

TA1410G Busbar built-in precision current transformer **YHDC** 1992[®]

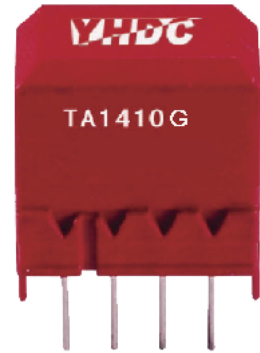
Characteristics:

Epoxy resin encapsulated, nanocrystalline, small size, fully enclosed, electrical load remote monitoring, as the input signal of the electronic control system, phase loss indication, electricity measurement, motor running state monitoring..

Product picture :(the printed words are for reference only, subject to the actual product)

Technical index:

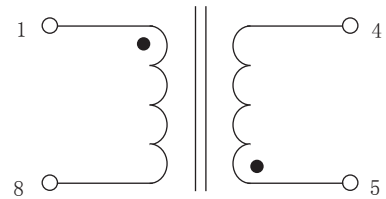
- Mounting type: PCB
- Material of core: Nanocrystalline
- Flame resistance: UL94-V0
- Applicable standards: GB20840-2014
- Operating temperature: -20°C~+70°C
- Storage temperature: -30°C~+80°C
- Frequency range: 20Hz-20KHz
- Dielectric strength: 3KV 50Hz 1min



Electrical parameters: (The following parameters are typical values and actual values will be subject to product testing)

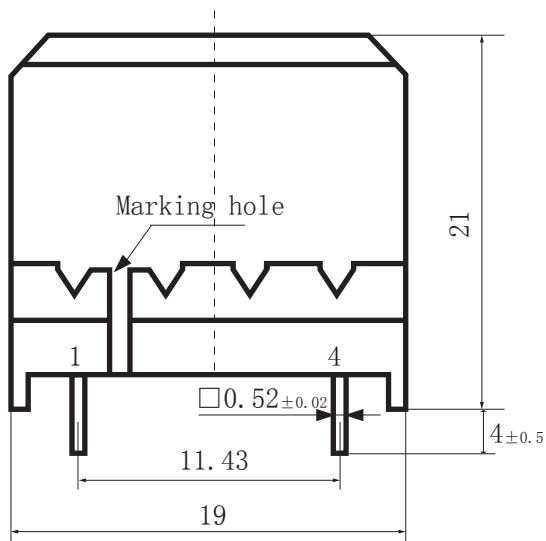
Model	TA1410G-01	TA1410G-02	TA1410G-03	TA1410G-04	TA1410G-05	Unit
Rated input	5	5	1	0.1	0.4	A
Rated output	5	2.5	5	2	5	mA
Turns ratio	1: 1000	1: 2000	5: 1000	10: 500	10: 800	
Linearity	≤0.2	≤0.2	≤0.2	≤0.2	≤0.2	%
Sampling resistance	100	400	200	200	200	Ω
Weight	8					g

Schematic diagram:

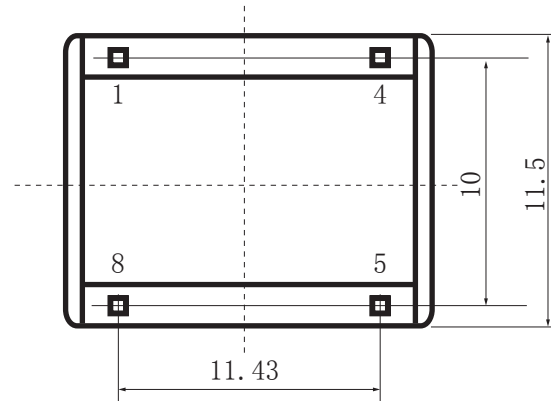


Secondary is not allowed to open circuit

Dimension (in mm±0.5) :



Front view



Bottom view