

Characteristics:

Epoxy resin encapsulated, small outline size,
fully enclosed, beautiful appearance.

Technical index:

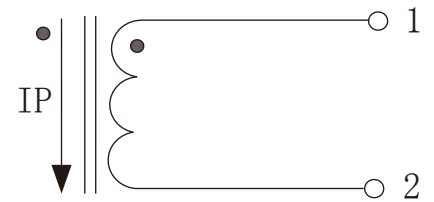
- Mounting type: PCB
- Material of core: Laminated silicon steel
- Flame resistance: UL94-V0
- Applicable standards: GB20840-2014
- Operating temperature: $-35^{\circ}\text{C} \sim +85^{\circ}\text{C}$
- Storage temperature: $-45^{\circ}\text{C} \sim +95^{\circ}\text{C}$
- Frequency range: 50Hz-60Hz
- Dielectric strength: $\geq 3.5\text{KV}$ 50Hz 1min



Electrical parameters: (The following parameters are typical values and actual values will be subject to product testing)

Model	TA1100	Unit
Rated input	100	A
Rated output	100	mA
Turns ratio	1: 1000	
Linearity	≤ 0.5	%
Sampling resistance	100	Ω
Weight	67	g

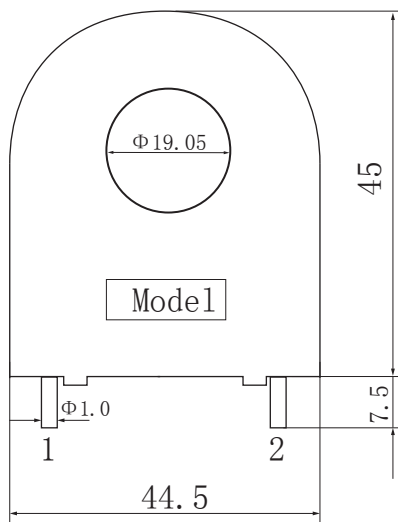
Schematic diagram:



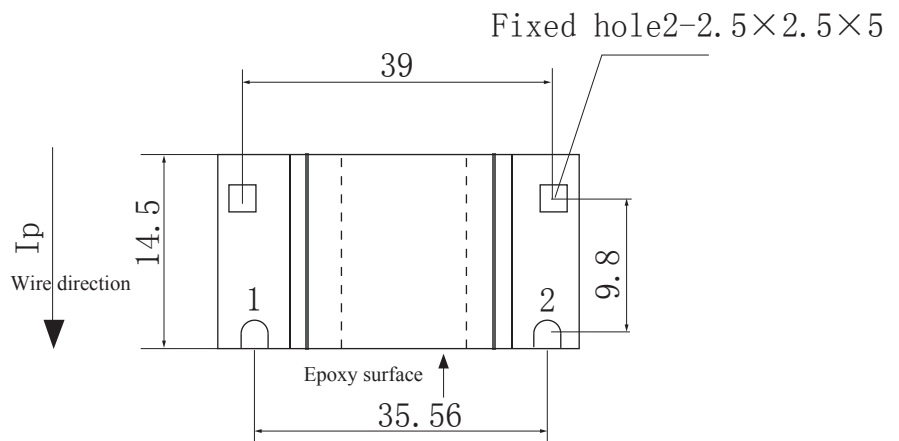
Current output type

The secondary is not allowed to open circuit

Dimensions (in mm ± 0.5):



Front view



Bottom view