

Characteristic:

Safety lock buckle, easy installation, cable output.

Product picture : (the printed words are for reference only, subject to the actual product)

Technical index:

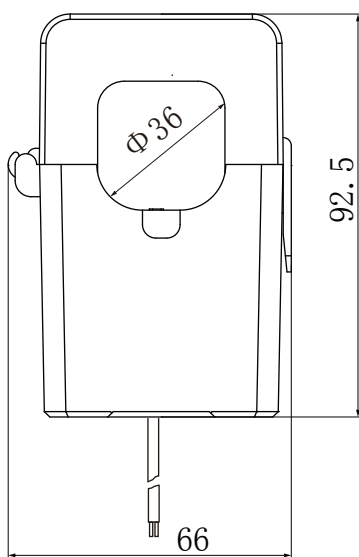
- Mounting type: Free hanging (In-Line)
- Material of core: Laminated Silicon Steel
- Applicable standards: GB20840-2014
- Operating temperature: -25℃ ~ +60℃
- Storage temperature: -30℃ ~ +90℃
- Frequency range: 50Hz-1KHz
- Dielectric strength: Input (bare conductor)/Output AC 800V/1min 50Hz
Output/housing AC 3.5KV/1min 50Hz



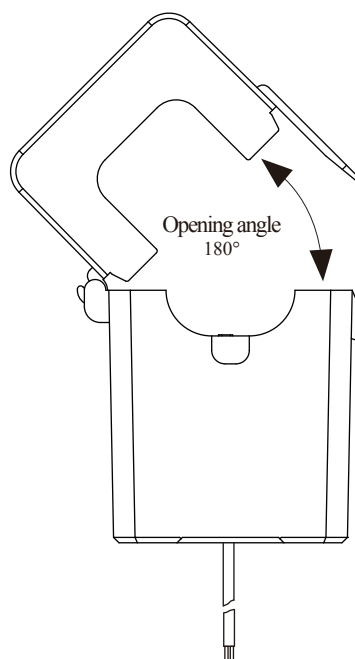
Electrical parameters: (The following parameters are typical values and actual values will be subject to product testing)

Input current	100	200	300	400	500	600	A	Specifications of cable: 2 x 0.2mm ² two core sheathed cable The length of cable: 100cm~105cm Voltage output type Secondary is not allowed to short circuit
Output voltage	0.333/1/3/5						V/AC	
Accuracy	1						%	
Weight	310						g	

Dimensions (in mm ± 0.5) :



Front view



Side view

