

SCT019 (mA output type)



Characteristics:

Safety lock buckle, easy installation.

Product picture printing is for reference only, subject to the actual product

Technical index:

Mounting type: Free hanging (In-Line)

Material of core: Permalloy

Applicable standards GB20840-2014

Operating temperature: $-25^{\circ}\text{C} \sim +70^{\circ}\text{C}$

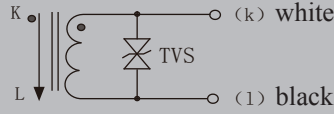
Storage temperature: $-40^{\circ}\text{C} \sim +85^{\circ}\text{C}$

Frequency range: 20Hz-1KHz

Dielectric strength: 3.5KV 50Hz 1min(enclosure/output)



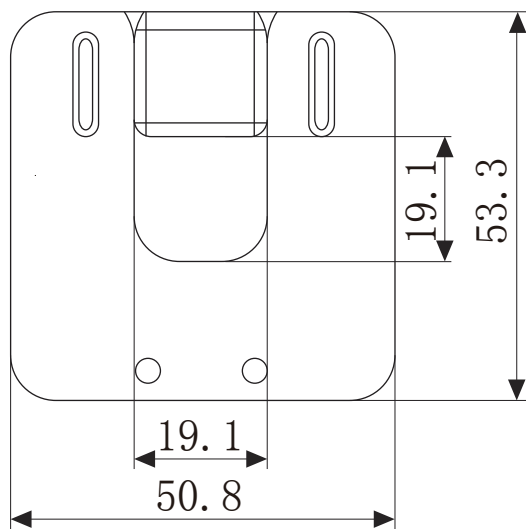
Electrical parameters: The following parameters are typical values. The actual values shall be subject to the actual measurement of the product

Rated input	100	200	A	Specifications of cable: 0.5mm ² black and white twisted pair The length of cable: 200cm~205cm 
Rated output	33	33	mA	
Turns ratio	1:3000	1:6000	-	
Sampling resistance	10	20	Ω	
Accuracy	0.5		%	
Weight	91		g	

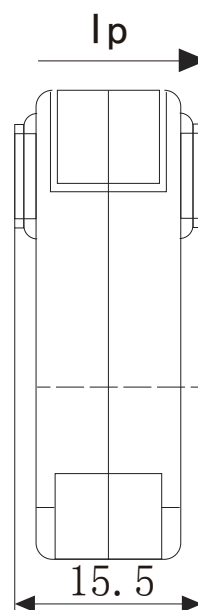
TVS Transient voltage suppressor(7.5V)
current output type.
Secondary is not allowed to open circuit

Dimensions (in mm \pm 0.5) :

Opening and closing mode: plug-type



Front view



Side view