

Characteristic:

Safety lock buckle, easy installation, cable output.

Product picture : (the printed words are for reference only, subject to the actual product)

Technical index:

Mounting type: Free hanging (In-Line)

Material of core: Ferrite

Applicable standards: GB20840-2014

Operating temperature: -25℃ ~ +60℃

Storage temperature: -30℃ ~ +90℃

Frequency range: 50Hz-1KHz

Dielectric strength: Input (bare conductor)/Output AC 800V/1min 50Hz

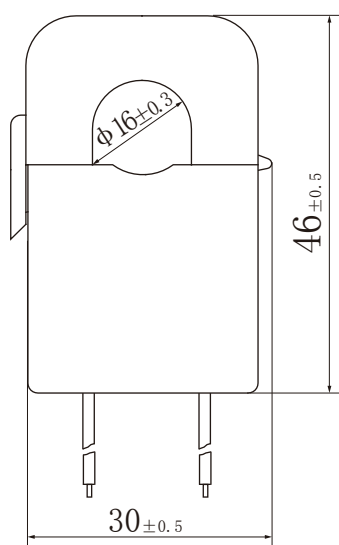
Output/housing AC 3.5KV/1min 50Hz



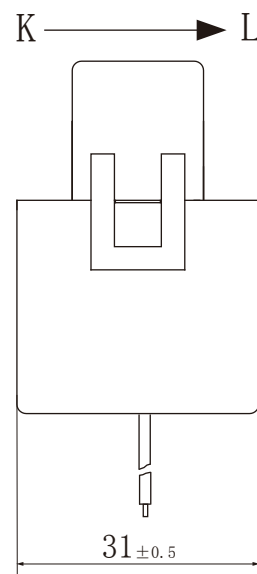
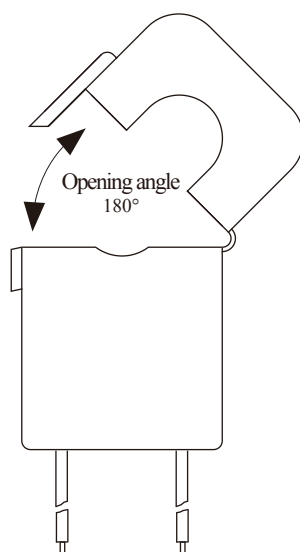
Electrical parameters: (The following parameters are typical values and actual values will be subject to product testing)

Rated input	10		50		100			120		A	Specifications of cable: 0.3mm ² black and white twisted pair The length of cable:50cm~55cm TVS: Transient Voltage Suppressor (7.5V) Current output type Secondary is not allowed to open circuit
Rated output	10	50	25	100	50	33	20	60	40	mA	
Turns ratio	1:1000	1:1000	1:2000	1:1000	1:2000	1:3000	1:5000	1:2000	1:3000	-	
Sampling resistance	10									Ω	
Accuracy	1									%	
Phase shift	≤ 184'									'	
Weight	70									g	

Dimensions (in mm ± 0.5) :



Front view



Side view