

**Characteristic:**

Safety lock buckle, easy installation, screw terminal output.

Product picture : (the printed words are for reference only, subject to the actual product)

**Technical index:**

Mounting type: Free hanging (In-Line)

Material of core: Ferrite

Applicable standards: GB20840-2014

Operating temperature: -25℃ ~ +60℃

Storage temperature: -30℃ ~ +90℃

Frequency range: 50Hz-1KHz

Dielectric strength: Input (bare conductor)/Output AC 800V/1min 50Hz

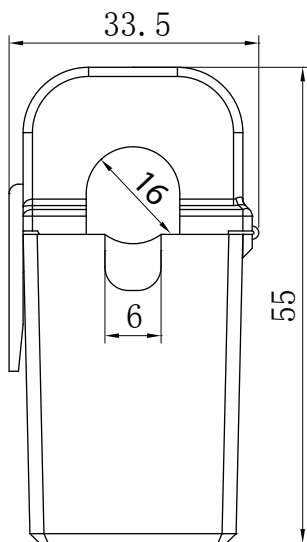
Output/housing AC 3.5KV/1min 50Hz



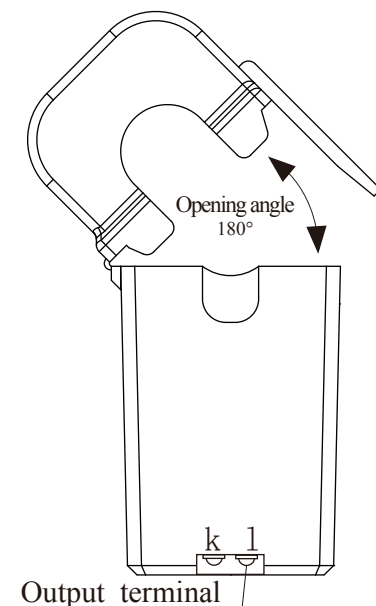
**Electrical parameters:** (The following parameters are typical values and actual values will be subject to product testing)

Rated input	10	30	50	80	100	120	A	<p>Voltage output type Secondary is not allowed to short circuit</p>
Rated output	0.333/1/3/5						V/AC	
Accuracy	1						%	
Phase shift	≤184'						'	
Weight	70						g	

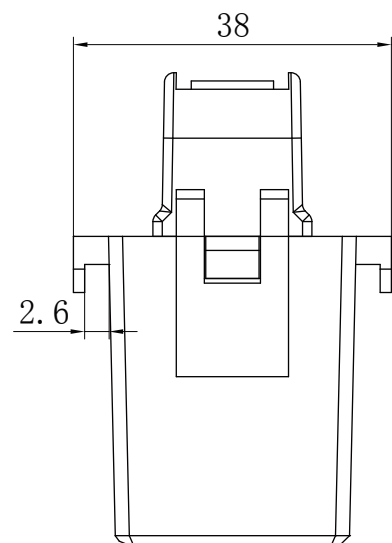
**Dimensions (in mm ± 0.5) :**



Front view



Output terminal



Side view