

Characteristic:

Safety lock buckle, easy installation, screw terminal output.

Product picture : (the printed words are for reference only, subject to the actual product)

Technical index:

Mounting type: Free hanging (In-Line)

Material of core: Ferrite

Applicable standards: GB20840-2014

Operating temperature: -25℃ ~ +60℃

Storage temperature: -30℃ ~ +90℃

Frequency range: 50Hz-1KHz

Dielectric strength: Input (bare conductor)/Output AC 800V/1min 50Hz

Output/housing AC 3.5KV/1min 50Hz

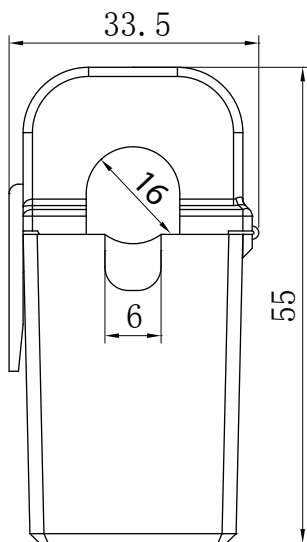


Electrical parameters: (The following parameters are typical values and actual values will be subject to product testing)

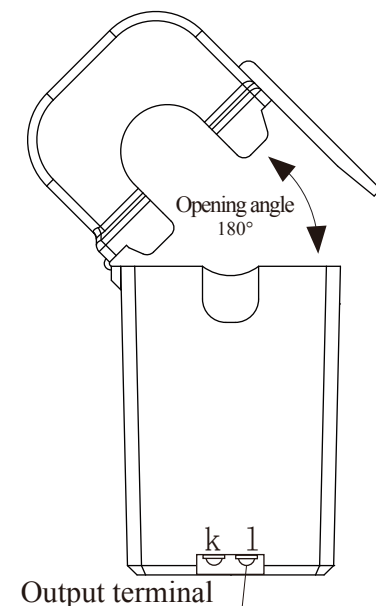
Rated input	10		50		100			120		A
Rated output	10	50	25	100	50	33	20	60	40	mA
Turns ratio	1:1000	1:1000	1:2000	1:1000	1:3000	1:3000	1:4000	1:2000	1:3000	-
Sampling resistance	10									Ω
Accuracy	1									%
Phase shift	≤ 184'									'
Weight	70									g

TVS: Transient Voltage Suppressor (7.5V)
Current output type
Secondary is not allowed to open circuit

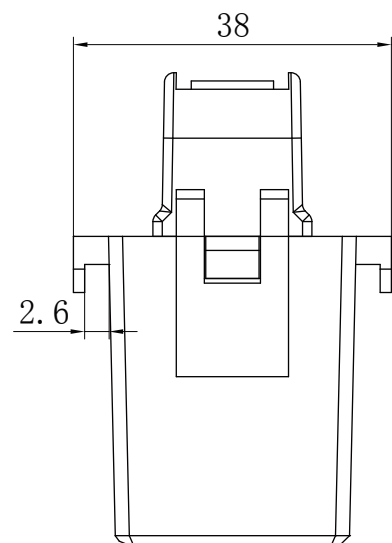
Dimensions (in mm ± 0.5) :



Front view



Output terminal



Side view