

Characteristic:

Safety lock buckle, easy installation, screw terminal output.

Product picture : (the printed words are for reference only, subject to the actual product)

Technical index:

Mounting type: Free hanging (In-Line)

Material of core: Laminated silicon steel

Applicable standards: GB20840-2014

Operating temperature: -25℃ ~ +60℃

Storage temperature: -30℃ ~ +90℃

Frequency range: 50Hz-60Hz

Dielectric strength: Input (bare conductor)/Output AC 800V/1min 50Hz

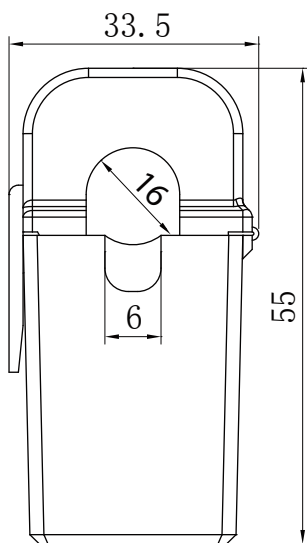
Output/housing AC 3.5KV/1min 50Hz



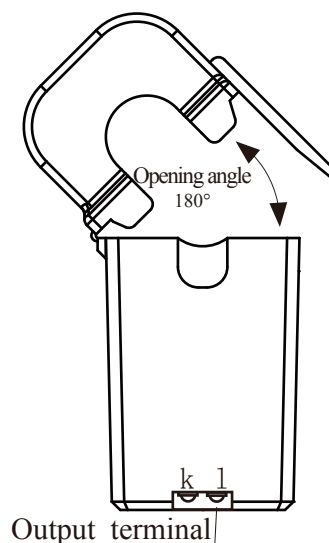
Electrical parameters: (The following parameters are typical values and actual values will be subject to product testing)

Rated input	50	100	120	150		160	A	
Rated output	100	100	40	100	50	40	mA	
Turns ratio	1:500	1:1000	1:3000	1:1500	1:3000	1:4000	-	
Sampling resistance	10						Ω	
Accuracy	1						%	
Weight	70						g	

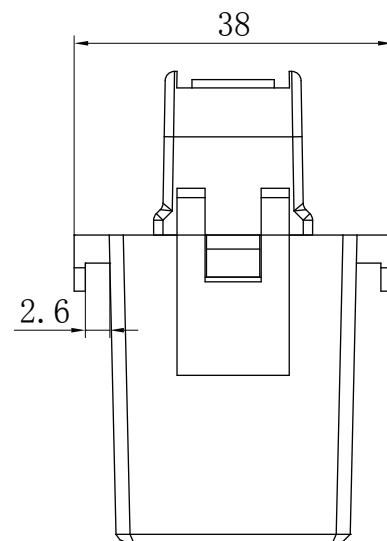
Dimensions (in mm ± 0.5) :



Front view



Output terminal



Side view