

Characteristic:

Safety lock buckle, easy installation, screw terminal output.

Product picture : (the printed words are for reference only, subject to the actual product)

Technical index:

Mounting type: Free hanging (In-Line)

Material of core: Laminated silicon steel

Applicable standards: GB20840-2014

Operating temperature: $-25^{\circ}\text{C} \sim +60^{\circ}\text{C}$

Storage temperature: $-30^{\circ}\text{C} \sim +90^{\circ}\text{C}$

Frequency range: 50Hz-60Hz

Dielectric strength: Input (bare conductor)/Output AC 800V/1min 50Hz

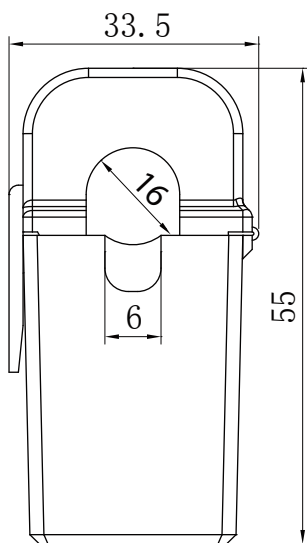
Output/housing AC 3.5KV/1min 50Hz



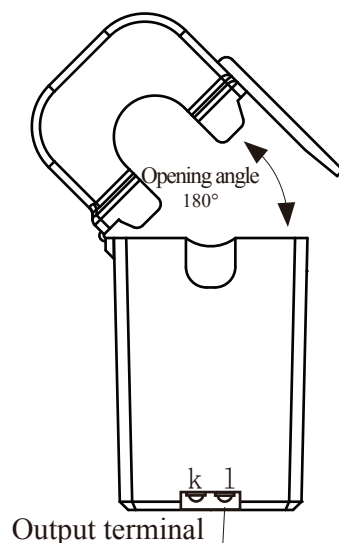
Electrical parameters: (The following parameters are typical values and actual values will be subject to product testing)

Rated input	50	100	150	A	<p>Voltage output type Secondary is not allowed to short circuit</p>
Rated output	0.333/1/3/5			V/AC	
Accuracy	1			%	
Weight	70			g	

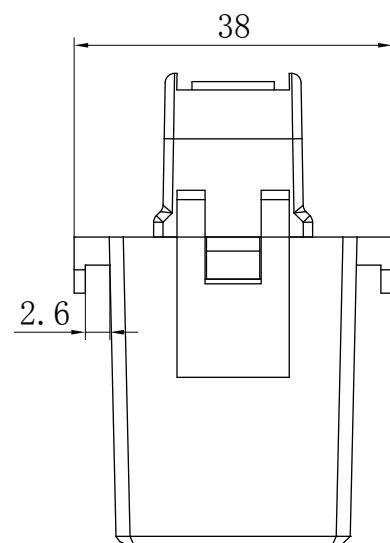
Dimensions (in mm ± 0.5):



Front view



Output terminal



Side view