

SCT016T-D



Characteristic:

Safety lock clasp, easy to install,
Built-in rectifier, Crimping terminal output

Typical technical index:

Installation method: Suspended type
Material of core—Ferrite
Execution standard: GB20840-2014
Operating temperature: $-25^{\circ}\text{C} \sim +60^{\circ}\text{C}$
Storage temperature: $-30^{\circ}\text{C} \sim +90^{\circ}\text{C}$
Frequency range: 50Hz-1KHz
Dielectric strength: 3.5KV 50Hz 1min

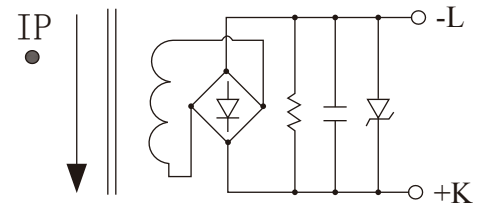
Product picture : (the printed words are for reference only, subject to the actual product)



Electrical parameters: (The following parameters are typical values and actual values will be subject to product testing)

Input current	30	50	60	80	100	A
Output voltage	1/3/5					V/DC
Accuracy	2					%
Sampling resistor	built-in					Ω
Weight	70					g

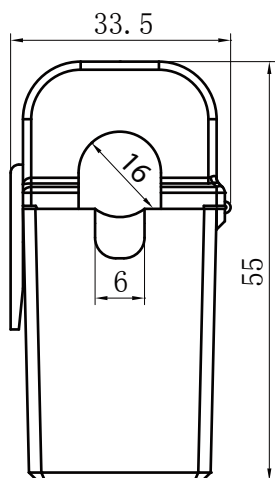
Wiring schematic diagram:



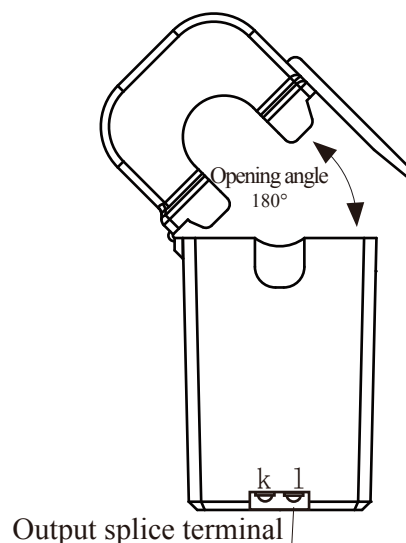
Voltage output type

Secondary are not allowed to short circuit

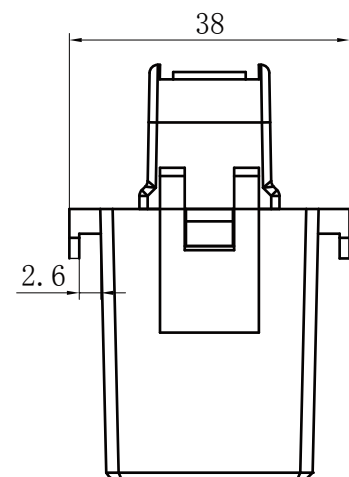
Dimensions (in mm ± 0.5) :



Front view



Output splice terminal



Side view