

Characteristic:

Safety lock clasp, easy installation,
Built-in rectifier, cable output.

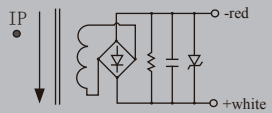
Technical index:

Mounting type: Free hanging (In-Line)
Material of core: Ferrite
Applicable standards: GB20840-2014
Operating temperature: -25 °C ~ +70 °C
Storage temperature: -30 °C ~ +90 °C
Frequency range: 50Hz-1KHz
Dielectric strength: Input (bare conductor)/Output AC 800V/1min 50Hz
Output/housing AC 3.5KV/1min 50Hz

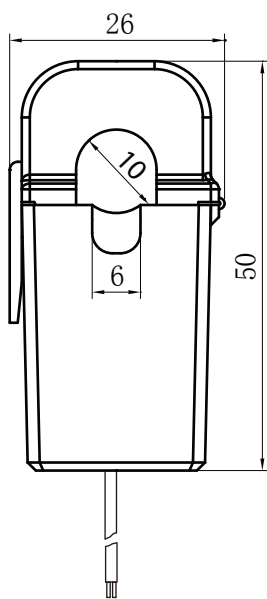
Product picture : (the printed words are for reference only, subject to the actual product)



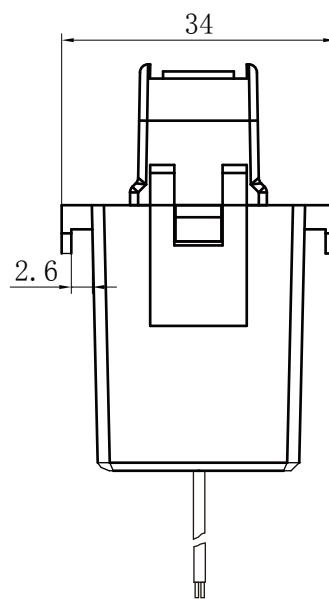
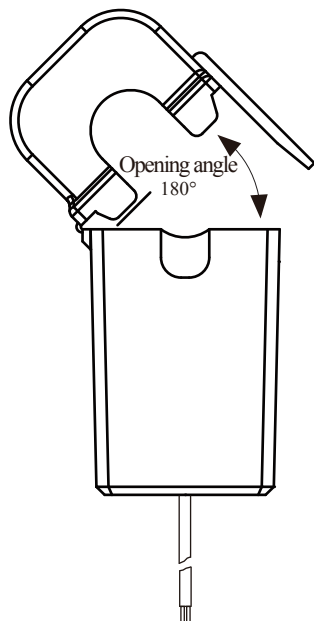
Electrical parameters : (The following parameters are typical values and actual values will be subject to product testing)

Rated input	30	50	60	80	100	A	Specifications of cable: 2 x 0.2mm ² two core sheathed cable The length of cable: 100cm~105cm  Voltage output type Secondary are not allowed to short circuit
Rated output	1/3/5					V/DC	
Accuracy	2					%	
Phase shift	≤ 184'					'	
Weight	70					g	

Dimensions (in mm ± 0.5) :



Front view



Side view

