

SCT013-RJ45



Characteristic:

Safety lock buckle, easy installation, cable output

Product picture printing is for reference only, subject to the actual product

Technical index:

Mounting type: Free hanging (In-Line)

Material of core: Ferrite

Applicable standards: GB20840-2014

Operating temperature: -25°C ~ +60°C

Storage temperature: -30°C ~ +90°C

Frequency range: 50Hz-1KHz

Dielectric strength: Input (bare conductor)/Output AC 800V/1min 50Hz

Output/Housing AC 3.5KV/1min 50Hz

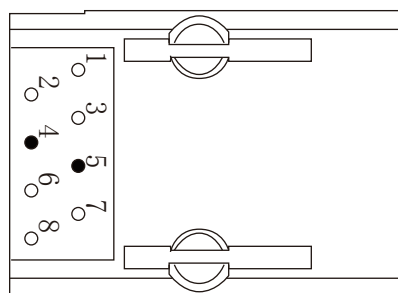


Electrical parameters: The following parameters are typical values. The actual values shall be subject to the actual measurement of the product

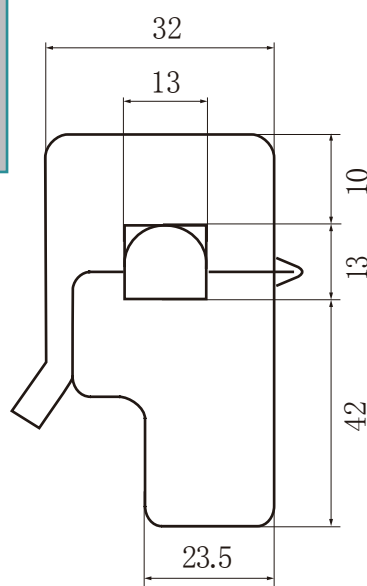
Rated input	5A	10A	15A	20A	25A	30A	50A	60A	100A	A	<p>Voltage output type The secondary is not allowed to short circuit</p>
Rated output	0.333/1									V	
Accuracy	1									%	
Weight	50g									g	

Rated input	100A	A	<p>TVS: Transient Voltage Suppressor (7.5V) Current output type The secondary is not allowed to open circuit</p>
Rated output	50	mA	
Turns ratio	1:2000	-	
Sampling resistance	10	Ω	
Accuracy	1	%	
Weight	50g	g	

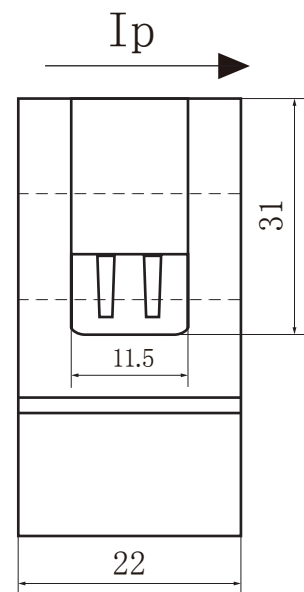
Dimensions(in mm±0.5) :



Interface terminal diagram



Front view



Side view

