

### Characteristic:

Safety lock buckle, easy installation, screw terminal output.

Product picture : (the printed words are for reference only, subject to the actual product)

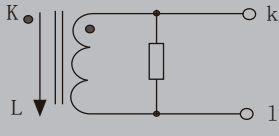
### Technical index:

- Mounting type: Free hanging (In-Line)
- Material of core: Ferrite
- Applicable standards: GB20840-2014
- Operating temperature:  $-25^{\circ}\text{C} \sim +60^{\circ}\text{C}$
- Storage temperature:  $-30^{\circ}\text{C} \sim +90^{\circ}\text{C}$
- Frequency range: 50Hz-1KHz
- Dielectric strength: Input (bare conductor)/Output AC 800V/1min 50Hz  
Output/housing AC 3.5KV/1min 50Hz



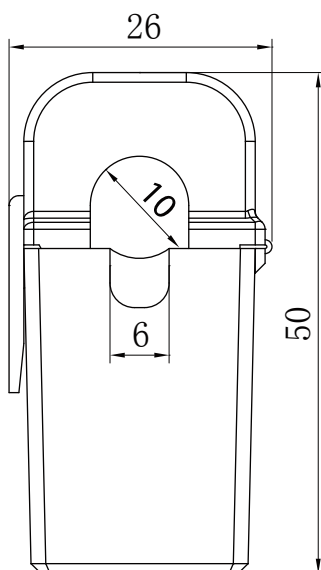
**Electrical parameters:** (The following parameters are typical values and actual values will be subject to product testing)

Rated input	10	20	30	50	60	80	A
Rated output	0.333/1/3/5						V/AC
Accuracy	1						%
Phase shift	$\leq 184'$						'
Weight	45						g

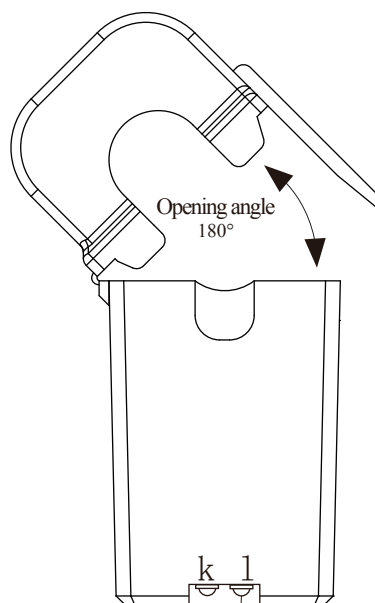


Voltage output type  
Secondary is not allowed to short circuit

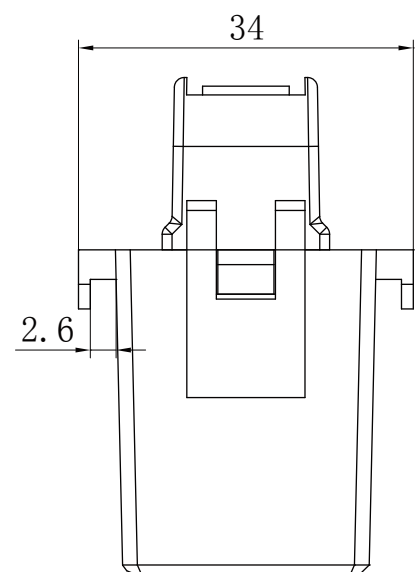
### Dimensions (in mm $\pm 0.5$ ):



Front view



Output terminal



Side view