

### Characteristic:

Safety lock buckle, easy installation, built-in rectifier, screw terminal output.

### Technical index:

- Mounting type: Free hanging (In-Line)
- Material of core: Ferrite
- Applicable standards: GB20840-2014
- Operating temperature:  $-25^{\circ}\text{C} \sim +60^{\circ}\text{C}$
- Storage temperature:  $-30^{\circ}\text{C} \sim +90^{\circ}\text{C}$
- Frequency range: 50Hz-1KHz
- Dielectric strength: Input (bare conductor)/Output AC 800V/1min 50Hz  
Output/housing AC 3.5KV/1min 50Hz

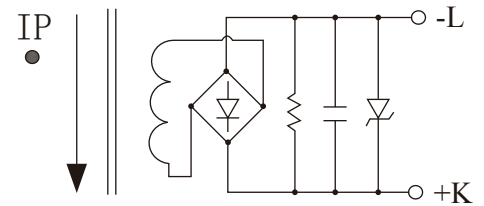
Product picture : (the printed words are for reference only, subject to the actual product)



Electrical parameters : (The following parameters are typical values and actual values will be subject to product testing)

Rated input	5	10	20	30	50	A
Rated output	1/3/5					V/DC
Accuracy	2					%
Phase shift	$\leq 184'$					'
Weight	45					g

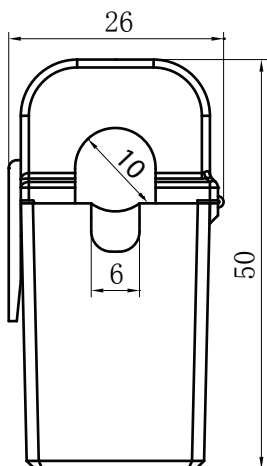
### Schematic diagram:



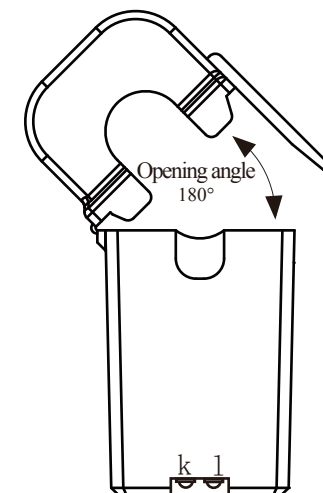
Voltage output type

Secondary is not allowed to short circuit

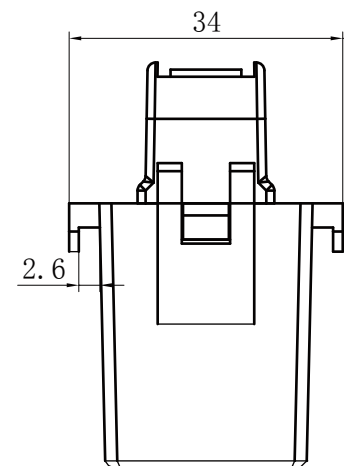
### Dimensions (in mm $\pm 0.5$ ) :



Front view



Output terminal



Side view