

Characteristic:

Safety lock buckle, easy installation, cable output.

Product picture : (the printed words are for reference only, subject to the actual product)

Technical index:

Mounting type: Free hanging (In-Line)

Material of core: Ferrite

Applicable standards: GB20840-2014

Operating temperature: -25 °C ~ +60 °C

Storage temperature: -30 °C ~ +90 °C

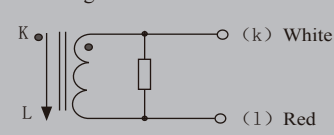
Frequency range: 50Hz-1KHz

Dielectric strength: Input (bare conductor)/Output AC 800V/1min 50Hz

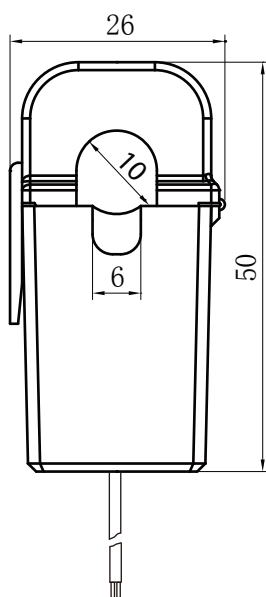
Output/housing AC 3.5KV/1min 50Hz



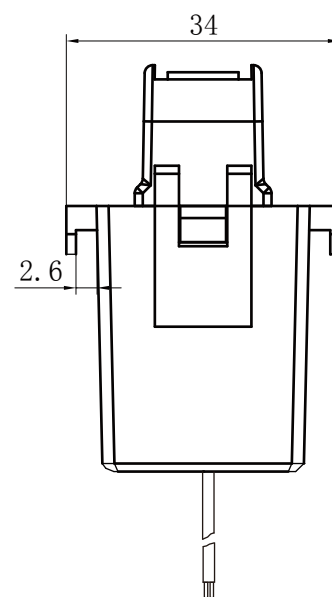
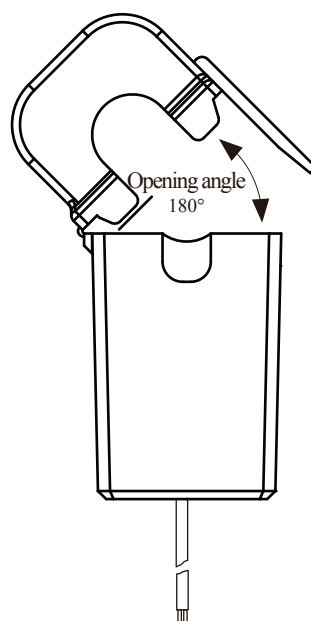
Electrical parameters: (The following parameters are typical values and actual values will be subject to product testing)

Rated input	10	20	30	50	60	80	A	Specifications of cable: 2 x 0.2mm ² two core sheathed cable The length of cable: 100cm~105cm  Voltage output type Secondary is not allowed to short circuit
Rated output	0.333/1/3/5						V/AC	
Accuracy	1						%	
Phase shift	≤ 184'						'	
Weight	45						g	

Dimensions (in mm ± 0.5) :



Front view



Side view

