

Characteristic:

Safety lock buckle, easy installation, cable output.

Product picture :(the printed words are for reference only, subject to the actual product)

Technical index:

Mounting type: Free hanging (In-Line)

Material of core: Ferrite

Applicable standards: GB20840-2014

Operating temperature: -25 °C ~ +60 °C

Storage temperature: -30 °C ~ +90 °C

Frequency range: 50Hz-1KHz

Dielectric strength: Input (bare conductor)/Output AC 800V/1min 50Hz

Output/housing AC 3.5KV/1min 50Hz



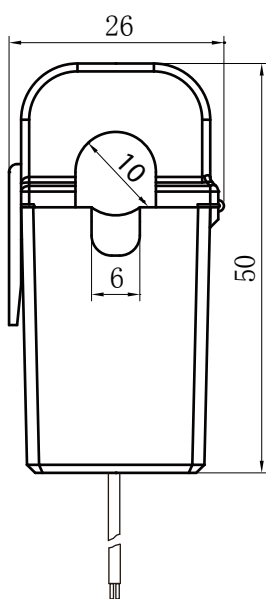
Electrical parameters: (The following parameters are typical values and actual values will be subject to product testing)

Rated input	5	10	20	30	50	A
Rated output	1/3/5					V/ DC
Accuracy	2					%
Phase shift	≤184'					'
Weight	45					g

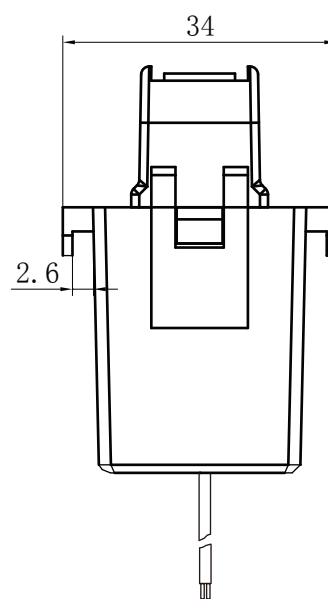
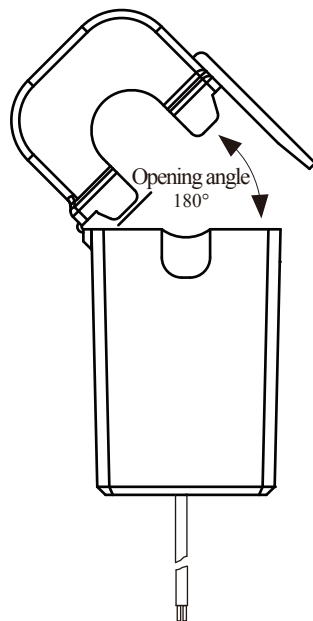
Specifications of cable:
2 x 0.2mm² two core sheathed cable
The length of cable: 100cm~105cm

Voltage output type
Secondary is not allowed to short circuit

Dimensions (in mm ± 0.5) :



Front view



Side view

