

Split core current transmitter



QT series

Built-in converter

Supply voltage: 9~24V DC

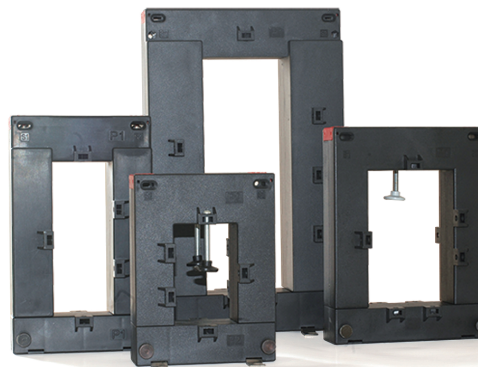
Primary current: 5~5000A AC

Secondary current: 4~20mA DC

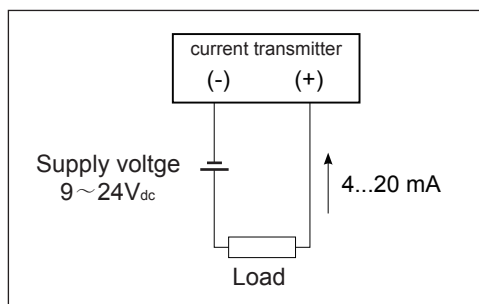
Busbar dimensions: 20×30~81×221

Application:

4 to 20mA output that is linear to the primary input current.
 Direct interface with automatic control equipment or PLC.
 The current transmitter can be directly installed on the primary busbar.



Schematic diagram:



Technical index:

Operating temperature: -10°C ~ +50°C

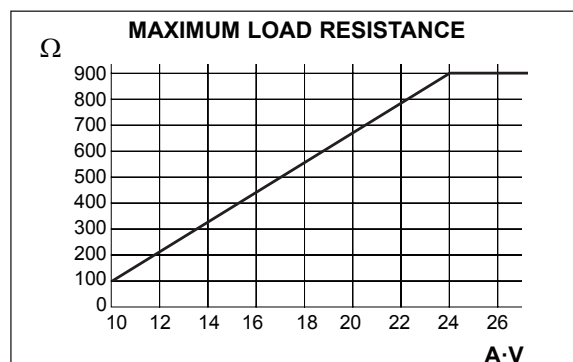
Overloads (at room temperature): 1.5 in permanent

Accuracy: ±1.5% reading (between 5... 110 %)

Frequency: 50 / 60 Hz

Rated voltage : 0.72KV ac

Graph:



Dimensions (in mm):

Front view

Side view

Sub-plate mounting footing dimension

Model	A	B	C	D	E	F	G	H
TST6040QT	42	62	75	114	140	52	70	36
TST8050QT	51	81	77.5	115	154	36	54	32
TST8080QT	81	81	107.5	145	154	36	54	32
TST12080QT	80.5	121.8	108	145.5	192.5	36	54	32.5
TST16080QT	81	161.5	112	185	245.2	52	70	52
TST13050QT	51	131	81.5	121	203	48	66	35
TST22080QT	81	221	112	185	305	52	70	52
Tolerance	±0.5	±0.5	±0.5	±1	±1	±0.3	±0.3	±0.3