

# LN202 Common mode choke



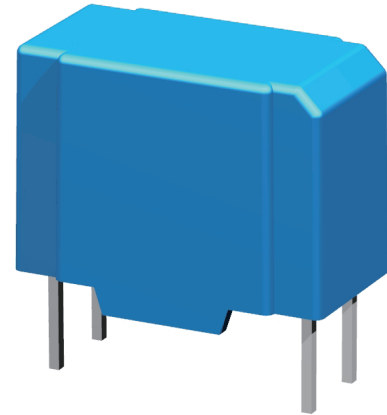
## Characteristic:

It is used for switching power supply, suppressing common mode interference signal.

## Technical index:

- Mounting type: PCB
- Flame resistance: UL94-V0
- Operating temperature:  $-20^{\circ}\text{C} \sim +100^{\circ}\text{C}$
- Storage temperature:  $-20^{\circ}\text{C} \sim +100^{\circ}\text{C}$
- Operating voltage: 250V
- Inrush current: 20 times the rated current (10 ms)
- Dielectric strength: 1.5KV/1min (between two coils)  
4KV/1min (between coil&shell)

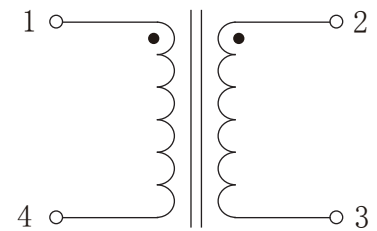
Product picture : (the printed words are for reference only, subject to the actual product)



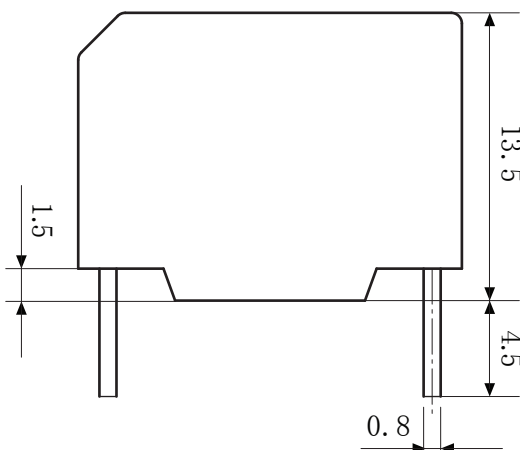
Electrical parameters : (The following parameters are typical values and actual values will be subject to product testing)

Model	LN202 -0.3	LN202 -0.6	LN202 -1	LN202 -1.5	LN202 -2	Unit
Rated current	0.3	0.6	1	1.5	2	A
Inductance	12	4.4	3	1.6	1.1	mH
DC resistance	1275	385	205	100	70	mΩ
Inductance error	-30% ~ +50%					%
Inductance test conditions	10KHz, 0.3V					
Weight						g

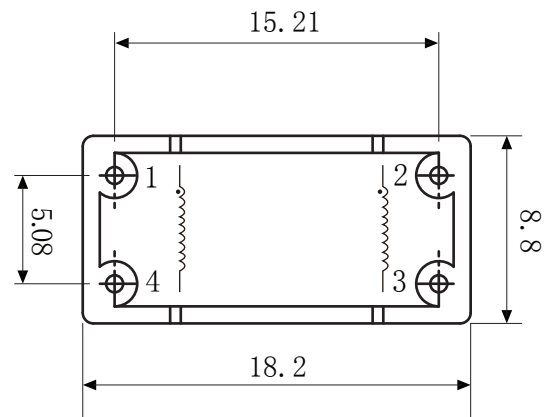
## Schematic diagram:



## Dimensions (in mm ± 0.5) :



Front view



Bottom view