

LN113 common mode choke



Characteristic:

It is used for switching power supply, suppressing common mode interference signal.

Product picture : (the printed words are for reference only, subject to the actual product)

Technical index:

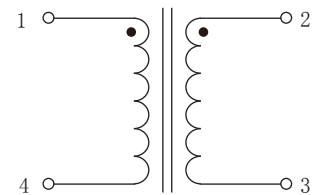
- Mounting type: PCB
- Flame resistance: UL94-V0
- Operating temperature: $-20^{\circ}\text{C} \sim +100^{\circ}\text{C}$
- Storage temperature: $-20^{\circ}\text{C} \sim +100^{\circ}\text{C}$
- Operating voltage: 250V
- Inrush current: 20 times the rated current (10 ms)
- Dielectric strength: 1.5KV/1min (between two coils)
4KV/1min (between coil&shell)



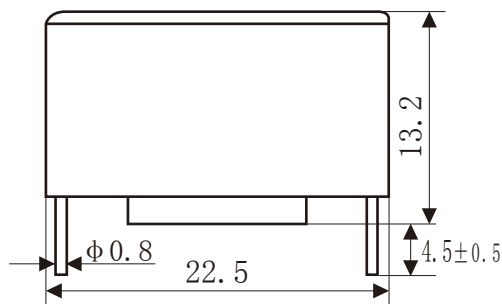
Electrical parameters: (The following parameters are typical values and actual values will be subject to product testing)

Model	LN113 -0.5	LN113 -1	LN113 -1.5	LN113 -2.5	Unit
Rated current	0.5	1	1.5	2.5	A
Inductance	30	20	10	6	mH
Inductance error	-30% ~ +50%				%
Inductance test conditions	100Hz, 0.3V				
Weight	9				g

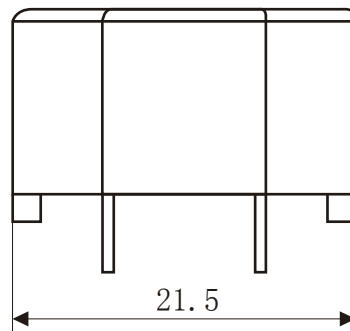
Schematic diagram:



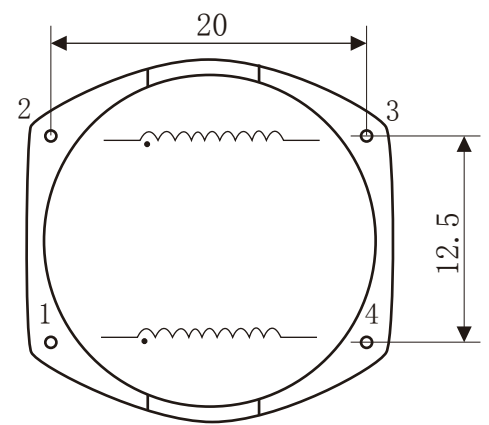
Dimensions (in mm ± 0.5):



Front view



Side view



Bottom view