

LB3 series common mode choke



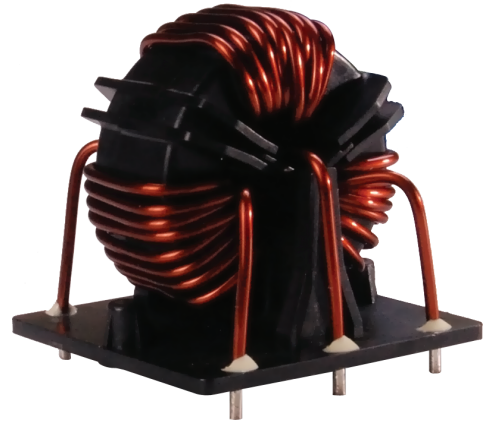
Model:LB231-16-13H

Characteristics:

It is used for switching power supply, suppressing common mode interference signal.

Technical index:

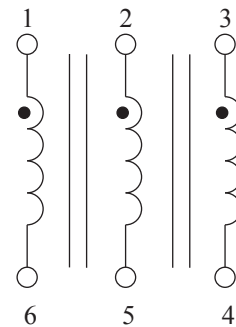
- Installation method: PCB
- Flame resistance: UL94-V0
- Operating temperature: -20°C ~ +100°C
- Storage temperature: -40°C ~ +100°C
- Frequency range: DC ~ 400Hz
- Dielectric strength: 2.5KV/1min (between two coils)



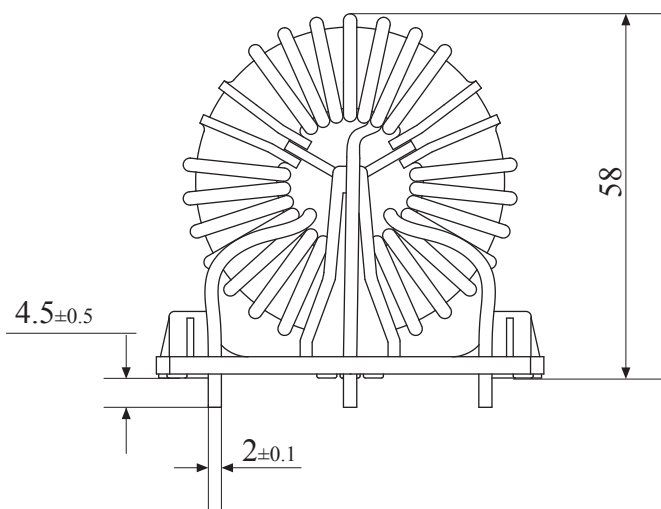
Electrical parameters:

Rated current	16	A
Inductance 1KHz,0.3V	1.3	mH
Inductance error	-30 ~ +50	%
DC resistance	5.7	mΩ
Maximum operating voltage	600V AC 1000V DC	
Weight	167	g

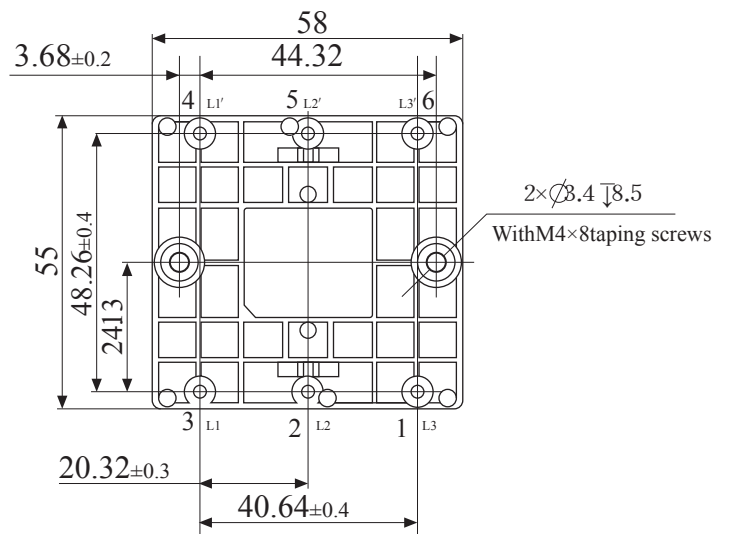
Schematic wiring diagram:



Dimensions(in mm):



Front View



Bottom View