

Characteristics:

Suitable for 2000A SCR pulse train trigger.

Technical index:

Mounting type: PCB

Flame resistance : UL94-V0

Operation temperature: -20℃ ~ +50℃

Storage temperature: -30℃ ~ +85℃

Frequency range: 1KHz~50KHz

Dielectric strength: Pri/Sec 5KV 50Hz 1min

Sec/Sec 500V 50Hz 1min

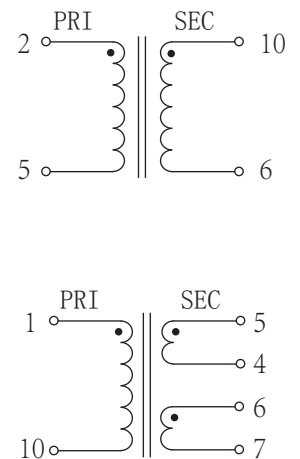
Product picture print for reference only,
subject to the actual product



Electrical parameters: (The following parameters are typical values and actual values will be subject to product testing)

Project	Parameter	Model	KMB418-101S	KMB418-201S	KMB418-301S	KMB418-111S	KMB418-211S	KMB418-311S	Unit
	Vout microsecond integral		1200	2250	3600	1200	2250	3120	μvs
	Input pulse amplitude		8	15	24	8	15	24	V
	Output pulse amplitude		≥4.6	≥5.8	≥6.4	≥4.6×2	≥5.6×2	≥6×2	V
	Turns ratio		1:1	2:1	3:1	1:1:1	2:1:1	3:1:1	
	Load resistance		7	7	7	7	7	7	Ω
	Duty ratio		1:2	1:2	1:2	1:2	1:2	1:2	
	Pulse width		150	150	150	150	150	130	μs
	Leading edge time		≤5	≤5	≤5	≤5	≤5	≤5	μs
	Max. operating voltage of main circuit		660	660	660	660	660	660	V
	Weight		43g	43g	43g	43g	43g	43g	g

Schematic diagram:



Dimensions (in mm±0.5) :

