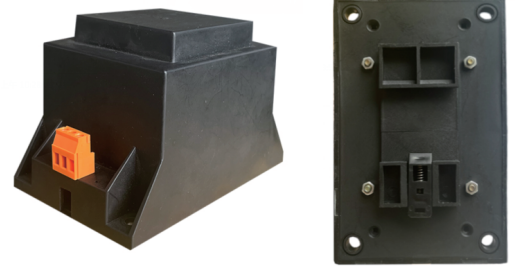


## Characteristics:

1. Vacuum epoxy resin encapsulated, 100 °C/6 hours high temperature aging, long working life 20 years and with high dielectric strength.
2. High quality H18 laminated silicon steel, low temperature rise, high efficiency.
3. PBT engineering plastic, environmental protection, flame retardant, no deformation at 120 °C
4. Reasonable structure, convenient installation, low noise, strong seismic, sealed waterproof, moisture-proof

Product picture print for reference only, subject to the actual product



## Technical index:

Mounting type: Din-rail mounting  
 Flame resistance : UL94-V0  
 Insulation class: B  
 Operation temperature: -30 °C ~+40 °C  
 Work frequency: 50Hz~60Hz  
 Dielectric strength: Pri/Sec 3.5KV 50Hz 1min 5mA  
 Sec 500V 50Hz 1min 5mA

## Standard output parameters table:

(Ex-factory to full-load voltage shall prevail)

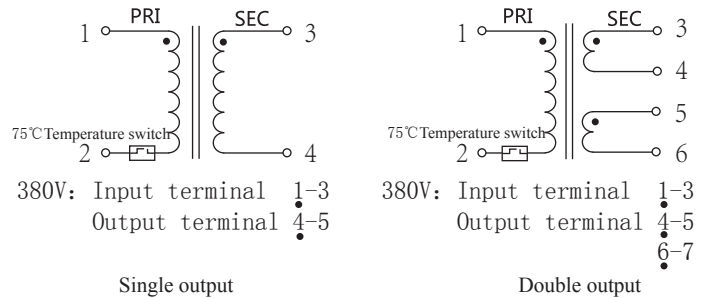
Secondary output voltage		Secondary no-load voltage		Secondary full-load current	
Single	Double	Single	Double	Single	Double
7.5V	2×7.5V	8.25V	2×8.25V	13.33A	2×6.66A
9V	2×9V	9.9V	2×9.9V	11.11A	2×5.55A
12V	2×12V	13.2V	2×13.2V	8.33A	2×4.16A
15V	2×15V	16.5V	2×16.5V	6.66A	2×3.33A
18V	2×18V	19.8V	2×19.8V	5.55A	2×2.77A
24V	2×24V	26.4V	2×26.4V	4.16A	2×2.08A

## Electrical parameters:

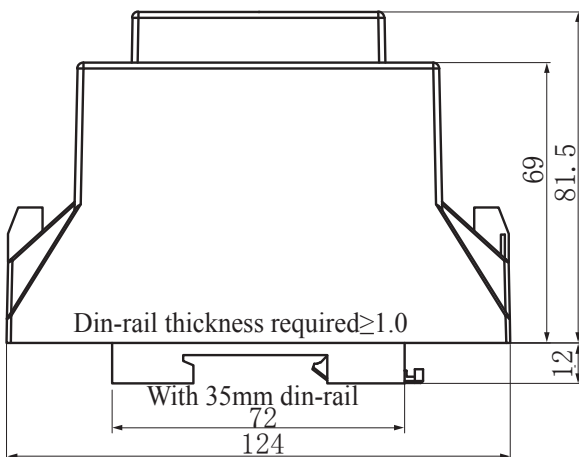
The following parameters are typical values. The actual values shall be subject to the actual measurement of the product.

Primary operating voltage	110V	220V	230V	380V	Unit
Primary voltage range	± 10				%
(Output) Power	100				VA
Voltage regulation	≤ 10				%
Temperature rise	≤ 40				°C
No-load loss	≤ 3.5				W
Weight	1.8				Kg

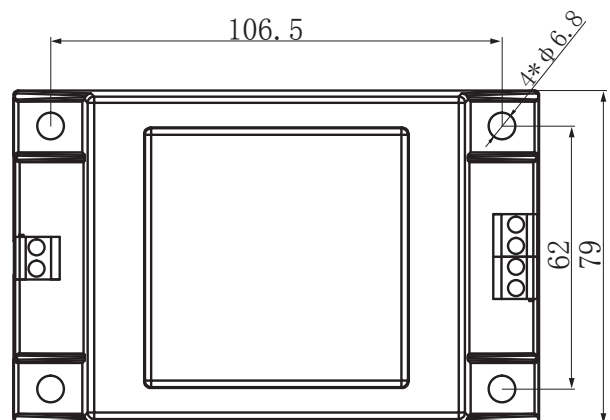
## Schematic diagram:



## Dimensions (in mm±0.5)

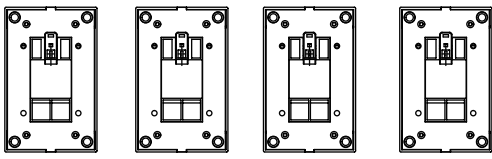


Front view

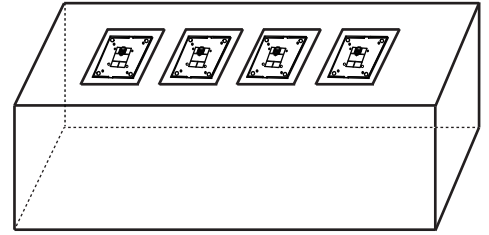


Top view

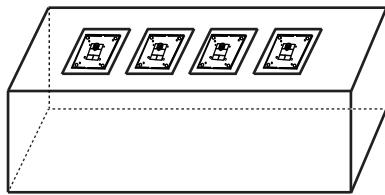
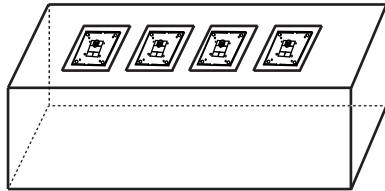
# Package



4 pieces/plate



Place the product bottom side up into the pearl cotton groove



2 plates/carton

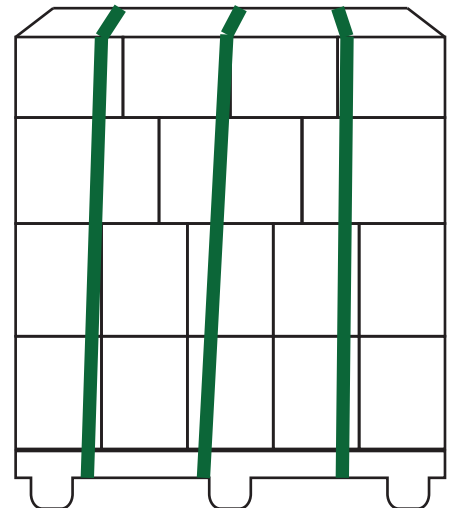


Put two plates into carton

44 cartons/pallet



Package	Each	Approx. 1.8Kg	1PCS
	Each plate	Approx. 7.5Kg	4PCS
	Each carton	Approx. 15.5Kg	8PCS
	Each pallet	Approx. 695Kg	352PCS



Load 44 cartons into pallet

Note: The above packaging (large volume) is for reference only, the actual packaging is subject to production and delivery.