

HKW22E



Detect DC, AC and pulse current, High insulation between primary side and the vice side circuit.

Product picture : (the printed words are for reference only, subject to the actual product)

Product application

- Metallurgical
- Welding machine
- Robot
- Inverter power supply
- Variable frequency governor
- Uninterrupted power supply and communication power supply

Product application

- Light weight
- Low power consumption
- No insertion loss
- Fast response time
- Small size and beautiful appearance
- PCB installation, easy to use



Electrical parameters: (The following parameters are typical values and actual values will be subject to product testing)

Rated input	400A
Input measurement range	≥532A
Rated output	$V_{ref} + 1.5V \pm 0.035V$ ①
Accuracy	1%
Linearity	1%
Power supply voltage	+5V±0.1V
Consumption current	≤16mA
Load impedance	≥10KΩ
Offset voltage	$V_{ref} \pm 30mV$ ②
Response time	≤5μs
Weight	56g
Operating temperature	-10 ~ +70 °C
Storage temperature	-25 ~ +70 °C
Band width	DC~10KHz
Insulation resistance	2.5KV 50Hz 1min

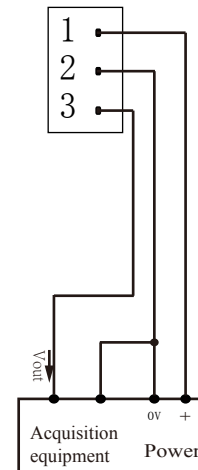
Remarks:

- ① $V_{ref} = V_{cc}/2$
- ② Offset voltage value is after removal of core hysteresis

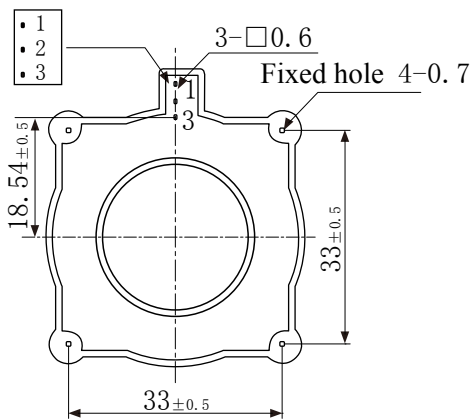
Pin definition:

- 1: V+
- 2: 0V
- 3: Vout

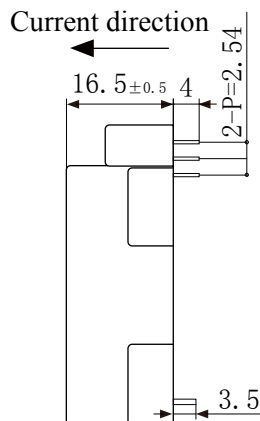
Wiring diagram:



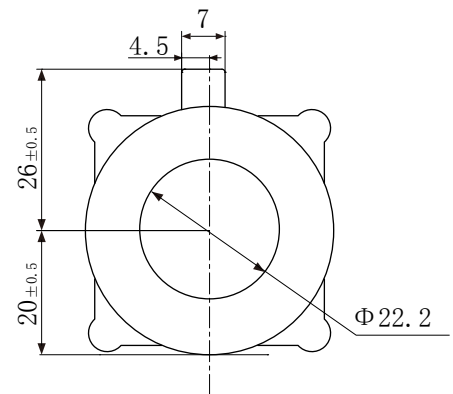
Dimensions(in mm±0.5) :



Bottom view



Side view



Top view