

Product characteristics:

Plug-in terminal output, plate installation, wrong wiring will cause product damage, measure the DC and AC pulse current, output in a linear relationship with the primary detection current, the output signal can directly enter the automatic control equipment or PLC port.

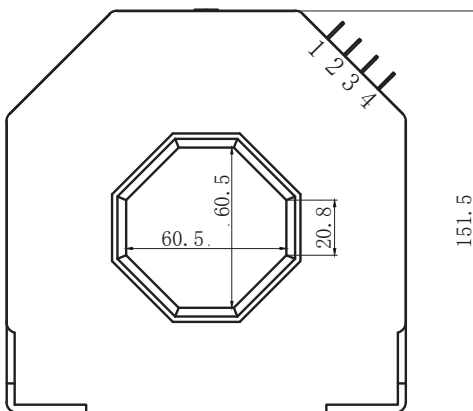
Technical index:

Flame resistance: UL94-V0
 Working temperature: $-10^{\circ}\text{C} \sim +70^{\circ}\text{C}$
 Storage temperature: $-25^{\circ}\text{C} \sim +70^{\circ}\text{C}$
 Dielectric strength: 6KV 50Hz 1min

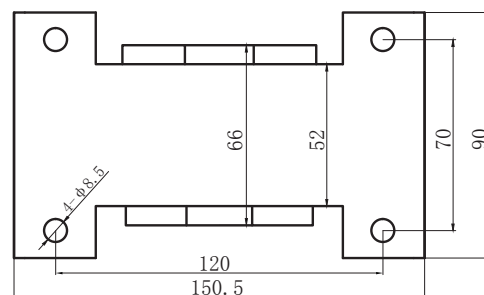
Electrical parameters: The following parameters are typical values. The actual values shall be subject to the actual measurement of the product

I_{Pn} Rated input	± 2000	A
I_{PM} Input measurement range	$\pm 3500 (@V_c = \pm 24V)$	A
I_{OUT} Rated output	± 500	mA
X Accuracy	± 0.5	%
ϵ_L Linearity	± 0.1	%
V_c Supply voltage ($\pm 5\%$)	$\pm 15 \sim \pm 24$	V
I_c Current consumption	≤ 28	mA + I _s
R_L Load impedance	> 5	Ω
I_{OE} Zero offset TA=25 C	$\leq \pm 1$	mA
T_R Response time	≤ 1	μs
BW Band width	DC~100	KHz
N.W Weight	1.8	Kg

Dimensions(in mm ± 0.5) :

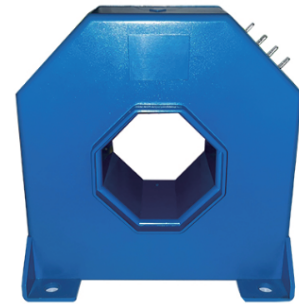


Front view

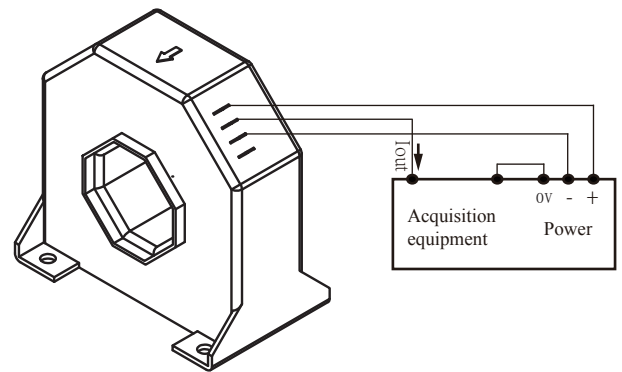


Bottom view

Product picture printing is for reference only, subject to the actual product



Wiring diagram :



Terminal definition:

1. V+
2. M
3. V-
4. N. C

※Detection:

- ① Choose the auxiliary power supply with small ripple ($\leq 20\text{mV}$)
- ② Switch on auxiliary power
- ③ The auxiliary power is connected to the sensor
- ④ The sensor detects the primary current