

D4615



Characteristics:

It is used to drive IGBT, MOS pipe and transmit high-frequency signal isolation.

Technical Index:

Installation method: PCB

Flame resistance : UL94-V0

Operation temperature: -20℃ ~ +50℃

Storage temperature: -30℃ ~ +85℃

Work frequency: 15KHz~200KHz

Dielectric strength: Pri/Sec 3KV 50Hz 1min

Sec/Sec 500V 50Hz 1min

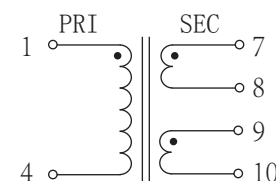
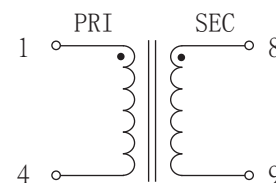
Product picture print for reference only, subject to the actual product



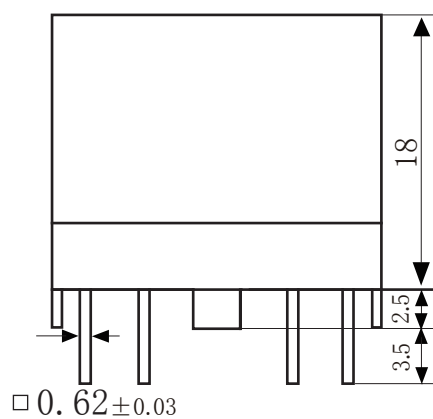
Schematic Diagram :

Electrical parameters: (The following parameters are typical values and actual values will be subject to product testing)

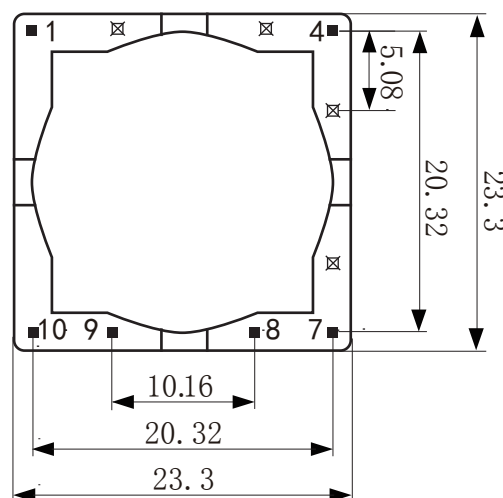
| Project | Model Parameter | D4615 | D4615 | D4615 | D4615 | D4615 | D4615 | Unit |
|--------------------------------|-----------------|-------|-------|-------|---------|-------|-------|------|
| | | -101 | -201 | -301 | -111 | -211 | -311 | |
| Vout microsecond integral | | 480 | 480 | 480 | 480 | 480 | 480 | μvs |
| Input pulse amplitude | | 15 | 20 | 30 | 15 | 20 | 30 | V |
| Output pulse amplitude | | ≥13.4 | ≥8 | ≥8 | ≥13.4×2 | ≥8×2 | ≥8×2 | V |
| Turns ratio | | 1:1 | 2:1 | 3:1 | 1:1:1 | 2:1:1 | 3:1:1 | |
| Load resistance | | 20 | 20 | 20 | 20 | 20 | 20 | Ω |
| duty ratio | | 1:2 | 1:2 | 1:2 | 1:2 | 1:2 | 1:2 | |
| Pulse width | | 30 | 24 | 16 | 30 | 24 | 16 | μs |
| Leading edge time | | ≤0.1 | ≤0.1 | ≤0.1 | ≤0.1 | ≤0.1 | ≤0.1 | μs |
| Main circuit operating voltage | | 500 | 500 | 500 | 500 | 500 | 500 | V |
| Weight | | 20 | 20 | 20 | 20 | 20 | 20 | g |



Dimensions (in mm±0.5) :



Front view



Bottom View