

Characteristics:

It is used to drive IGBT, MOS pipe and transmit high-frequency signal isolation.

Technical Index:

- Installation method: PCB
- Flame resistance : UL94-V0
- Operation temperature: $-20^{\circ}\text{C} \sim +50^{\circ}\text{C}$
- Storage temperature: $-30^{\circ}\text{C} \sim +85^{\circ}\text{C}$
- Work frequency: $50\text{KHz} \sim 200\text{KHz}$
- Dielectric strength: Pri/Sec 1.5KV 50Hz 1min
Sec/Sec 500V 50Hz 1min

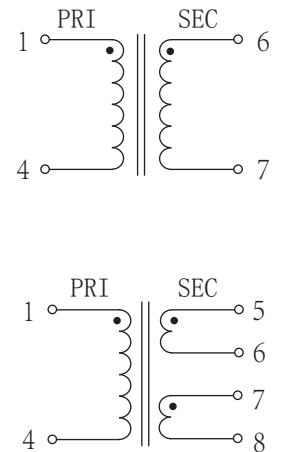
Product picture print for reference only,
subject to the actual product



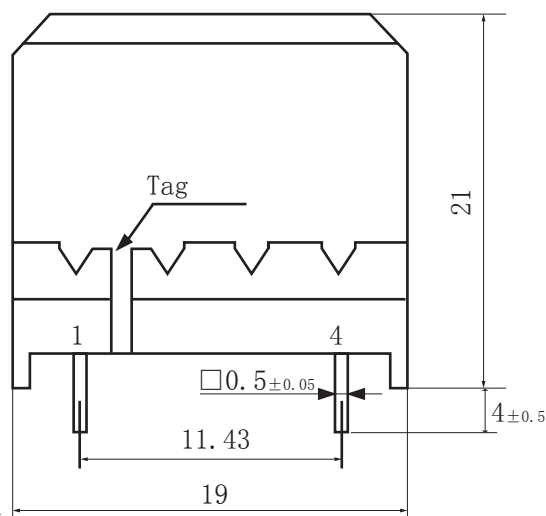
Schematic Diagram :

Electrical parameters: (The following parameters are typical values and actual values will be subject to product testing)

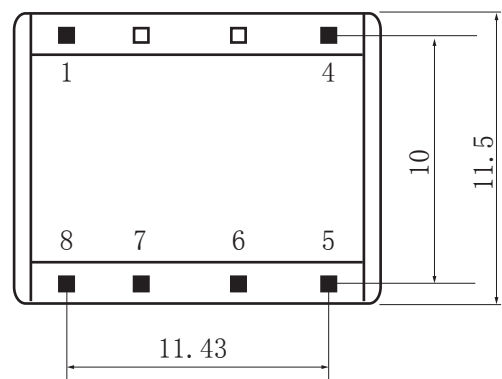
Project	Model Parameter	D432	D432	D432	D432	D432	D432	Unit
		-101	-201	-301	-111	-211	-311	
Vout microsecond integral		75	100	150	75	100	150	μvs
Input pulse amplitude		15	20	30	15	20	30	V
Output pulse amplitude		≥ 14.6	≥ 9.6	≥ 9	$\geq 14.6 \times 2$	$\geq 9.6 \times 2$	$\geq 9 \times 2$	V
Turns ratio		1:1	2:1	3:1	1:1:1	2:1:1	3:1:1	
Load resistance		100	100	100	100	100	100	Ω
duty ratio		1:2	1:2	1:2	1:2	1:2	1:2	
Pulse width		5	5	5	5	5	5	μs
Leading edge time		≤ 0.2	≤ 0.2	≤ 0.2	≤ 0.2	≤ 0.2	≤ 0.2	μs
Main circuit operating voltage		380	380	380	380	380	380	V
Weight		7	7	7	7	7	7	g



Dimensions (in $\text{mm} \pm 0.5$) :



Front view



Bottom View