

### Characteristics:

Used for IGBT, MOS tube drive and high frequency signal isolation transmission.

### Technical index:

Mounting type: PCB

Flame resistance : UL94-V0

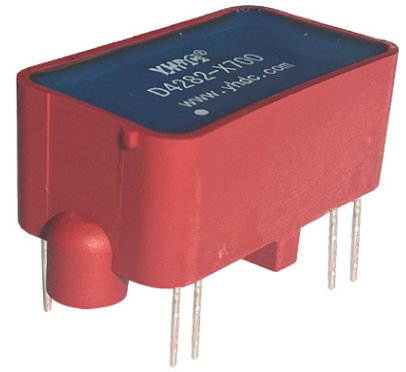
Operation temperature: -40°C ~ +85°C

Storage temperature: -40°C ~ +85°C

Work frequency: 10KHz ~ 100KHz

Dielectric strength: Pri./Sec. 4.5KV 50Hz 1min 5mA,

Sec./Sec 500V 50Hz 1min 5mA

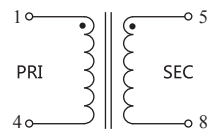


### Electrical parameters: ( The following parameters are typical values and actual values will be subject to product testing )

Item	Model						Unit
	D4282-101	D4282-201	D4282-301	D4282-111	D4282-211	D4282-311	
Volt microsecond product	1000	1000	1000	1000	1000	1000	μVs
Input pulse amplitude	15	20	30	15	20	30	V
Output pulse amplitude	≥12	≥8	≥8	≥12×2	≥8×2	≥8×2	V
Turns ratio	1:1	2:1	3:1	1:1:1	2:1:1	3:1:1	
Load resistance	20	20	20	20	20	20	Ω
Duty ratio D=1:2	1:2	1:2	1:2	1:2	1:2	1:2	
Pulse width	66	50	33	66	50	33	μs
Leading edge time	≤1	≤1	≤1	≤1	≤1	≤1	μs
Max.operating voltage of the main circuit	500	500	500	500	500	500	V
Weight	44	44	44	44	44	44	g

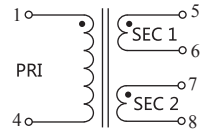
### Schematic diagram:

Single output



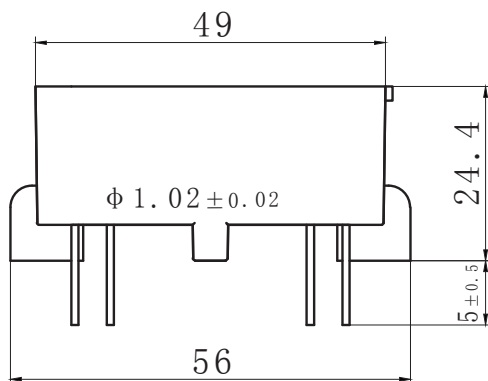
No needles in the rest of the position

Double output

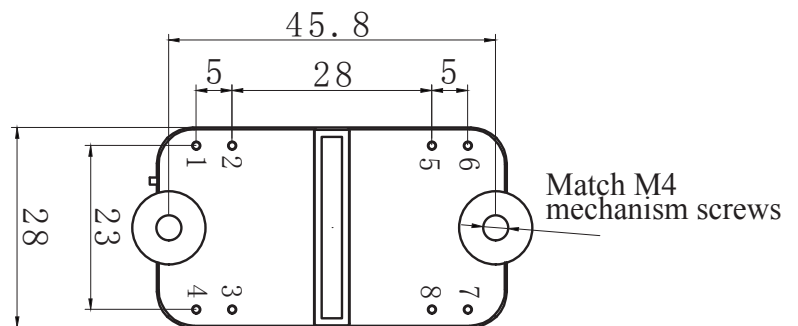


No needles in the rest of the position

### Dimension (in mm±0.5) :



Front view



Bottom view