

Characteristics:

It is used to drive IGBT, MOS pipe and transmit high-frequency signal isolation.

Technical Index:

Installation method: PCB

Flame resistance : UL94-V0

Operation temperature: $-20^{\circ}\text{C} \sim +50^{\circ}\text{C}$

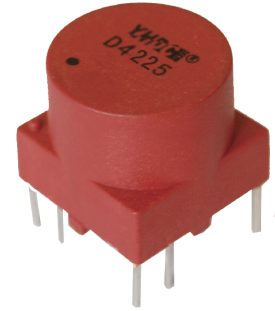
Storage temperature: $-30^{\circ}\text{C} \sim +85^{\circ}\text{C}$

Work frequency: 10KHz~100KHz

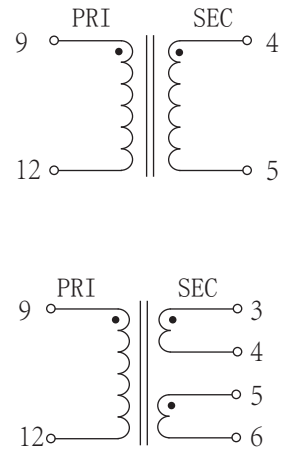
Dielectric strength: Pri/Sec 4.5KV 50Hz 1min

Sec/Sec 500V 50Hz 1min

Product picture print for reference only,
subject to the actual product



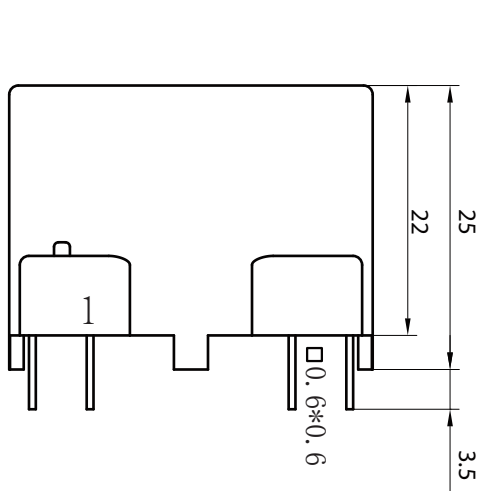
Schematic Diagram:



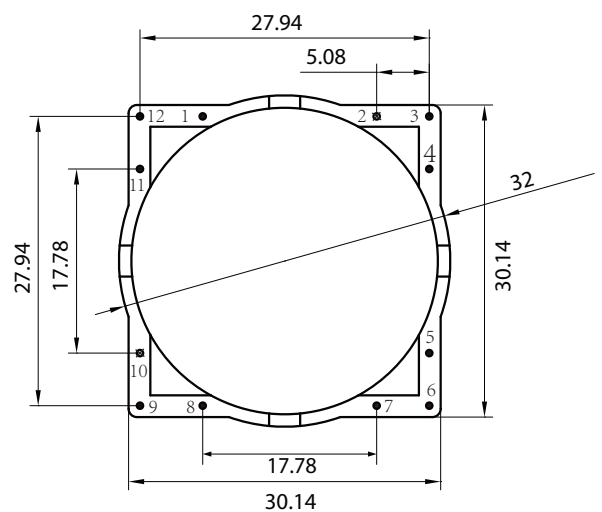
Electrical parameters: (The following parameters are typical values and actual values will be subject to product testing)

Project	Model Parameter	D4225	D4225	D4225	D4225	D4225	D4225	Unit
		-101	-201	-301	-111	-211	-311	
	Vout microsecond integral	1000	1000	1000	1000	1000	1000	μvs
	Input pulse amplitude	15	20	30	15	20	30	V
	Output pulse amplitude	≥ 13	≥ 8	≥ 8	$\geq 13 \times 2$	$\geq 8 \times 2$	$\geq 8 \times 2$	V
	Turns ratio	1:1	2:1	3:1	1:1:1	2:1:1	3:1:1	
	Load resistance	10	10	10	10	10	10	Ω
	duty ratio	1:2	1:2	1:2	1:2	1:2	1:2	
	Pulse width	66	50	33	66	50	33	μs
	Leading edge time	≤ 0.5	≤ 0.5	≤ 0.5	≤ 0.5	≤ 0.5	≤ 0.5	μs
	Main circuit operating voltage	500	500	500	500	500	500	V
	Weight	49	49	49	49	49	49	g

Dimensions (in $\text{mm} \pm 0.5$) :



Front view



Bottom View