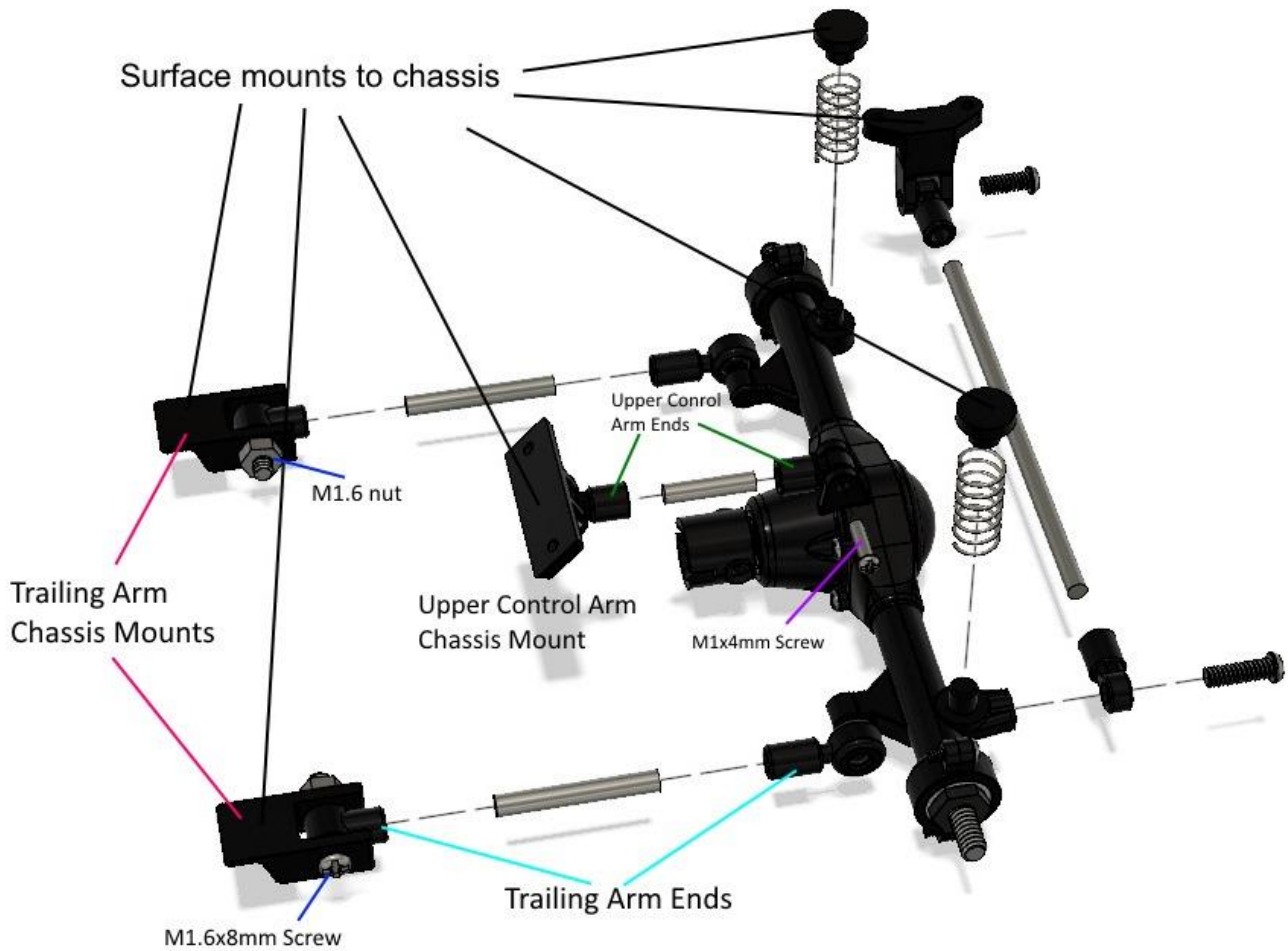
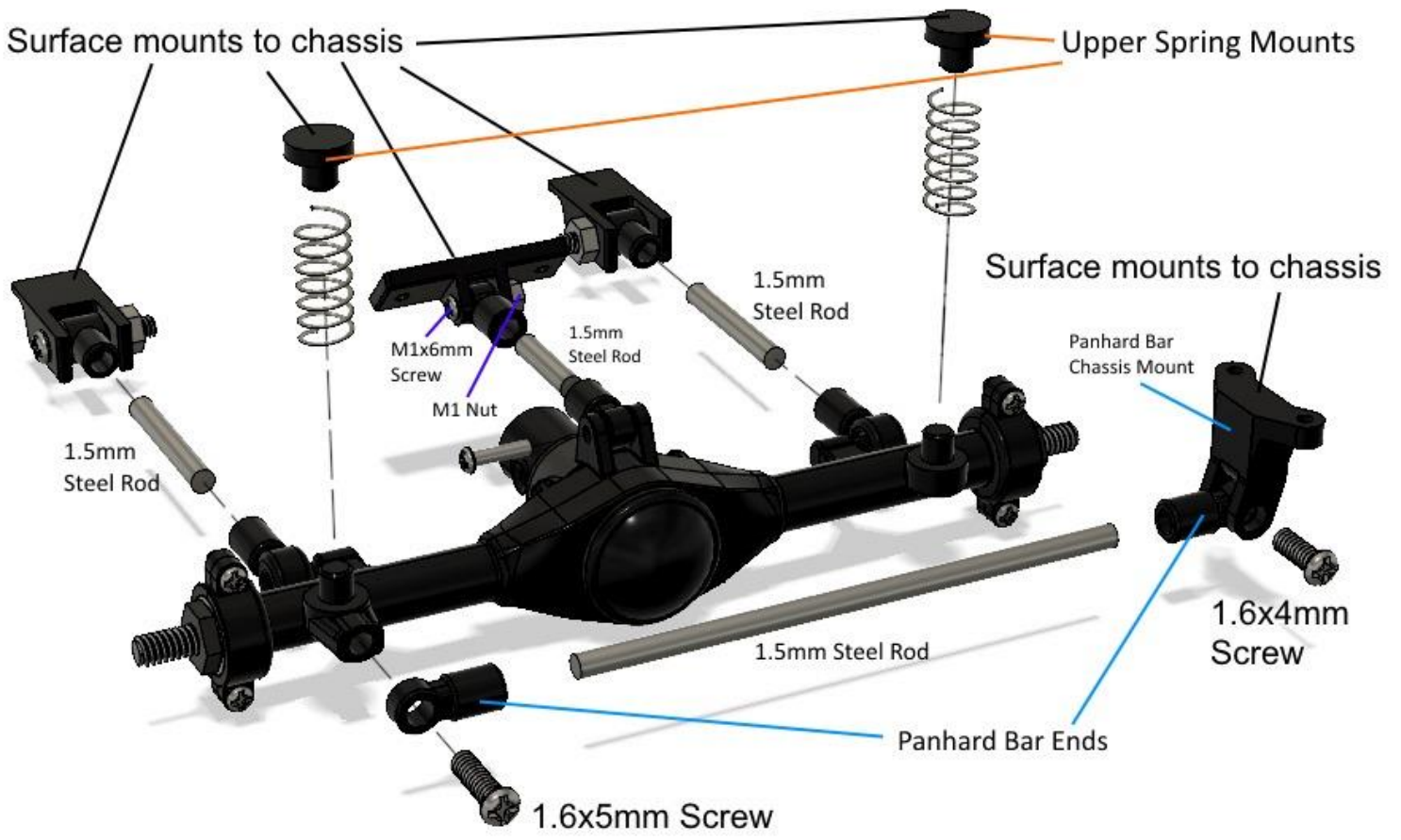


# MA10 Axle 3 Link Suspension Diagram



Panhard bar chassis mount and upper control arm chassis mount can be secured with M1 hardware. Other chassis mounts can be secured with glue.

Coil springs must have an inner diameter of at least 2.7mm.

Springs either need to be glued to both the mount and axle to prevent the axle from dropping too low or a limiting strap or similar component needs to be installed to prevent the axle from dropping.

1.5mm rods may need to be cut to desired length and glued to ends depending on the kit.