



# LIFELITE™

NON-LETHAL PERSONAL DEFENSE LAUNCHER

POWERFUL  
PERSONAL  
PROTECTION™



USER MANUAL



## TABLE OF CONTENTS

# LIFELITE™

## NON-LETHAL PERSONAL DEFENSE LAUNCHER

WARNINGS AND SAFETY .....	PAGE 3
OPERATIONAL INSTRUCTIONS.....	PAGE 7
LANYARD AND SAFETY PIN .....	PAGE 8
BATTERY INSTALLATION .....	PAGE 9
CHARGING RECHARGEABLE BATTERIES.....	PAGE 10
LOADING/REPLACING CO <sub>2</sub> CARTRIDGES.....	PAGE 11
LOADING PROJECTILES.....	PAGE 12
FIRING THE LIFELITE™ .....	PAGE 13
LASER ADJUSTMENT.....	PAGE 14
CLEANING AND MAINTENANCE .....	PAGE 15
WARRANTY .....	PAGE 18
RETURN POLICY.....	PAGE 19



## WARNING

THIS LAUNCHER IS NOT A TOY AND IS INTENDED FOR SELF-DEFENSE ONLY. THIS PRODUCT LAUNCHES PROJECTILES FROM THE BARREL. MISUSE MAY CAUSE SERIOUS INJURY OR DEATH. IMPROPER USE COULD ALSO RESULT IN CRIMINAL PROSECUTION, FINES, IMPRISONMENT, AS WELL AS CIVIL LIABILITY. EXCEPT WHEN THE LAUNCHER IS IN USE, ALWAYS MAKE SURE THAT THE TRIGGER SAFETY IS IN "SAFE MODE". SEE ADDITIONAL SAFETY GUIDELINES AND USER INSTRUCTIONS IN THIS MANUAL.

# WARNINGS AND SAFETY

## **Congratulations on your purchase of the PepperBall® Lifelite™ Launcher.**

This launcher has been designed and manufactured by United Tactical Systems, LLC (UTS) to be reliable, accurate and durable. When properly handled, the Lifelite will give many years of dependable service. Please take the time to read through this manual and become familiar with the Lifelite parts, operation, maintenance, and safety precautions before you attempt to load or fire this launcher.

By purchasing this launcher, you assume total responsibility for its safe and lawful use. You must observe the same safety precautions as you would with any firearm to ensure the safety of not only yourself, but everyone around you. The operator should use caution at all times when maintaining and firing this launcher.

## **LIMITATIONS AND USAGE**

There are some state or local limitations on purchase, possession, and use of the Lifelite. Verify local legal requirements in your state and city to ensure possession and use are proper. The user assumes the liability from unsafe or improper use or any action which constitutes a violation of any applicable law or regulation.

The Lifelite may be prohibited from certain premises, including government buildings, airports, courthouses, schools, or other public spaces. Possessing a Lifelite in a prohibited area may subject user to criminal liability.

### **WARNING: If misused, this PepperBall launcher is a dangerous weapon.**

The user assumes all liability from unsafe handling or any action that constitutes a violation of any applicable laws or regulations. UTS shall not be liable for personal injury, loss of property, or loss of life resulting from the use of this weapon under any circumstances, including any intentional, reckless, negligent or accidental discharges. By using this PepperBall launcher, you release UTS of any and all liability associated with its use.

All information in this manual is subject to change without notice. Please refer to [www.pepperball.com](http://www.pepperball.com) for the most up-to-date information about the use of this product. UTS reserves the right to make changes and improvements to products without incurring any obligation to incorporate such improvements in products previously sold.

### **IF YOU DO NOT ACCEPT LIABILITY, DO NOT USE THIS OR ANY PEPPERBALL LAUNCHER.**

**WARNING: This product contains chemicals known to the State of California to cause cancer and birth defects or other reproductive harm.**

## **SAFETY IS YOUR RESPONSIBILITY!**

The following safety information contains important warnings related to the proper use of the launcher, projectiles, and gas canisters. Do not load, discharge or otherwise use this launcher until you have completely read this manual and are familiar with its safety features, mechanical operation, and handling characteristics.

**USE WITH CAUTION:** This product may have the appearance of a deadly weapon, and may increase the risk of injury from third parties. Always be aware of your surroundings when using this product.



## SAFETY

### LAUNCHERS

**WARNING: CONTENTS ARE DANGEROUS — USE WITH CARE. PURCHASE AND USE OF PEPPERBALL LAUNCHERS AND PROJECTILES ARE LIMITED TO INDIVIDUALS WHO ARE AT LEAST 18 YEARS OLD. KEEP ALL PEPPERBALL PROJECTILES AND LAUNCHERS OUT OF THE SIGHT AND REACH OF CHILDREN.**

- **DANGER:** Never aim or shoot at the head, face, eyes, ears, throat or spine. Impact in these areas could result in unintended severe or permanent injury or death.
- **DANGER:** ALWAYS KEEP THE LAUNCHER POINTED IN A SAFE DIRECTION. Never look down the barrel of the launcher. Accidental discharge into the eyes may cause permanent injury or death.
- Handle this launcher as if it were loaded at all times.
- Keep your finger off the trigger until ready to fire.
- Keep this launcher on “Safe Mode” until ready to fire. Store in a safe and secure location when not in use.
- Never point or discharge your launcher at anything you do not intend to shoot.
- Never discharge your launcher at the personal property of others.
- Do not disassemble this launcher while it is pressurized or attempt to pressurize while it is disassembled.
- Keep exposed skin away from any escaping gas when in use and when installing or removing air supply.
- Use only PepperBall® authorized projectiles in this launcher. The use of any unauthorized projectiles in this launcher will void all warranties.
- Any modifications to the launcher are prohibited, except with United Tactical manufactured accessories and in accordance with United Tactical instructions. Unauthorized modifications will void all warranties.
- Increasing the velocity of this product increases the risk of death or injury.

### CARTRIDGES

**WARNING! NEVER USE GAS CARTRIDGES OTHER THAN WHAT IS SPECIFIED IN THIS MANUAL.**

**CO<sub>2</sub> Cartridges:** WARNING — CONTENTS UNDER PRESSURE Do not puncture or incinerate container. Do not expose to heat or store at temperatures above 120°F. Keep out of the reach of children.

**N<sub>2</sub> Cartridges:** WARNING! CONTENTS UNDER PRESSURE Do not heat over 125°F or rupture may occur. NEVER POINT TOWARDS FACE OR PERSONS NEARBY. DO NOT INHALE — FIRST AID: IF INHALED, remove to fresh air. If breathing is difficult, give oxygen and call a physician.

**CAUTION!** Pressurized with nitrogen. Intended for use in specified PepperBall launching devices only. Protect from sunlight when ambient temperature exceeds 52°C/ 125°F.

For product information, refer to the Safety Data Sheets (SDS) listed on [www.pepperball.com](http://www.pepperball.com)

# SAFETY

## PROJECTILES

Read projectile label carefully before opening container or using any of its contents. Opening container indicates user has carefully read label in its entirety and accepts its provisions as the terms and conditions under which this product is furnished.

Handle PepperBall projectiles with care and follow proper cleanup procedure. PepperBall projectiles cause skin irritation, serious eye irritation, and may cause serious respiratory irritation. Exposure may result in copious tears, temporary blindness, burning sensation, and difficulty breathing. The projectile should never be ingested.

- In case of accidental exposure, exit the exposure area. Remove contact lenses and contaminated clothing. Flush eyes and affected areas with cool water. Do not rub or use creams, salves, lotions or oils which can trap irritant on the skin. Discard contact lenses and wash exposed clothing before reuse. If exposure or ingestion occurs, get medical advice/attention.
- Keep all PepperBall projectiles out of the reach of children. Store in a secure location with temperatures not to exceed 150° F or below -15° F. PepperBall projectiles have a shelf life of 2 years and should be safely disposed of after this period.

## EXPOSURE:

**Eye Contact:** Flush eyes and other contaminated areas IMMEDIATELY with large amounts of cool water, and expose to fresh air. Contact lenses should be removed by subject or qualified medical personnel and must be discarded.

**Skin Contact:** Wash skin with soap and water to prevent further exposure. Flush skin with large amounts of cool water to minimize irritant effect. Wash contaminated clothing before reuse. DO NOT rub contaminated areas or apply creams, salves, oils, lotions, or burn cream, which can trap irritant on the skin.

**Inhalation:** If breathing is difficult, administer oxygen. If high concentrations are inhaled, immediately remove subject to fresh air. Keep person calm. If not breathing, begin artificial respiration. If breathing difficulty persists, seek medical attention.

**Ingestion:** Although ingestion is unlikely and not considered a potential route of exposure, individual should be treated as having an acute non-specific airway reaction by an appropriate specialist. Do not induce vomiting.

For more details on these products, refer to the Safety Data Sheets (SDS) listed on [www.pepperball.com](http://www.pepperball.com).



## SAFETY



Max. output power: 4.99 milliwatts  
Wavelength: 400-700 nanometers (visible light)  
Min. divergence: 1 milliradian  
Output: Continuous (CW)  
Laser hazard classification: Class 3R



**DO NOT STARE INTO BEAM OR VIEW DIRECTLY WITH OPTICAL INSTRUMENTS;  
CAN CAUSE EYE INJURY UPTO 52 Ft (16M) AWAY**

### Laser hazards

#### Eye injury from beam

**AVOID DIRECT EYE EXPOSURE:** Do not look into the direct or reflected beam; can cause eye injury up to 52 ft (16 m) away.

#### Visual interference (glare) with pilots and drivers

Interferes with vision up to 1200 ft (366 m) away. Can be a distraction up to 2.2 miles (3.5 km) away. **NEVER point any laser towards aircraft or vehicles; it is unsafe and illegal.**

### Safe use guidance

Class 3R lasers are safe when handled carefully. Do not look into the beam. Avoid accidental exposure to eyes. Do not aim at aircraft. **This is not a toy.** Always supervise children. Additional safety information online

Manufacturer:

United Tactical Systems LLC

Fort Wayne, Indiana 46809

Made in the USA | PBLifelite.com

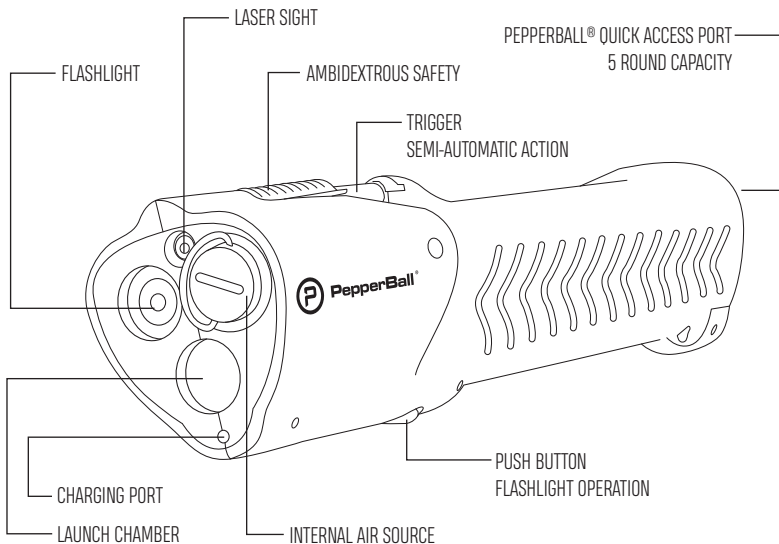
US patents 5.965.839, 6.393.992, 6.543.365, 6.546.874



EMC Compliance Complies with 21 CFR 1040.10

# OPERATIONAL INSTRUCTIONS

## OVERVIEW



## SPECIFICATIONS

### FOR USE WITH PEPPERBALL® ROUND PROJECTILES

<b>SIZE:</b> 11-1/4" L x 2-5/16" W x 2-9/16" H	<b>WEIGHT:</b> 1.75 LBS	<b>LUMENS:</b> 350	<b>CAPACITY:</b> 5 ROUNDS
<b>MAXIMUM LAUNCH DISTANCE:</b> 60 FT	<b>ACTION:</b> SEMI-AUTOMATIC	<b>POWER:</b> CO <sub>2</sub>	

**INCLUDES:** 5 LIVE SD™ PEPPERBALLS • 10 INERT PEPPERBALLS • 3 CO<sub>2</sub> CARTRIDGES • 2 CR123 BATTERIES



## GETTING STARTED

### LANYARD AND SAFETY PIN

1. **ATTACHING LANYARD** - Insert the lanyard through the end opening of the LifeLite™ and loop through the opening and pull tight. (Fig 1)

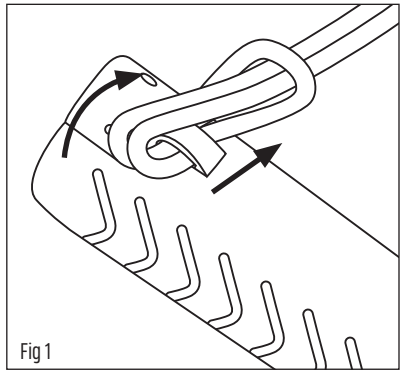


Fig 1

2. **SAFETY PIN REMOVAL** - Remove the Safety Pin before using the LifeLite™. The Safety Pin has been installed as safety against accidental firing. The Safety Pin should remain in place when storing or transporting the LifeLite™ and not when staging for defensive use. (Fig 2)

3. **SECURE THE SAFETY PIN** - Attach the pin to the end of the lanyard for future desired safety and use.

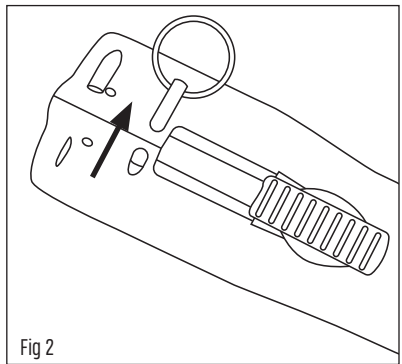


Fig 2



# OPERATIONAL INSTRUCTIONS

## BATTERY INSTALLATION

1. **PLACE THE LIFELITE™ IN SAFE MODE** - Slide the safety towards the rear of the launcher until it is fully covering the trigger. (Fig 1)

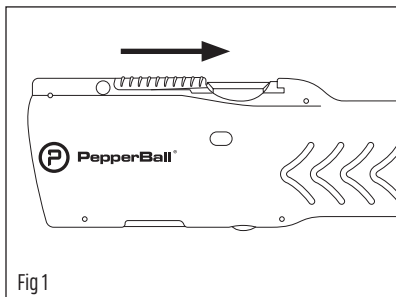


Fig 1

## 2. REMOVE THE BATTERY COVER

A. To install non-rechargeable batteries, place two CR123A Lithium batteries in the Battery Tray, following the correct placement of + and -. If the unit is new, make sure to pull the white tab to make sure the battery is connected.

B. To install rechargeable batteries, disconnect the Battery Tray Connector (if connected) from the launcher and attach the connector of the rechargeable battery in its place. (Fig 2)

(Rechargeable batteries & chargers sold separately at [pblifelite.com](http://pblifelite.com).)

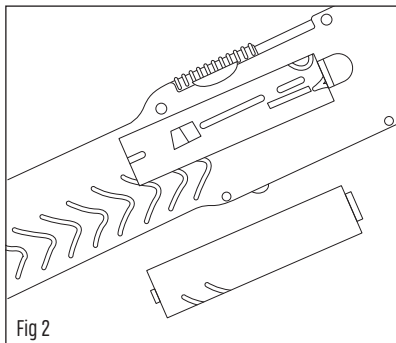


Fig 2

3. **REPLACE THE BATTERY COVER** - Ensure the Battery Door is closed, by pushing the latch forward until it clicks. (Fig 3)

**NOTE:** Launcher fires projectile with Co2 cartridge installed and does not require batteries to fire projectiles.

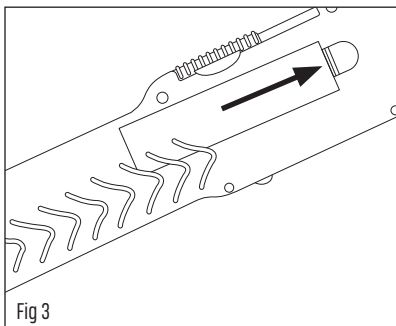


Fig 3

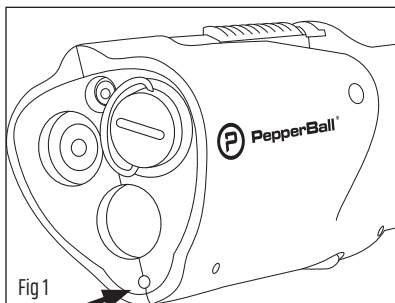


## OPERATIONAL INSTRUCTIONS

### CHARGING THE OPTIONAL RECHARGEABLE BATTERY PACK

1. Place the LifeLite™ in safe mode.
2. Locate the charging jack on the front of the LifeLite™. (Fig 1)
3. Insert either the A/C wall charger or D/C car charger into the jack.
4. Plug the charger into a power source.

**WARNING:** DO NOT leave the flashlight on when charging the battery. Leaving the flashlight on during battery recharge may result in damage to the LED.



# OPERATIONAL INSTRUCTIONS

## INSERTING CO<sub>2</sub> CARTRIDGE

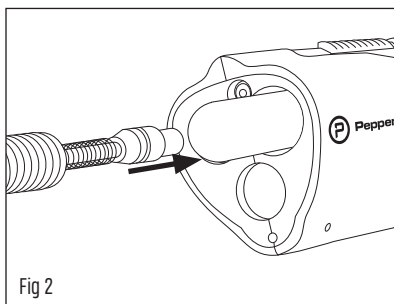
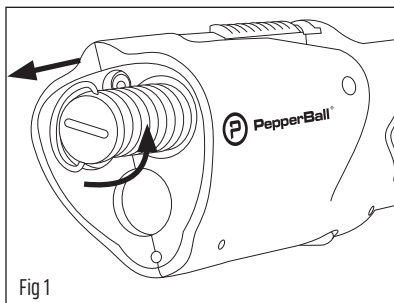
1. Make sure the LifeLite™ has **NOT** been loaded with projectiles.
2. Unscrew Puncture Ram from cartridge chamber located in the front of the LifeLite™. (Fig 1)

**WARNING:** Do not point launcher towards yourself or others while performing this procedure.

3. Insert 12 gram CO<sub>2</sub> cartridge (skinny end first) into the cartridge chamber where you removed the Puncture Ram. (Fig 2)
4. Re-install Puncture Ram into cartridge chamber and tighten until Puncture Ram is flush with the front of the unit.

**PUNCTURE RAM PART NO. B90-0013**

**NOTE:** PepperBall® recommends the user only install 12 gram CO<sub>2</sub> cartridges that have been ASTM certified to meet size standards.



## REPLACING SPENT CO<sub>2</sub> CARTRIDGE

1. To replace the spent CO<sub>2</sub> cartridge, ensure the launcher is empty of projectiles.
2. Unscrew the Puncture Ram from the launcher.  
**NOTE:** It is normal to hear a hissing sound as excess CO<sub>2</sub> gas is released.
3. Point the launcher in a safe direction and at a downward angle.
4. Disengage the safety and press the trigger.
5. The spent CO<sub>2</sub> cartridge should release and fall free of the launcher. **Never** hit the launcher against a hard surface to release a spent CO<sub>2</sub> cartridge.
6. Engage safety prior to installing a fresh CO<sub>2</sub> cartridge then replace the Puncture Ram on an empty chamber for storage.
7. Properly dispose of the spent CO<sub>2</sub> cartridge.



## OPERATIONAL INSTRUCTIONS

### LOADING PROJECTILES

1. Remove Projectile Plunger from the rear of the LifeLite™ by pushing in and turning approximately 1/8 turn clockwise. A tab on the Projectile Plunger will line up with a notch in the body of the LifeLite™ so it can be removed. (Fig 1)

**NOTE:** Remember to always keep LifeLite™ pointed in a safe direction while loading.

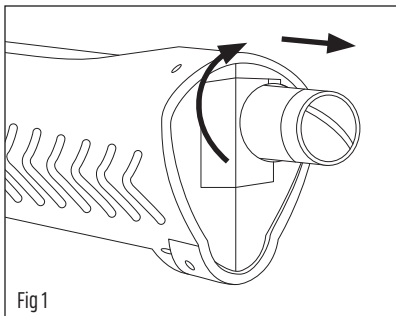


Fig 1

2. Place five PepperBall® projectiles in the projectile load chamber where you removed the Projectile Plunger. Reinsert the Projectile Plunger and turn it approximately 1/8 turn counterclockwise until it locks back into place. (Fig 2)

**CAUTION:** Minimal force should be required to re-insert the projectile plunger. If resistance is felt, remove and inspect projectiles for damage.

**PROJECTILE PLUNGER PART NO. A60-0003**

**NOTE:** Never place more than five PepperBall® projectiles in the LifeLite™.

The projectiles are designed to fracture easily to ensure effectiveness on a variety of surfaces and distances. If the unit is ever dropped on a hard surface, the projectiles should be removed and inspected for damage.

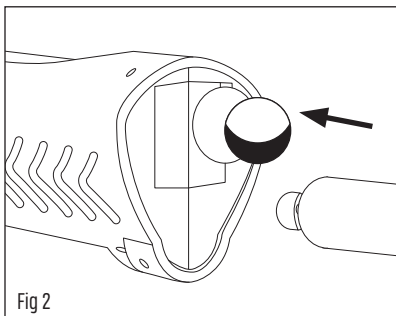


Fig 2

# OPERATIONAL INSTRUCTIONS

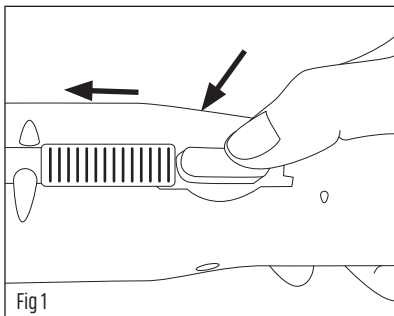
## FIRING THE LifeLite™

1. The LifeLite™ is now ready to fire. Aim the LifeLite™ at the intended target and slide the safety to the forward position. This will activate the laser and also reveal the red trigger. Aim the laser on the target and firmly press the red trigger straight down with your thumb until projectile is launched. (Fig 1)
2. When no longer launching projectiles at the intended target, first lower LifeLite™ towards ground and then slide safety rearward to cover red trigger. **ALWAYS keep red trigger covered when not in use.**
3. Replace the CO<sub>2</sub> cartridge after firing five projectiles or any time the LifeLite™ will be stored. **NOTE:** CO<sub>2</sub> cartridge will be pierced only at first trigger push each time the LifeLite™ is reloaded with a new cartridge. To ensure the LifeLite is ready for defensive use, only stage with a fresh, unused CO<sub>2</sub> cartridge.

**Firing multiple magazines in rapid succession may cause the launcher to freeze. If this occurs, allow launcher to thaw to room temperature prior to continued use.**

**WARNING:**

- Never point laser direct into eyes
- Do not shoot at head, neck or spine
- Do not shoot LifeLite™ at unintended target



## STORING THE LIFELITE™

If storing the LifeLite™ for an extended period and it is not intended to be used, replace the Puncture Ram without a CO<sub>2</sub> cartridge in the chamber and ensure the launcher is free of projectiles. Place the LifeLite™ in its case, replace the safety pin, and store in a safe location.

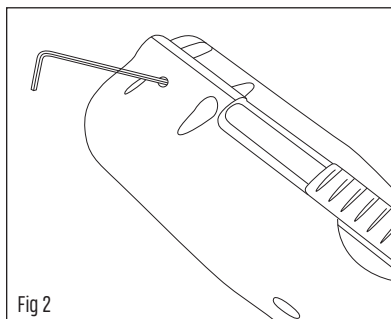
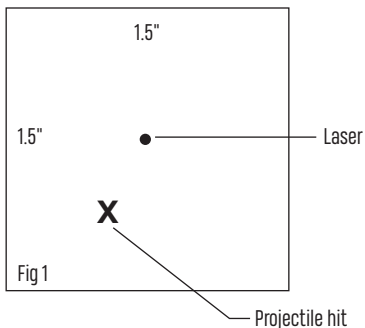


## OPERATIONAL INSTRUCTIONS

### ADJUSTING LASER SIGHT

1. The LifeLite™ comes with the laser aligned properly. Only adjust the laser if the projectiles are not hitting at the same point where the laser is projected.
2. Secure the LifeLite™ in a horizontal position with the trigger pointing up.
3. Once secure, shoot one round from the LifeLite™ at a target from 15 feet away. The projectile should hit within a 1.5" square from where the laser is projecting. (Fig 1)
4. If the projectile did not hit within the specified range, use the two adjustment screws at the front of the launcher to adjust the laser until it is within range. The left screw adjusts the elevation, the right screw adjusts windage. (Fig 2)

**NOTE:** Adjustment is delicate and only light pressure should be applied to the adjustment screws. Attempting to force the screws past the designed limits could damage the unit.



# CLEANING AND MAINTENANCE

## SAFETY NOTES

- Remove all projectiles and the CO<sub>2</sub> cartridge from the LifeLite™ prior to doing any cleaning or maintenance.
- Keep the launch chamber of the launcher completely dry.
- Never use petroleum-based cleaning solvents or lubricants.
- Never use cleaning solvents that come in aerosol cans.

**WARNING:** Never perform cleaning or maintenance on a loaded or pressurized launcher.



## CLEANING AND MAINTENANCE

### LIFELITE™ CLEANING PROCEDURE

1. Clear LifeLite of all projectiles and CO<sub>2</sub> cartridge before attempting to clean launcher. If the LifeLite™ needs to be cleaned for any reason including a broken projectile, follow the below instructions to decontaminate.
2. In a well-ventilated environment, preferably outdoors, position LifeLite™ barrel in downward direction and gently tap side of launcher to remove large shell fragments and powder from barrel opening.
3. Using a damp swab, clean remaining powder out of magazine tube by gently inserting swab in a rotating motion. (Fig 1)
4. Rotate launcher around and repeat process by inserting a damp swab into the barrel of the launcher in a rotating motion. Dispose of contaminated swabs. (Fig 2)

**WARNING:** Never perform cleaning or maintenance on a loaded or pressurized launcher.

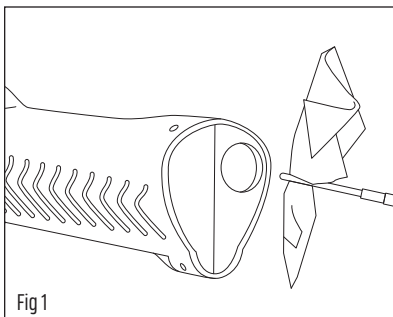


Fig 1

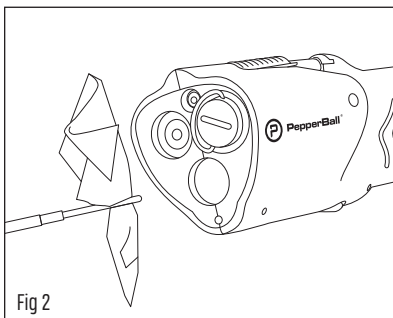


Fig 2



## CLEANING AND MAINTENANCE

5. Immediately after damp swabbing (to prevent wet powder from drying inside of launcher) follow normal procedure of loading CO<sub>2</sub> cartridge into LifeLite™ and dry fire launcher without projectiles. Dry fire launcher until CO<sub>2</sub> is depleted. (Fig 3)
6. While still in well-ventilated area, aim LifeLite™ barrel in safe direction and spray compressed air into magazine slot (rear of launcher) to blow excess projectile powder out of barrel. (Fig 4)
7. Rotate launcher around and repeat process by spraying compressed air into barrel (front of launcher) to blow remaining projectile powder out of magazine tube. (Fig 5)
8. Wipe entire launcher with damp towel to complete cleaning process.

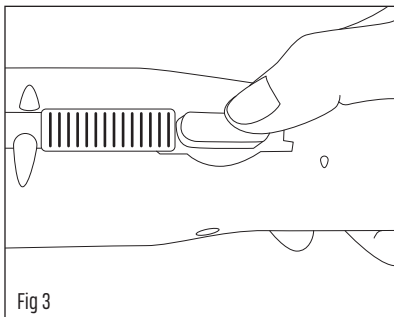


Fig 3

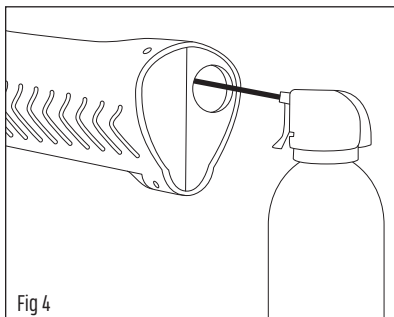


Fig 4

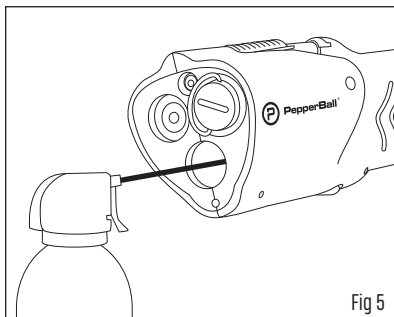


Fig 5



## WARRANTY & DISCLAIMER

### WARRANTY, DISCLAIMER OF WARRANTY AND LIMITATION OF REMEDIES

United Tactical Systems, LLC (UTS) warrants, solely to the end user, that the product is delivered free from defects in materials and workmanship for a period of one (1) year from the original date of purchase.

Within the one-year warranty period, UTS' liability and the buyer's sole and exclusive remedy hereunder for all claims shall be limited to a refund or credit to buyer of the purchase price, or replacement of this product, at UTS's option, provided that the non-conforming product is (1) returned during the warranty period and (2) properly packaged and shipped to the UTS designated facility in accordance with the UTS Return Merchandise Authorization (RMA) Policy.

#### **THE REMEDY SET FORTH ABOVE SHALL BE THE SOLE AND EXCLUSIVE REMEDY FOR BREACH OF THE FOREGOING WARRANTY.**

Products which have been improperly handled, stored or shipped, or which have been subject to abuse, misuse, alteration and or neglect are not covered by the warranty. Aftermarket products and the use of non-authorized projectiles are strictly prohibited by UTS and any indication of their installation or use shall void all warranties. Unauthorized modifications voids the warranty.

**DISCLAIMER OF WARRANTY:** Except for the express limited warranty set forth above, UTS makes no warranties or representations of any kind, whether express or implied, with respect to the product, including any (a) warranty of merchantability; or (b) warranty of fitness for a particular purpose; or (c) warranty against infringement of intellectual property rights of a third-party, whether express or implied by law, course of dealing, course of performance, usage of trade or otherwise. There are no warranties which extend beyond the description of the face hereof. Buyer shall make no warranty or representation regarding the products that is inconsistent with the warranty set forth above. UTS shall not be liable for any injury, loss, or damage, direct or consequential, arising out of the use or the inability to use this product. Warranty does not cover damage caused by abuse, misuse, loss, improper handling, alterations, accident, neglect, or disassembly. Before use, the user shall determine the suitability of the product and be fully trained for its intended use, and user assumes all risks and liability whatsoever in connection therein. In no event shall UTS be liable or obligated to buyer or to any third party in any manner for any (a) special, non-compensatory, consequential, indirect, incidental, statutory, or punitive damages of any kind, including, without limitation, lost profits and/or lost revenue, regardless of the form of action, whether in contract, tort, negligence, strict product liability, or otherwise, even if informed of or aware of the possibility of any such damages in advance, (b) in an amount greater than the amounts paid to UTS by buyer for the products, or (c) damage or injury caused by the products, unless due to the gross negligence or willful misconduct of UTS. The limitations set forth above shall be deemed to apply to the maximum extent permitted by applicable law and notwithstanding the failure of the essential purpose of any limited remedies. The parties acknowledge and agree that they have fully considered the foregoing allocation of risk and find it reasonable, and that the foregoing limitations are an essential basis of the bargain between the parties.

# RETURN POLICY

## CUSTOMER SERVICE, REPAIR POLICY AND RETURN POLICY

For any Customer Service related issues that cannot be answered by the FAQ in this manual, please contact PepperBall at [service@pepperball.com](mailto:service@pepperball.com) or call PepperBall Customer Service at 888-874-3491

## WARRANTY AND SERVICE INFO

All returns must be authorized by PepperBall. Contact PepperBall at [service@pepperball.com](mailto:service@pepperball.com) or call PepperBall Customer Service at 888-874-3491

### When returning product:

**CAUTION:** ALWAYS UNLOAD AND REMOVE AIR SOURCE, AND PROJECTILES BEFORE SHIPPING A LAUNCHER.

**CAUTION:** DO NOT SHIP BACK THE AIR SOURCE.

- Make sure the RA Number is clearly marked on the outside of the shipping package.
- Include a brief statement regarding the requested repair
- Include your name, return address and a telephone number where you can be reached during normal business hours inside the shipping package.
- All in warranty products will be repaired or exchanged at the discretion of PepperBall and will be shipped back to the Customer via ground shipping at no-charge.



### LIFELITE™ WARRANTY REGISTRATION CARD:

NAME: \_\_\_\_\_

ADDRESS: \_\_\_\_\_

DATE OF PURCHASE: \_\_\_\_\_

SERIAL NUMBER: \_\_\_\_\_

Please detach from product manual,  
place in stamped envelope and send to:

Pepperball® Warranty Support  
2717 W Ferguson Rd.  
Fort Wayne, IN 46809





THIS IS NOT A TOY.

ONLY ALLOW USE BY RESPONSIBLE PERSONS.

READ MANUAL BEFORE USE.

Additional safety information available online.

**USE WITH CAUTION:** This product may have the appearance of a deadly weapon and may increase the risk of injury from third parties. Always be aware of your surroundings when using this product.

PepperBall® is a division of United Tactical Systems, LLC  
28101 Ballard Drive, Suite F  
Lake Forest, IL 60045  
Pepperball.com