



URAGAN Freely suits

# Order Form

## 1-Piece Freely Start-up suit

**Sold to :**

Name \_\_\_\_\_

Address \_\_\_\_\_

City \_\_\_\_\_

State - Zip \_\_\_\_\_

Phone Number \_\_\_\_\_

Email Address \_\_\_\_\_

Do not hesitate to ask us if you need any help to complete this order form.

Email us your question at :

[info@ouragansuits.com](mailto:info@ouragansuits.com)

Phone : 1-877-960-3030 (Can&USA) 418-660-3030 (intl)

**Shipping address: (if different)**

Name \_\_\_\_\_

Address \_\_\_\_\_

City \_\_\_\_\_

State - Zip \_\_\_\_\_

Phone Number \_\_\_\_\_

Size	Note
<input type="checkbox"/> Small	If you do not know what size to choose, take your measurements (see below) and we will determine the best size for you. You can get a measuring guide at this link: <a href="http://www.ouragansuits.com/Documentation/Measuring_tips.pdf">http://www.ouragansuits.com/Documentation/Measuring_tips.pdf</a>
<input type="checkbox"/> Medium	
<input type="checkbox"/> Large	
<input type="checkbox"/> X-Large	
<input type="checkbox"/> XX-Large	

For instructions "How to take measurements", follow this link:  
[http://www.ouragansuits.com/pdf/measuring\\_tips.doc](http://www.ouragansuits.com/pdf/measuring_tips.doc)

Gender M  F  Height \_\_\_\_\_ Weight \_\_\_\_\_

- A - Mid back to wrist bone \_\_\_\_\_
- B - Mid back to elbow \_\_\_\_\_
- C - Shoulder to shoulder \_\_\_\_\_
- D - Wrist \_\_\_\_\_
- E - Biceps (flexed) \_\_\_\_\_
- F - Chest \_\_\_\_\_
- G1 - Waist (on navel) \_\_\_\_\_
- H - Hip (widest part of butt) \_\_\_\_\_
- I - Body \_\_\_\_\_
- J - Thigh (widest part) \_\_\_\_\_
- K - Crotch to knee,inside leg \_\_\_\_\_
- K(alt) - Waist to knee, on side \_\_\_\_\_
- L - Crotch to floor,inside leg with shoes \_\_\_\_\_
- L(alt) - Waist to floor, on side \_\_\_\_\_
- M - Calf (widest part) \_\_\_\_\_
- N - Ankle \_\_\_\_\_
- O - Neck (base of the neck) \_\_\_\_\_
- P - All Body \_\_\_\_\_

**For Women Only**

High Waist - 1 \_\_\_\_\_

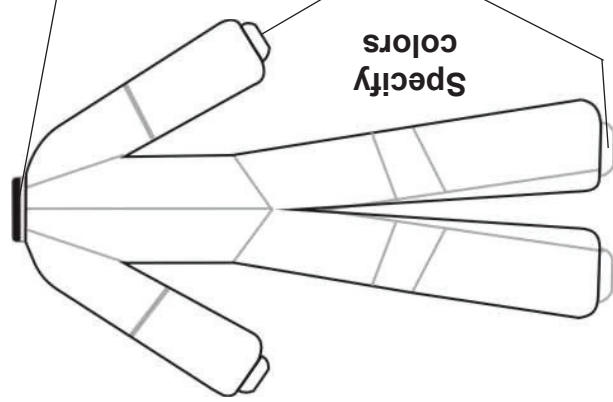
Hole in throat throat to high waist \_\_\_\_\_

### IMPORTANT

Any mistake concerning the measurements are the entire responsibilities of the person who measures

# Colors and Features

Suit \_\_\_\_\_  
 Color \_\_\_\_\_  
 Thread \_\_\_\_\_



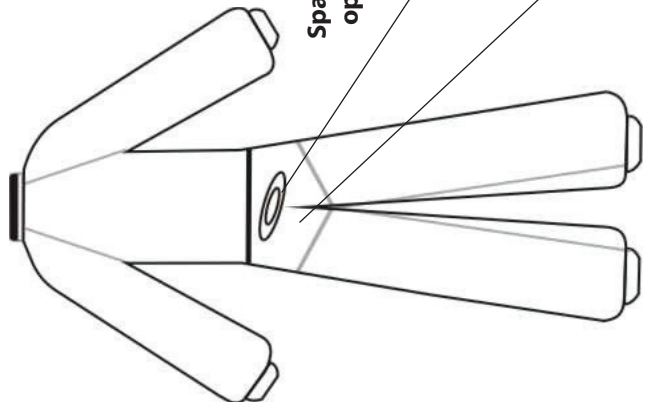
**Collar made of Spandex**  
 Color \_\_\_\_\_  
Charcoal not available

**Style**  
 Rectangle   
 Snap

If you do not specify any color, we will use same color as the suit. **Charcoal color for spandex is not available.**

Wrist cuffs \_\_\_\_\_  
 Ankle cuffs \_\_\_\_\_

If you do not specify any color, we will use same color as the suit. **Charcoal color for spandex is not available.**



**Back**  
 Taslan (standard feature)  
 Spandex armhole inserts  
 Color \_\_\_\_\_

**Logo**  
 Color \_\_\_\_\_  
 Outline \_\_\_\_\_

**Reinforc. butt**  
 Taslan  
 Color \_\_\_\_\_

**Spandex is optional**  
 Front  
 Back

## Other options (not included in the basic price)

**IMPORTANT : Charcoal spandex is not available.**

Reinforcement knees with cordura Color \_\_\_\_\_  
 Reinforcement butt with cordura Color \_\_\_\_\_  
 Knee padding  Butt padding  
**Coolmax**  On arms  On legs **Mesh**  Arms  Legs  
**Double layer**  On arms  On legs  
 Extra pocket inside **I-Pod pocket**  Universel  
 Cargo pocket Quantity (1 or 2) \_\_\_\_\_ Where \_\_\_\_\_  
 DSL pocket

**Grippers (freely)**  On arms  On legs  
**Grippers (RW)**  On arms  On legs

**Cuff styles** **Wrist**  Steve Curtis  Ouragan  With velcro  
**Ankle**  Steve Curtis  Ouragan  With velcro

Specify value for extra length \_\_\_\_\_

Design from catalog # \_\_\_\_\_ Location of the design **Right**  **Left**   
 Personalized design **On arms**  **On legs**

**Indicate here any extra details for the design, and special requests**

**When a customer hires us to design the artwork, he will be charged for the designer and the sewing work. The cost will depend on its complexity.**

**IMPORTANT - Please note : Charcoal spande is not available.**