



OURAGAN

# Order Form

Freely suits

## 1-Piece High-Lift (hybrid) Sky Tunnel Suit

### Sold to :

Name \_\_\_\_\_  
 Address \_\_\_\_\_  
 City \_\_\_\_\_  
 State - Zip \_\_\_\_\_  
 Phone Number \_\_\_\_\_  
 Email Address \_\_\_\_\_

Do not hesitate to ask us if you need any help to complete this order form.

Email us your question at :

[info@ouragansuits.com](mailto:info@ouragansuits.com)

Phone : 1-877-960-3030 (Can&USA) 418-660-3030 (intl)

### Shipping address: (if different)

Name \_\_\_\_\_  
 Address \_\_\_\_\_  
 City \_\_\_\_\_  
 State - Zip \_\_\_\_\_  
 Phone Number \_\_\_\_\_

### Cut style

Amount of drag (see note)

Straight Leg

Arms

Fast cut

Legs

High Speed cut

**NOTE: Amount of drag choices :  
Medium, High or Extra-High**

For instructions "How to take measurements", follow this link:  
[http://www.ouragansuits.com/pdf/measuring\\_tips.doc](http://www.ouragansuits.com/pdf/measuring_tips.doc)

Gender M  F  Height \_\_\_\_\_ Weight \_\_\_\_\_  
 Type of fit :  Medium  Loose

Note : Tight fit is the standard feature of Ouragan

- A - Mid back to wrist bone \_\_\_\_\_
- B - Mid back to elbow \_\_\_\_\_
- C - Shoulder to shoulder \_\_\_\_\_
- D - Wrist \_\_\_\_\_
- E - Biceps (flexed) \_\_\_\_\_
- F - Chest \_\_\_\_\_
- G1 - Waist (on navel) \_\_\_\_\_
- H - Hip (widest part of butt) \_\_\_\_\_
- I - Body \_\_\_\_\_
- J - Thigh (widest part) \_\_\_\_\_
- K - Crotch to knee,inside leg \_\_\_\_\_
- K(alt) - Waist to knee, on side \_\_\_\_\_
- L - Crotch to floor,inside leg with shoes \_\_\_\_\_
- L(alt) - Waist to floor, on side \_\_\_\_\_
- M - Calf (widest part) \_\_\_\_\_
- N - Ankle \_\_\_\_\_
- O - Neck (base of the neck) \_\_\_\_\_
- P - All Body \_\_\_\_\_

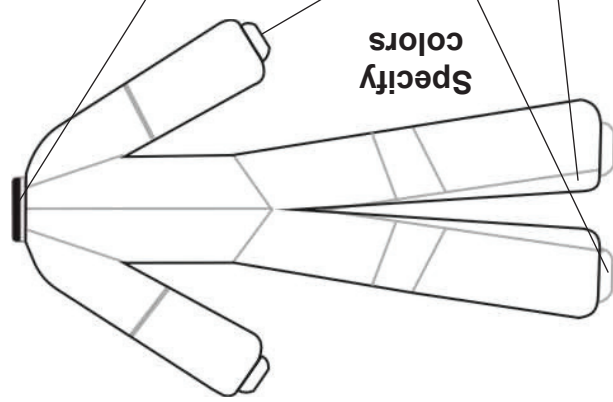
**For Women Only**  
 High Waist - 1 \_\_\_\_\_  
 Hole in throat throat to high waist \_\_\_\_\_

### IMPORTANT

**Any mistake concerning the measurements are the entire responsibilities of the person who measures**

# Colors and Features

Suit  
 Color \_\_\_\_\_  
 Thread \_\_\_\_\_  
 Binding tape \_\_\_\_\_



## Colors

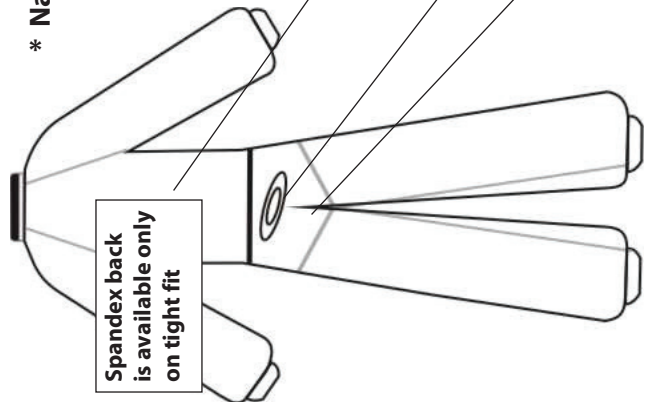
Collar front  
 Int. \_\_\_\_\_  
 Ext. \_\_\_\_\_  
 Piping \_\_\_\_\_

**Style**  
 Snap style only available

If you do not specify any color, we will use same color as the suit. *Charcoal color for spandex is not available.*

## Specify colors

Wrist cuffs \_\_\_\_\_  
 Ankle cuffs \_\_\_\_\_  
 Crotch piece \_\_\_\_\_



## \* Name at front available only on SNAP Style

Name at:  Front  Back  
 \*Name \_\_\_\_\_  
 Font \_\_\_\_\_  
 Color \_\_\_\_\_

## Optional

Back Color \_\_\_\_\_  
 Logo Ouragan Color \_\_\_\_\_  
 Outline \_\_\_\_\_

Reinforc. butt  Taslan \_\_\_\_\_  
 Color \_\_\_\_\_

## Other options (not included in the basic price)

### IMPORTANT : Charcoal spandex is not available.

Inside of collar with spandex Color \_\_\_\_\_  
 Reinforcement knees with cordura Color \_\_\_\_\_  
 Reinforcement butt with cordura Color \_\_\_\_\_

Cordura bottom back leg  Knee padding  Butt padding  
 (Steve Curtis only)

**Coolmax**  On arms  On legs

Extra pocket inside **I-Pod pocket**  Universal

Cargo pocket Quantity (1 or 2) \_\_\_\_\_ Where \_\_\_\_\_  
 DSL pocket

**Grippers (freely)**  On arms  On legs

**Grippers (RW)**  On arms  On legs

**Cuff styles** **Wrist**  Steve Curtis  Ouragan  With velcro

**Ankle**  Steve Curtis  Ouragan  With velcro

**Extra length** for Steve Curtis ankle cuffs on arms  Yes  No

**Extra length** for Steve Curtis ankle cuffs on legs  Yes  No

Specify value for extra length \_\_\_\_\_

Design from catalog # \_\_\_\_\_ Location of the design  Right  Left  
 Personalized design  On arms  On legs

## Indicate here any extra details for the design, and special requests

**IMPORTANT - Please note**  
 Charcoal spande is not available.

When a customer hires us to design the artwork, he will be charged for the designer and the sewing work. The cost will depend on its complexity.