



OURAGAN

Order Form

Freely suits

2-Piece Camera Suit

Sold to :

Name _____
 Address _____
 City _____
 State - Zip _____
 Phone Number _____
 Email Address _____

Do not hesitate to ask us if you need any help to complete this order form.

Email us your question at :

info@ouragansuits.com

Phone : 1-877-960-3030 (Can&USA) 418-660-3030 (intl)

Shipping address: (if different)

Name _____
 Address _____
 City _____
 State - Zip _____
 Phone Number _____

Cut style

Amount of drag (see note)

Straight Leg

Arms

Fast cut

Legs

**NOTE : Amount of drag choices :
Low, Medium, High or Extra-High**

*For instructions "How to take measurements", follow this link:
http://www.ouragansuits.com/pdf/measuring_tips.doc*

Gender M F Height _____ Weight _____
 Type of fit : Tight Medium Loose

Note : Tight fit is the standard feature of Ouragan

- A - Mid back to wrist bone _____
- B - Mid back to elbow _____
- C - Shoulder to shoulder _____
- D - Wrist _____
- E - Biceps (flexed) _____
- F - Chest _____
- G1 - Waist (for jacket) _____
- G2 - Waist (for pants) _____
- H - Hip (widest part of butt) _____
- I - Body _____
- J - Thigh (widest part) _____
- K - Crotch to knee,inside leg _____
- K(alt) - Waist to knee, on side _____
- L - Crotch to floor,inside leg with shoes _____
- L(alt) - Waist to floor, on side _____
- M - Calf (widest part) _____
- N - Ankle _____
- O - Neck (base of the neck) _____
- P - All Body _____
- Q - Seat _____
- X - Armpit to start of rig strap _____

For Women Only
 High Waist _____
 Hole in throat to high waist _____

IMPORTANT

Any mistake concerning the measurements are the entire responsibilities of the person who measures

Colors and Features

Suit Color _____
Thread _____

Colors

Collar Int. _____
Ext. _____
Piping _____

Style

Racing

Snap

Specify Colors

Wrist cuffs _____
 Ankle cuffs _____
 Crotch piece _____

If you do not specify any color, we will use same color as the suit. Charcoal color for spandex is not available.

Colors

Color _____
 Thread _____

Other options (not included in the basic price when in bold)
IMPORTANT : Charcoal spandex is not available.

Inside of collar with spandex Color _____

Reinforcement knees with cordura Color _____

Reinforcement butt with cordura Color _____

Coolmax On arms On legs Knee padding Butt padding

Double layer On arms On legs

Pockets

Extra pocket inside I-Pod Pocket RDS pocket

Cargo pocket Quantity (1 or 2) _____ Where _____

Wings

Fix Freely Camera RW Camera Small Medium X-L

Wing Color _____ Binding tape color _____

RSL

Freely Camera RW Camera Medium Large X-L

RSL Attachment → Plastic Metal

Cuff styles **Wrist** Steve Curtis Ouragan With velcro

Ankle Steve Curtis Ouragan With velcro

Extra length for Steve Curtis ankle cuffs on arms Yes No

Extra length for Steve Curtis ankle cuffs on legs Yes No

Specify value for extra length _____

Design from catalog # _____ Location of the design Right Left

Personalized design On arms

On legs

Indicate here any extra details for the design, and special requests

When a customer hires us to design the artwork, he will be charged for the designer and the sewing work. The cost will depend on its complexity.

*** Name at front available only on SNAP Style**

Name Name at: Front Back

Font _____
 Color _____

Optional

Taslan (standard feature)

Back

Spandex Front Back

Spandex armhole inserts Back

Color _____

Logo

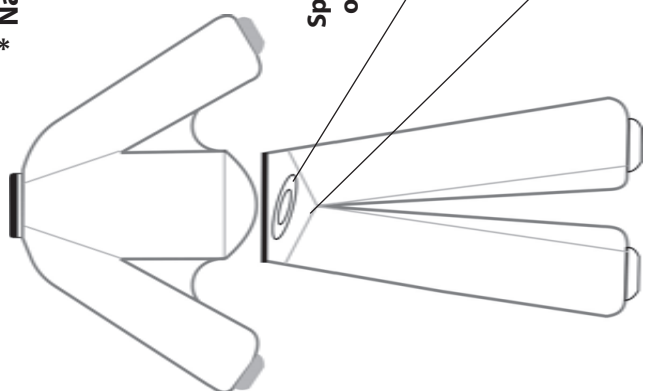
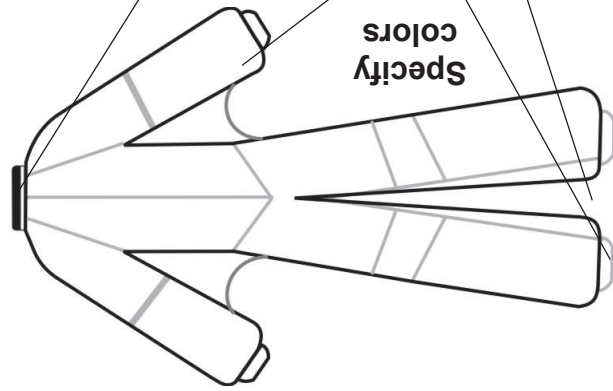
Color _____
 Outline _____

Ouragan

Color _____

Reinforc. butt Taslan

Color _____



IMPORTANT - Please note : Charcoal spande is not available.