



URAGAN Freely suits

Order Form

1-Piece Camera Suit, High-Lift

Sold to :

Name _____
 Address _____
 City _____
 State - Zip _____
 Phone Number _____
 Email Address _____

Do not hesitate to ask us if you need any help to complete this order form.

Email us your question at :

info@ouragansuits.com

Phone : 1-877-960-3030 (Can&USA) 418-660-3030 (intl)

Shipping address: (if different)

Name _____
 Address _____
 City _____
 State - Zip _____
 Phone Number _____

Cut style		Amount of drag (see note)
<input type="checkbox"/> Straight Leg	Arms	<input type="text"/>
<input type="checkbox"/> Fast cut	Legs	<input type="text"/>

NOTE : Amount of drag choices : Low, Medium, High or Extra-High

For instructions "How to take measurements", follow this link:
http://www.ouragansuits.com/pdf/measuring_tips.doc

Gender M F Height _____ Weight _____
 Type of fit : Tight Medium Loose

Note : Tight fit is the standard feature of Ouragan

- A - Mid back to wrist bone _____
- B - Mid back to elbow _____
- C - Shoulder to shoulder _____
- D - Wrist _____
- E - Biceps (flexed) _____
- F - Chest _____
- G1 - Waist (on navel) _____
- H - Hip (widest part of butt) _____
- I - Body _____
- J - Thigh (widest part) _____
- K - Crotch to knee,inside leg _____
- K(alt) - Waist to knee, on side _____
- L - Crotch to floor,inside leg with shoes _____
- L(alt) - Waist to floor, on side _____
- M - Calf (widest part) _____
- N - Ankle _____
- O - Neck (base of the neck) _____
- P - All BodCamera_1P_EN.pdfy _____
- X - Armpit to start of rig strap _____

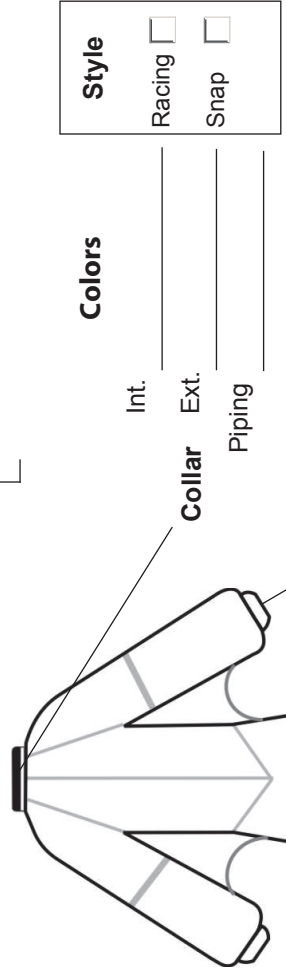
For Women Only	High Waist - 1 _____
	Hole in throat to high waist _____

IMPORTANT

Any mistake concerning the measurements are the entire responsibilities of the person who measures

Colors and Features

Suit
 Color _____
 Thread _____



Specify Colors
 Wrist cuffs _____
 Ankle cuffs _____
 Crotch piece _____

If you do not specify any color, we will use same color as the suit. *Charcoal color for spandex is not available.*

Other options (not included in the basic price when in bold)
IMPORTANT : Charcoal spandex is not available.

- Inside of collar with spandex Color _____
- Reinforcement knees with cordura Color _____
- Reinforcement butt with cordura Color _____
- Coolmax** On arms On legs Knee padding Butt padding
- Double layer** On arms On legs
- Extra pocket inside I-Pod Pocket RDS pocket
- Pockets** Cargo pocket Quantity (1 or 2) _____ Where _____

- Wings**
- Fix** Freely Camera RW Camera Small Medium X-L
- Wing Color _____ Binding tape color _____
- RSL** Freely Camera RW Camera Medium Large X-L
 RSL Attachment → Plastic Metal

- Cuff styles** **Wrist** Steve Curtis Ouragan With velcro
Ankle Steve Curtis Ouragan With velcro
- Extra length** for Steve Curtis ankle cuffs on arms Yes No
Extra length for Steve Curtis ankle cuffs on legs Yes No

- Specify value for extra length _____
- Design from catalog # _____ Location of the design **Right** **Left**
 Personalized design **On arms** **On legs**

Indicate here any extra details for the design, and special requests

When a customer hires us to design the artwork, he will be charged for the designer and the sewing work. The cost will depend on its complexity.

*** Name at front available only on SNAP Style**

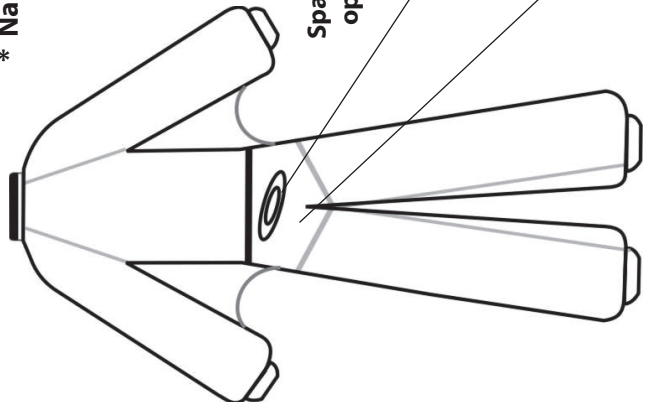
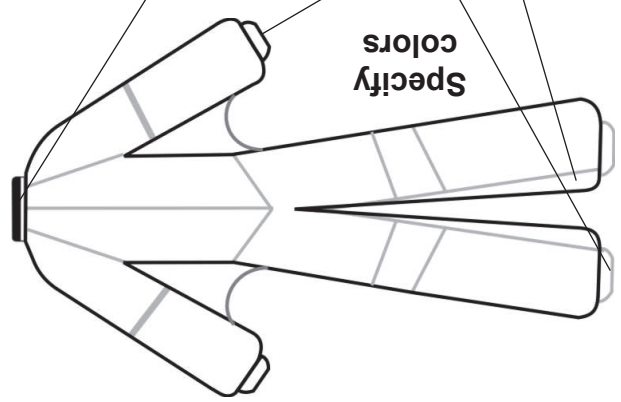
Name at: Front Back
 * Name _____
 Font _____
 Color _____

- Optional**
- Taslan (standard feature)
 - Spandex Front Back
 - Spandex armhole inserts Back
- Color _____

Back
Spandex is optional

Logo
 Color _____
 Outline _____

Reinforc. butt Taslan
 Color _____



IMPORTANT - Please note : Charcoal spande is not available.