



Wire-guided robot mower

EN	Instruction manual	FI	Käyttöohjeet
FR	Manuel d'instructions	CS	Návod k použití
DE	Bedienungsanleitung	PL	Instrukcja obsługi
IT	Manuale di istruzioni	HU	Használati útmutató
NL	Gebruiksaanwijzing	ET	Kasutusjuhend
ES	Manual de instrucciones	HR	Priručnik s uputama
PT	Manual de instruções	LT	Naudojimo instrukcija
NO	Instruksjonsbok	LV	Lietošanas instrukcija
SV	Bruksanvisning	SL	Navodila za uporabo
DA	Brugsanvisning	RU	Руководство по эксплуатации

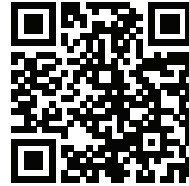




Download full manual stiga.com

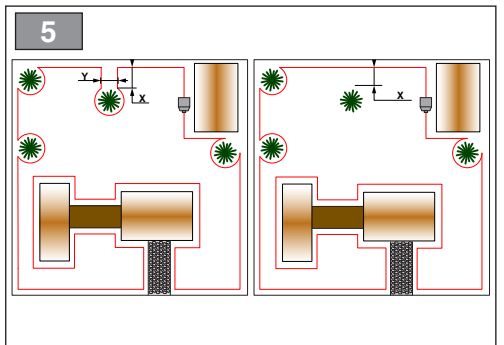
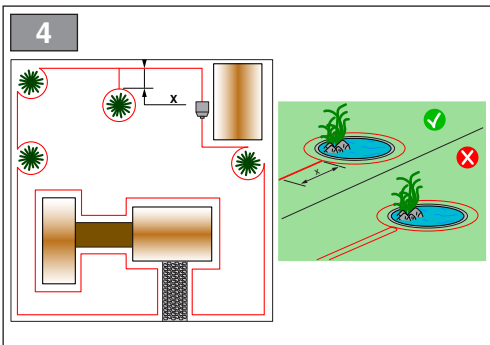
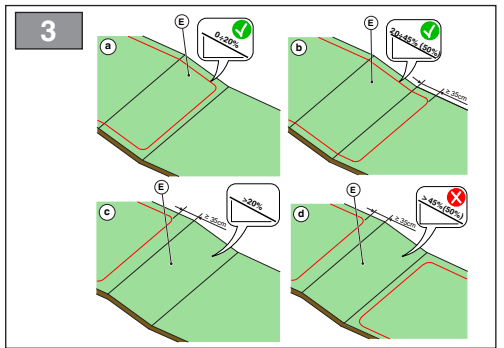
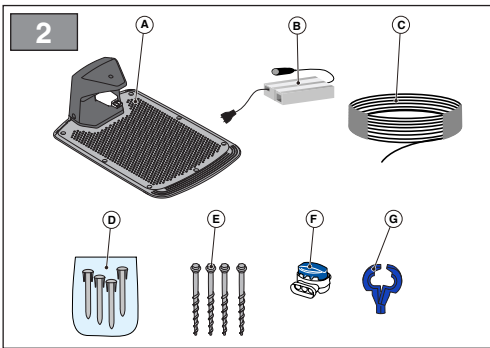
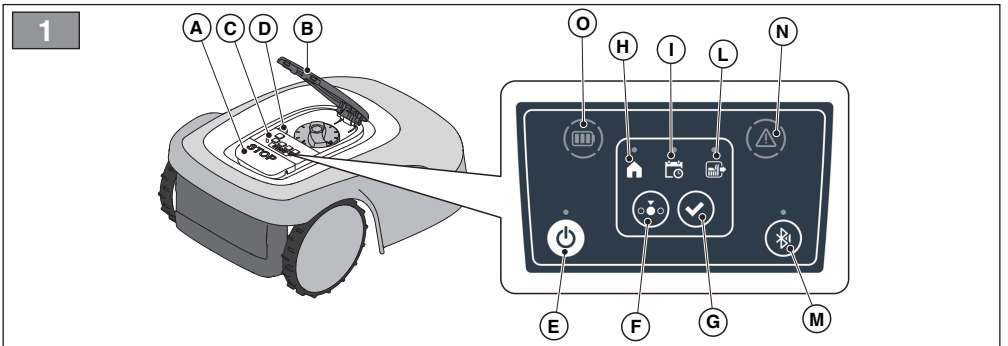
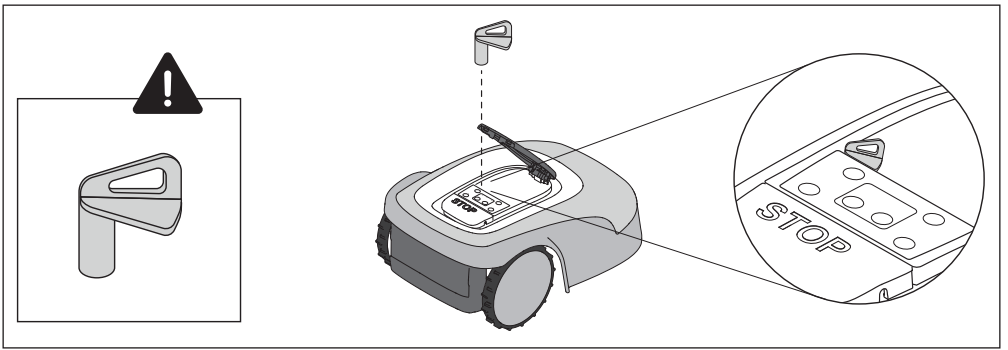


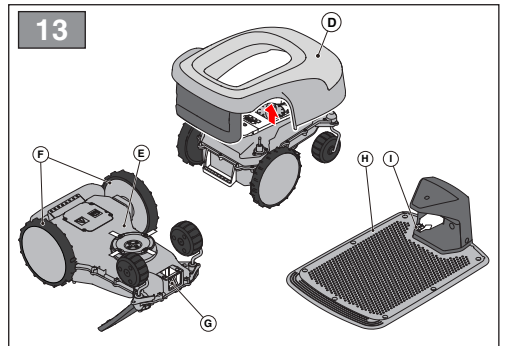
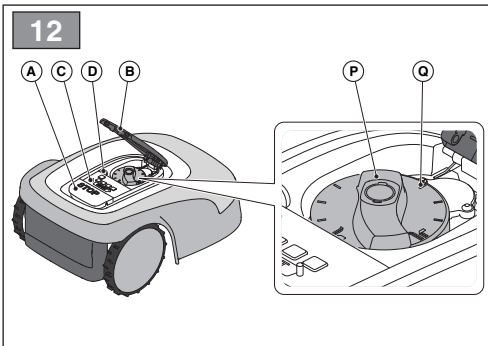
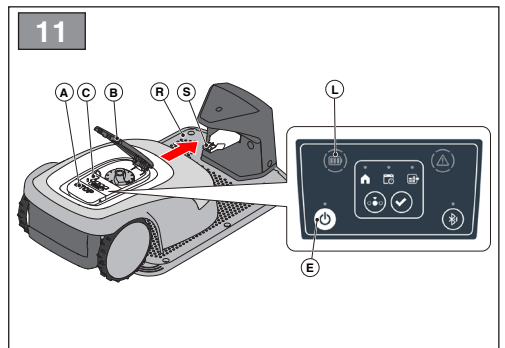
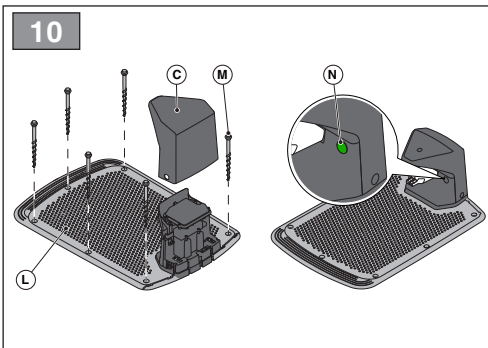
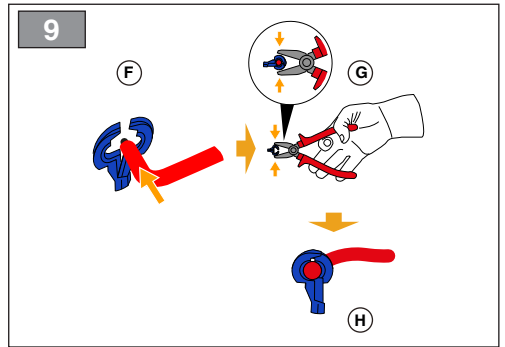
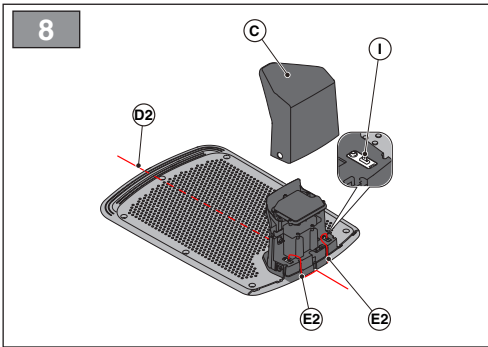
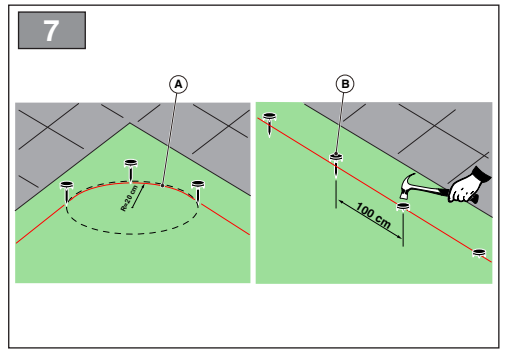
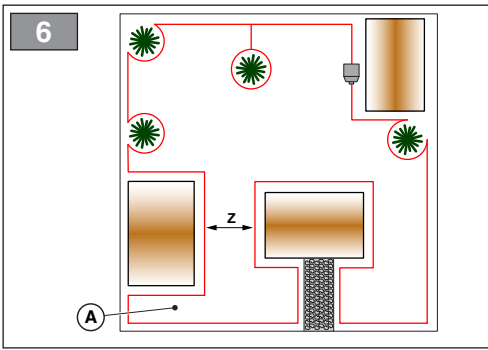
Install Stiga.GO App



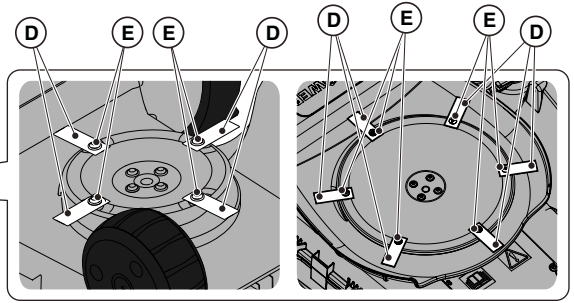
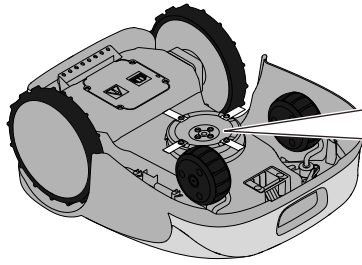
**Register
your
product
now!**

stiga.com/int/product-registration





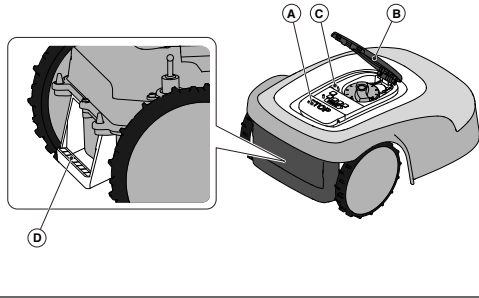
14



SRSW01

SRBW01

15



A C B

D

EN	ENGLISH	1
FR	FRANÇAIS	9
DE	DEUTSCH	17
IT	ITALIANO	26
NL	NEDERLANDS	34
ES	ESPAÑOL	42
PT	PORTUGUÊS	50
NO	NORSK	58
SV	SVENSKA	66
DA	DANSK	74
FI	SUOMI	82
CS	ČESKY	90
PL	POLSKI	98
HU	MAGYAR	106
ET	EESTI	114
HR	HRVATSKI	122
LT	LIETUVIŠKAI	130
LV	LATVIEŠU	138
SL	SLOVENŠČINA	146
RU	РУССКИЙ	154

The complete instruction Manual is available:

- ▷ on the website stiga.com
- ▷ on the STIGA GO app, available on the App Store and Google Play
- ▷ by scanning the QR code



NOTE: The instructions in this manual apply to all cable-guided robot lawnmower models. All illustrations, unless otherwise indicated, refer to the SRSW01 platform.

NOTE: This manual contains basic instructions, mainly related to safety. For correct installation, the complete instruction manual (see above) must be read and followed carefully.

1. SAFETY

OBLIGATION:

Read carefully before use and store for future reference.

1.1. SAFE OPERATING PROCEDURES

Training

- a. Read the instructions carefully, learn the controls and the correct use of the machine.
- b. Never allow children, persons with reduced physical, sensory or mental capabilities, or lack of experience and knowledge, or persons unfamiliar with these instructions, to operate the machine. Local regulations may limit the age of the operator.
- c. The operator, or user, is to be held responsible for accidents or hazards involving third parties or third party equipment.

Preparation

- a. Make sure that the automatic system of perimeter delimitation is installed correctly as indicated.
- b. Periodically check the area where the machine is used and remove stones, sticks, cables and any other foreign objects that may interfere with its operation.
- c. Periodically carry out a visual inspection of the blades, blade bolts and of the cutting unit to check that they are not worn out or damaged. Replace worn out or damaged blades and bolts in pairs to maintain the balance of the machine.
- d. Warning signs must be placed around

the working area of the machine if it is used in public areas or areas open to the public. Signs must read as follows: "Warning! Automatic lawn mower! Keep away from the machine! Children must be supervised!"

1.1.1. OPERATION

General information

- a. Do not operate the machine with defective guards or safety devices that are not present, for example without protections.
- b. Do not put hands or feet near or under the rotating parts. Always keep away from the drain opening.
- c. Do not touch any moving parts of the machine until they have come to a complete stop.
- d. Always wear sturdy shoes and long trousers when operating the machine.
- e. Never lift or transport the machine when the motor is running.
- f. Remove the disabling device from the unit:
 - Before removing an obstruction;
 - Before checking, cleaning or working on the machine;
 - If hit by a foreign object, to check for possible damage to the machine;
 - If the machine starts to vibrate abnormally, check for damage before restarting it.
- g. Do not leave the machine in operation unattended in the presence of pets, children or other people nearby.

Maintenance and storage

- a. Tighten all nuts, bolts and screws securely for safe operation of the machine.
- b. Frequently check the robot lawn mower for wear or deterioration.
- c. For safety reasons it is necessary to replace worn out or damaged parts.
- d. Make sure that the blades are replaced only with suitable spare parts.

- e. Make sure the batteries are recharged using the correct charger recommended by the manufacturer. Incorrect use can cause electric shock, overheating or leakage of corrosive liquid from the battery.
- f. In case of electrolyte leaks, wash with water / neutralizing agent and consult a doctor in case of contact with eyes, etc.
- g. Machine maintenance must be carried out in accordance with the manufacturer's instructions.

Residual Risks

- Although the product complies with all safety requirements, additional risks may still exist due to improper installation and/or unforeseeable circumstances. Therefore, the area on which the product will operate must be free of objects, people and animals, and all persons who may have access, even occasionally, to the work area must be informed of the possible hazards.

- In the event of thunderstorms with risk of lightning and in anticipation of bad weather conditions in general, it is recommended not to use the product and to disconnect the perimeter cable from the charging base and all peripheral devices from the mains. To use the product, reconnect the perimeter cable and peripherals to the mains following the manual's instructions.

1.2. PRODUCT DESCRIPTION

The robot lawn mower is designed to mow the grass around areas of the garden delimited by the perimeter cable. The operating principle is based on random navigation. The robot lawn mower changes trajectory whenever the perimeter cable or an obstacle is detected. Any other usage may be hazardous and harm persons and/or damage things. Improper use includes (for example, but not limited to): transporting people, children or animals on the machine; being transported by the machine; using the machine to pull or push loads; using the machine for cutting non-grass vegetation. Platform TYPE: SRBW01 is equipped with a 3G/4G module with SIM card and a GNSS module, allowing the remote control of the robot lawn mower and navigation assistance functions.

1.3. SYMBOLS AND NAMEPLATES



WARNING:
Read the user instructions before starting the product.



WARNING:
Danger of projections of objects against the body. Keep an adequate safe distance from the machine while it is running.



WARNING:
Do not put hands and feet near or under the opening of the cutting means. Remove the disabling device before operating on the machine or before lifting it.



WARNING:
Do not put hands and feet near or under the opening of the cutting means. Do not stand on the machine.



BAN:
Make sure that there are no people (especially children, elderly or disabled) and pets in the working area during the operation of the machine. Keep children, pets and other people at a safe distance when the machine is functioning.



BAN:
Do not use high pressure cleaners on the machine to clean or wash it.



Appliance with insulation class III, powered by battery (Robot Lawn mower) or special power supply unit (Charging Base and Reference Station).



Use the original power supply with the specifications on the rating plate.



DC power supply symbol.

IPXX

Protection rating against the ingress of solids and water.



Electrical and Electronic Equipment Waste, to be taken to designated facilities for recycling and disposal.



Guaranteed sound power level

1.4. STOPPING AND TURNING OFF THE ROBOT LAWN MOWER IN SAFE CONDITIONS



OBLIGATION:

Always switch off the robot lawn mower in safe conditions before any cleaning, transport or maintenance operation.

1. Press the "STOP" button (Fig. 1.A) to stop the robot lawn mower safely and open the protective cover (Fig. 1.B).
2. Press the off button (Fig. 1.E) for a few seconds and wait for the LED on the same button to go out.
3. Only after the LED has gone out (Fig. 1.E), remove the safety key (Fig. 1.D) to switch off the robot lawn mower in safe conditions.
4. The robot lawn mower is stopped or switched off in a safe condition.

2. INSTALLATION



WARNING:

Do not modify, tamper with, elude or eliminate the safety devices installed.

NOTE: For further clarification on the installation of the product please contact a STIGA dealer.

INSTALLATION COMPONENTS (Fig. 2)

(A) Charging base, (B) Power supply, (C) Perimeter cable, (D) Perimeter cable fixing pegs, (E) Fixing screws for the charging base, (F) Joint for perimeter cable, (G) Charging base connectors

2.1. VERIFICATION OF THE INSTALLATION REQUIREMENTS

2.1.1. GARDEN ASSESSMENT:

- Check the garden condition in accordance with Chap. 1.
- Level the ground to prevent puddles from forming after a rainfall.

2.1.2. CHECKS FOR THE INSTALLATION OF THE CHARGING BASE AND POWER SUPPLY:



ELECTRICAL HAZARD:

It is absolutely necessary to provide an electrical outlet that complies with the relevant laws of the country.



ELECTRICAL HAZARD:

The circuit provided must be protected by a residual current device (RCD) with an activation current not exceeding 30 mA.



ELECTRICAL HAZARD:

Do not connect the power supply to an electrical outlet if the plug or the cable is damaged.

Do not connect or touch a damaged cable before it is disconnected from the power supply.

A damaged cable can lead to contact with live parts.

1. Provide a flat surface at the edge of the lawn to position the charging base.
2. Ensure that the distance of the base from any bends is at least 200 cm.



WARNING:

The power cable, power supply unit, extension cord and all other electric cables which do not belong to the product must remain outside the cutting area to maintain their distance from hazardous moving parts and prevent damage to cables which may come into contact with live parts.

3. Set up the installation area of the power supply unit in such a way as to prevent it from being submerged by water under all weather conditions. Preferably install in a closed room and protected from weather conditions, in a location not easily accessible by unauthorised persons.

2.1.3. MAIN VERIFICATIONS FOR THE INSTALLATION OF THE PERIMETER CABLE:

1. Check that the maximum slope of the work area is less than or equal to 45% or 50% depending on the model (see Par. 7 TECHNICAL DATA), and comply with the rules shown in Fig. 3.



WARNING:

The robot can mow surfaces with a maximum slope of 45% or 50% depending on the model. In case of non-compliance with the instructions, the robot may slip and exit the work area



WARNING:

Areas with slopes higher than allowable slopes cannot be mowed. Then place the perimeter cable before the slope, excluding that area of lawn from the mowing.

2. Check the entire work surface: assess the obstacles and areas to be excluded from the work area, which must be delimited with the perimeter cable.

2.2. CRITERIA FOR INSTALLING THE PERIMETER CABLE


Following are the criteria used to install the perimeter cable, for more detailed information please refer to the complete instruction Manual.

MINIMUM DISTANCES		
STRUCTURAL ELEMENT	MINIMUM INSTALLATION DISTANCE OF THE CABLE WITH RESPECT TO THE STRUCTURAL ELEMENT	
	TYPE	
Paving or driveway at the same level as the lawn	SRSW01	5 cm
	SRBW01	5 cm
Moat or Walls		35 cm / 45 cm
Hedge or plant with protruding roots		30 cm / 40 cm

Swimming pool, Overflow pond, Unprotected public road	90 cm	100 cm
Swimming pool or road at the end of a descent	150 cm	150 cm


TYPES OF OBSTACLE DELIMITATIONS		
X-PASSAGE BETWEEN TWO DIFFERENT SECTIONS OF PERIMETER CABLE		
TYPE		
SRSW01	SRBW01	
X \geq 70 cm (Fig. 4)	X \geq 90 cm (Fig. 4)	The obstacle can be delimited by overlapping the outward and return cable sections without crossing them.
X < 70 cm (Fig. 5)	X < 90 cm (Fig. 5)	The obstacle can be delimited by spacing the two sections of the outward and return cable by at least Y= 30 cm. If the obstacle is sufficiently robust it can be left unprotected.


TRANSITIONS BETWEEN DIFFERENT AREAS OF THE GARDEN		
CORRIDOR WIDTH Z		
TYPE		
SRSW01	SRBW01	
Z \geq 70cm (Fig. 6)	Z \geq 90cm (Fig. 6)	The area (Fig. 6 A) can be reached by the robot lawn mower.
Z < 70cm (Fig. 6)	Z < 90cm (Fig. 6)	The area (Fig. 6 A) cannot be reached by the robot lawn mower and is considered a "Closed Area".


 **CAUTION:**
The operating area and in general the areas where the robot lawn mower can navigate must be delimited by a non-crossable fence. Ensure that the fence is suitably enclosed or monitor the robot lawn mower while operating.

2.3. COMPONENTS INSTALLATION

 **ELECTRICAL HAZARD:**
Only use the battery charger and power supply provided by the manufacturer. Improper use may cause electric shock and/or overheating.

 **CAUTION:**
Danger of cutting hands. Use protective gloves to avoid cutting your hands.

 **CAUTION:**
Danger of dust in the eyes. Use safety glasses to avoid the danger of dust in the eyes.


 **ELECTRICAL HAZARD:**
Connect the power supply only at the end of all the installation operations. If necessary during the installation, turn off the general power supply.

2.3.1. INSTALLATION OF THE PERIMETER CABLE

POSITIONING WITH PEGS

1. Run the perimeter cable starting from the installation area of the charging base.
2. Run the cable along the entire length of the route and secure it using the pegs provided (Fig. 7.B) approximately 100 cm apart, and complying with the installation requirements provided (See par. 2.2).
3. Leave 2 m of cable or more to subsequently cut it to size in the final phase of connection.
4. When making a bend, position the cable in such a way to ensure that the bending radius is approximately 20 cm (Fig. 7.A).

MAXIMUM LENGTH OF PERIMETER CABLE	STIGA CABLES COMPATIBLE WITH THE INSTALLATION	
< 400m	Code 1127-0000-01	150 m Reel, Ø 2.7 mm
	Code 1127-0001-01	300 m Reel, Ø 2.7 mm
	Code 1127-0002-01	500 m Reel, Ø 3.4 mm
	Code 1127-0003-01	1000 m Reel, Ø 3.4 mm
\geq 400m up to max. 1000m	Code 1127-0002-01	500 m Reel, Ø 3.4 mm
	Code 1127-0003-01	1000 m Reel, Ø 3.4 mm

 **WARNING:**
Make sure that the cable is in contact with the ground along its path to prevent the robot lawn mower from damaging it.

NOTE: The perimeter cable used for installation must be at least 40 m. long. If the cable is shorter, it will be necessary to install the resistor code 122063053/0. Refer to the complete instruction Manual.

2.3.2. CHARGING BASE INSTALLATION

Install the charging base aligned with the perimeter cable so that the robot will be able to access it by navigating the perimeter cable clockwise.

1. Check the installation requirements as indicated in par.2.2.
2. If necessary, prepare the ground so that the surface of the charging base is at the same level as the lawn, the ground must be perfectly flat and compact in order to avoid deformation of the surface of the charging base.

3. Remove the cover (Fig. 8.C).
4. Position the charging base aligned with the perimeter cable (Fig. 8.D2) so that the robot is able to access it by navigating around the perimeter cable clockwise.
5. Insert the two ends of the cable into the appropriate slots (Fig. 8.E2).
6. Cut the ends of the cables to the exact length.
7. Apply the self-drilling connectors on the cable (Fig. 9.F),(Fig. 9.G),(Fig. 9.H).
8. Connect the connectors to the terminals (Fig. 8.I).
9. Fix the charging base (Fig. 10.L) to the ground with the fixing screws (Fig. 10.M).
10. Put the cover back on (Fig. 10.C).
11. Connect the power supply unit to the charging base and screw in the connector.
12. Connect the power supply plug to the electrical outlet.
13. Make sure that when the robot lawn mower is not in the charging base, the warning light on the charging base (Fig. 10.N) is lit with a fixed light (see Chap. 3.3)

2.4. CHARGING THE ROBOT LAWN MOWER AFTER INSTALLATION

When charged for the first time, the batteries must remain connected for at least 2 hours.

2.5. PRODUCT SETTINGS

The automatic operation of the robot lawn mower requires a series of settings that can be made via mobile device (smart phone) iOS or Android with the "STIGA GO" App installed.

NOTE: For a more detailed description of the available functions, please refer to the Complete Instruction Manual.

3. OPERATION

3.1. MANUAL FUNCTIONING OF THE ROBOT LAWN MOWER

The robot lawn mower can be used without performing the programming procedure described (See Par.2.5). In this mode the robot lawn mower carries out a work cycle, returns to the charging base and remains there until the next manual start.

1. Place the robot mower on the charging base or within the perimeter of the installation.
2. Press the "STOP" button (Fig. 1.A) to open the cover (Fig. 1.B) and access the control panel (Fig. 1.C).
3. Press the "ON/OFF" button (Fig. 1.E) for 5 seconds to switch on the robot lawn mower.
4. Press the "MODESELECTION" button (Fig. 1.F), until only the icon flashes (Fig. 1.L).
5. Press the "CONFIRM" push button (Fig. 1.G). The icon (Fig. 1.L) is lit with a fixed light to confirm the operation.
6. Close the cover (Fig. 1.B). The robot lawn mower will start operating.

NOTE: this mode may not guarantee adequate coverage of the garden, both in terms of time required and in terms of uniformity of the cutting result, especially if the garden has an irregular shape. To achieve the maximum efficiency of the robot lawn mower, it is recommended to carry out programming (See par. 2.5).

3.2. DESCRIPTION OF THE CONTROLS ON THE ROBOT LAWN MOWER

List of controls, indicators and their function:

- Press the "STOP" push button (Fig. 1.A): it is used to stop the robot lawn mower safely.
- "SAFETY KEY" (Fig. 1.D): it is used to stop the robot lawn mower safely.
- "ON/OFF" button (Fig. 1.E) is used to turn the robot lawn mower on and off and to reset the alarms.
- "SELECT MODE" push button (Fig. 1.F): it is used to select the operating mode of the robot lawn mower and to force it to return to the charging base.
- "CONFIRM" push button (Fig. 1.G): it is used to confirm the set operating mode.
- "SCHEDULED PROGRAMME" luminous icon (Fig. 1.I): it is used to display the scheduled programme settings.
- "SINGLE WORK CYCLE" luminous icon (Fig. 1.L): is used to display the single work cycle settings.
- "RETURN TO BASE" luminous icon (Fig. 1.H): it is used to display the settings of the forced return of the robot lawn mower to the charging base.
- "BLUETOOTH" push button (Fig. 1.M) is only used by the service centre for diagnostic purposes.
- "ALARM" luminous icon (Fig. 1.N): it is used to display alarm statuses.
- "BATTERY" luminous icon (Fig. 1.O): it is used to display the battery charge level.

NOTE: For a more detailed description of the commands listed above, please refer to the Complete Instruction Manual.

3.3. CHARGING BASE OPERATION

The charging base is equipped with a warning light (Fig. 10.N) which lights up as shown below:

- Warning light off: the charging base is powered off or the robot is on the base.
- Steady indicator light: the perimeter cable is correctly connected to the charging base, and the perimeter signal is correctly transmitted.
- Warning light with slow flashing: the perimeter cable is not connected or it's interrupted.
- Warning light with fast flashing: the perimeter cable is too short or there is a fault in the charging base.

3.4. BATTERY CHARGING

The "BATTERY CHARGING" procedure allows to recharge the robot lawn mower manually.

1. Position the robot lawn mower on the charging base (Fig. 11.R).
2. Slide the robot lawn mower onto the charging base, until the charging connector is engaged (Fig. 11.S).
3. Press the "STOP" button (Fig. 11.A) to open the cover (Fig. 11.B) and access the control panel (Fig. 11.C).
4. Turn the robot lawn mower on with the "ON/OFF" button (Fig. 11.E).
5. The "BATTERY" luminous icon (Fig. 11.L) flashes, the robot lawn mower is charging.
6. Close the cover (Fig. 11.B).
7. Leave the robot lawn mower to charge for at least the time shown in Par. 2.4.

NOTE: Charging the battery before winter storage should be carried out as shown in Par. 4.3.

3.5. CUTTING HEIGHT ADJUSTMENT

PLATFORM TYPE SRSW01 - MANUAL ADJUSTMENT

1. Switch off the robot lawn mower in safety conditions (see par. 1.4).
2. Use the height adjuster (Fig. 12.P) to select the desired cutting height so that the patch of grass being cut is not higher than 10 mm.

NOTE: The length of the grass cut by the robot lawn mower must not exceed 10 mm.

PLATFORMTYPESRBW01 - ELECTRICALLY ADJUSTABLE

Follow APP wizard to adjust the cutting height. The blade height adjustment system requires an initial calibration and subsequent periodic calibrations, which are performed automatically. Calibration can also be performed manually using the dedicated menu in the App.



CAUTION:
Do not touch the cutting means when adjusting the cutting height.

NOTE: The length of the grass cut by the robot lawn mower must not exceed 10 mm.

4. MAINTENANCE



CAUTION:
Only use original spare parts.



CAUTION:
Do not modify, tamper with, elude or eliminate the safety devices installed.



CAUTION:
Danger of cutting hands.
Use protective gloves to avoid cutting your hands.



CAUTION:
Danger of dust in the eyes.
Use safety glasses to avoid the danger of dust in the eyes.



WARNING:
Too much water can filter in and damage electrical parts.



BAN:
Do not use pressurized water jets.



BAN:
To avoid irreversible damage to the electrical and electronic components, do not immerse the robot lawn mower, partially or completely, in water.



BAN:
Do not wash the internal parts of the robot lawn mower to avoid damaging the electrical and electronic components.



BAN:
Do not use solvents or petrol so as not to damage varnished surfaces and plastic parts.

4.1. SCHEDULED MAINTENANCE

For a better operation and longer life, be sure to clean the product regularly and replace worn parts.

Perform the interventions following the frequency indicated in the table.

FREQUENCY	COMPONENT	TYPE OF INTERVENTION
Weekly	Blade	Clean and check blade efficiency (See Par. 4.2) If the blade is bent due to impact or if it's worn, replace it. (See Par. 4.2)
	Recharging contacts	Clean and eliminate any oxidising. (See the complete instruction Manual)
Monthly	Robot lawn mower	Carry out cleaning. (See the complete instruction Manual)
	Charging base and power cables	Check for wear or deterioration and replace if necessary. (See the complete instruction Manual)
At the end of the mowing season or every six months if the robot lawn mower is not used	Battery	Perform the pre-storage charging of the battery. (See Par. 4.3)
Annual or at the end of the cutting season	Robot lawn mower	Carry out the servicing at an authorized service centre. (See Par. 4.1)

It is necessary to carry out a maintenance servicing annually at an authorized service centre to keep the robot lawn mower in good working conditions.

NOTE: any malfunction due to not having carried out the annual servicing will not be recognized under warranty.

4.2. REPLACEMENT OF THE CUTTING BLADES

1. Switch off the robot lawn mower in safety conditions (see par. 1.4).
2. Turn the robot lawn mower upside down, taking care not to damage the floating cover.
3. Unscrew the fixing screws (Fig. 14.E).
4. Replace the cutting blades (Fig. 14.D).
5. Tighten the fixing screws (Fig. 14.E).

4.3. WINTER BATTERY MAINTENANCE AND STORAGE

1. Charge the battery according to the guided procedure in the App, accessible from the "Settings" page.
2. Clean the robot lawn mower (see the the Complete Instruction Manual).
3. Check the robot lawn mower is switched off and store in a dry place, protected from icy conditions.

NOTE: For more detailed information on the winter charging procedure, please refer to the Complete Instruction Manual.

NOTE: Registering the charge through the app procedure is required for the battery warranty to be valid.

5.2. STORAGE

The robot lawn mower must be stored horizontally in a dry and frost-free place after cleaning and charging the battery in the winter (see Chap. 4). During long periods of inactivity, disconnect the charging base from the mains.

5.3. DISPOSAL



CAUTION:

To remove the battery from the robot lawn mower, contact an authorized service centre.

4.4. BATTERY REPLACEMENT

Battery replacement is the sole responsibility of the STIGA TECHNICAL ASSISTANCE STAFF.

If the battery needs to be replaced, contact a service centre or your retailer.

5. TRANSPORT, STORAGE AND DISPOSAL

5.1. TRANSPORT

NOTE: We recommend using the original packaging for transport over long distances.

1. Switch off the robot lawn mower in safety conditions (see Par. 1.4).
2. Clean the robot lawn mower (see the the Complete Instruction Manual).
3. Lift the robot lawn mower by its handle (Fig. 15.D) and carry it, making sure to keep the cutting blade away from the body.

1. Dispose of the product packaging in a sustainable way in the appropriate collection containers or at special centres authorized for collection.
2. Dispose of the robot lawn mower in accordance with local legal requirements.
3. Contact appropriate facilities for recycling and disposal as the robot lawn mower is classified as WEEE (Waste Electrical and Electronic Equipment).
4. Dispose of old or used batteries in a sustainable way in collection containers or at authorized collection centres.

6. TROUBLESHOOTING



CAUTION:

Stop the robot lawn mower and bring it back to safety conditions (See Par. 1.4).

Below there is the list of any anomalies that may arise during the work phase.

PROBLEM	CAUSES	SOLUTIONS
Abnormal vibrations. The robot lawn mower is noisy.	Damaged cutting disc or blades	Replace the damaged components (See Par. 4.2).
	Cutting device blocked by residues (tapes, ropes, plastic fragments, etc.).	Switch off the robot lawn mower in safety conditions (See Par. 1.4). Unlock the cutting blade.
	The robot lawn mower was started in the presence of unexpected obstacles (fallen branches, forgotten objects, etc.).	Switch off the robot lawn mower in safety conditions (See Par. 1.4). Remove the obstacles and restart the robot lawn mower.
	Electric motor failure	Replace the motor, contact the nearest authorized service centre.
The robot lawn mower does not position itself properly inside the charging station.	Grass too tall	Increase the cutting height (See Par. 3.5). First mow the area with a normal lawnmower
	Incorrect position of the perimeter cable.	Check the connection of the charging station (See Par. 2.3.2).
The robot lawn mower behaves abnormally around perimeter obstacles.	Land subsidence in the vicinity of the charging base.	Restore the correct positioning of the charging base. (See Par. 2.3.2).
	Perimeter cable laid in the wrong way	Reposition the perimeter cable correctly (clockwise) (See Par. 2.3.1).
The charging base light does not turn on when the robot is out of the charging base.	The supply voltage is missing or there is a fault in the charging base.	Check that the power supply unit is plugged in correctly. Check the integrity of the power supply connection cable.
The charging base light turns on slowly	The perimeter cable is not connected or is broken	Check the installation and repair the break (See Par. 2.3)
The charging base light turns on with quick flashing	the perimeter cable is too short or there is a fault in the charging base.	Check that the length of the perimeter cable is greater than indicated in Par. 2.3.2. If the problem persists, contact a service centre.
The warning icon is on the keyboard	It indicates anomaly / failure conditions.	For more info consult the app or refer to the Complete Instruction Manual.

7. TECHNICAL DATA

SPECIFICATIONS	TYPE: SRSW01 (see product label)	TYPE: SRBW01 (see product label)
Dimensions (WxHxD)	413 x 252 x 560 [mm]	529 x 299 x 695 [mm]
Weight of the robot lawn mower	Depending on the model: 7,9 [kg] - 8,2 [kg] (*) (uncertainty +/- 0.1 [kg])	Depending on the model: 12,8 [kg] - 13,5 [kg] (*) (uncertainty +/- 0.1 [kg])
Cutting height (Min-Max)	20-60 [mm]	20-65 [mm]
Blade diameter	180 [mm]	260 [mm]
Cutting speed	2850 +/- 50 [rpm]	2400 +/- 50 [rpm]
Speed of movement	22 [m/min]	Depending on the model: 24 [m/min]; 28 [m/min] (*)
Maximum slope	45%	50%
Maximum slope along the perimeter		20%
Type of cutting system	4 pivoting cutting blades	6 pivoting cutting blades
Cutting device code	322104105/0	
Sound power level detected	57 [dB] (A)	56 [dB] (A)
Uncertainty of noise emissions, KWA	1.47 [dB] (A)	0.56 [dB] (A)
Sound power level guaranteed	59 [dB] (A)	57 [dB] (A)
Acoustic pressure level at the operator's ear	46.3 [dB] (A)	45.2 [dB] (A)
IP rating of the robot lawn mower		IPX5
IP rating of the charging station		IPX1
IP rating of the power supply		IP67
Robot lawn mower operating ambient temperature [° C]		0 ÷ 50
Charging station operating ambient temperature [° C]		-10 ÷ 50
Power supply ambient operating temperature [° C]		-10 ÷ 50
Work capacity	Depends on model (*)	Depends on model (*)
Power supply	Input: 100-240 Vac, 1.2 A; Output: 30 VDC, 2 A Use one of the original codes below or subsequent updates (consult an authorised STIGA dealer) 118204158/0 (UE) 118204161/0 (UK) 118204163/0 (CH)	Input: 200-240 Vac, 0.8 A; Output: 30 VDC, 4 A Use one of the original codes below or subsequent updates (consult an authorised STIGA dealer) 118204159/0 (UE) 118204162/0 (UK) 118204164/0 (CH)
30 VDC extension cables permitted	Use one of the original codes below or subsequent updates (consult an authorised STIGA dealer) Code: 1127-0010-01, Length 5 m Code: 1127-0020-01, Length 15 m	
Battery model	Depending on the model: 25,2V - 2Ah; 25,2V - 2,5Ah; 25,2V - 5Ah; 25,2V - 6Ah (*)	Depending on the model: 25,2V - 5Ah; 25,2V - 6Ah; 25,2V - 2x5Ah; 25,2V - 2x6Ah (*)
Charging time	Depending on the model: 60 [min]; 80 [min]; 150 [min] (*)	Depending on the model: 150 [min]; 180 [min] (*)
Operating time	Depending on the model: 60 [min]; 90 [min]; 150 [min] (*)	270 [min]
Connectivity:	Bluetooth®	Bluetooth®, 4G, 3G, GSM
Navigation technology		GNSS

(*) For further details on the specific model, please consult the complete Manual available online (see QR code on the first page of this booklet).

Le Manuel d'utilisation complet est disponible :

- ▷ sur le site web stiga.com
- ▷ sur l'application STIGA GO, disponible sur App Store et Google Play
- ▷ en flashant le QR code



REMARQUE : les instructions de ce Manuel s'appliquent à tous les modèles de robots tondeuses à câbles guidés. Les figures, sauf indication contraire, font référence à la plateforme SRSW01.

REMARQUE : ce Manuel contient les instructions de base, principalement liées à la sécurité. Pour une installation correcte, lire et suivre attentivement le Manuel d'utilisation complet (voir ci-dessus).

1. SÉCURITÉ

OBLIGATION :

Lire attentivement ce Manuel avant utilisation et le conserver pour toute référence future.

1.1. PRATIQUES DE TRAVAIL SÛRES

Formation

- a. Lire attentivement les instructions, se familiariser avec les commandes et l'utilisation correcte de la machine.
- b. Ne jamais laisser les enfants, les personnes aux capacités physiques, sensorielles ou mentales réduites, ou manquant d'expérience et de connaissances, ou les personnes ne connaissant pas ces instructions, utiliser la machine. La réglementation locale pourrait limiter l'âge de l'utilisateur.
- c. L'opérateur, ou utilisateur, est responsable des accidents ou des dangers impliquant des tiers ou des équipements de tiers.

Préparation

- a. Vérifier que le système de clôture automatique du périmètre est correctement installé, conformément aux instructions.
- b. Inspecter périodiquement la zone où la machine est utilisée et enlever pierres, bâtons, câbles et autres corps étrangers qui pourraient gêner son fonctionnement.
- c. Effectuer périodiquement une inspection visuelle des lames, des boulons des lames et de l'organe de coupe pour vérifier qu'ils ne sont pas usés ou endommagés. Remplacer les lames et les boulons usés ou endom-

magés à deux afin de maintenir l'équilibre de la machine.

- d. Des panneaux d'avertissement doivent être placés autour de la zone de travail de la machine si elle est utilisée dans des zones publiques ou accessibles au public. Les panneaux doivent contenir le texte suivant : « Attention ! Tondeuse automatique ! Ne pas s'approcher de la machine ! Surveiller les enfants ! ».

1.1.1. FONCTIONNEMENT

Informations générales

- a. Ne pas démarrer la machine avec des protections défectueuses ou des dispositifs de sécurité manquants, par exemple sans protections.
- b. Ne pas mettre les mains ou les pieds à proximité ou sous les parties en rotation. Toujours se tenir à l'écart de l'ouverture d'éjection.
- c. Ne pas toucher les parties mobiles de la machine avant leur arrêt complet.
- d. Lors du fonctionnement de la machine, toujours porter des chaussures de travail solides et des pantalons longs.
- e. Ne jamais soulever ni transporter le robot lorsque le moteur est en marche.
- f. Retirer le dispositif de désactivation de l'unité :
 - Avant d'éliminer une obstruction ;
 - Avant toute opération de nettoyage, de vérification ou de réparation de la machine ;
 - En cas de choc avec un objet étranger, pour vérifier que la machine n'est pas endommagée ;
 - Si la machine commence à vibrer anormalement, pour vérifier les dommages éventuels avant de la remettre en marche.
- g. Ne pas laisser la machine en marche sans surveillance lorsque des animaux domestiques, des enfants ou d'autres personnes se trouvent à proximité.

Entretien et conservation

- Serrer tous les écrous, boulons et vis pour que la machine fonctionne en toute sécurité.
- Vérifier fréquemment l'usure ou la détérioration du robot tondeuse.
- Pour des raisons de sécurité, les parties usées ou endommagées doivent être remplacées.
- Veiller à ce que les lames soient remplacées uniquement par des pièces détachées d'origine.
- Vérifier que la batterie est rechargée à l'aide du chargeur préconisé par le producteur. Une utilisation incorrecte peut entraîner un choc électrique, une surchauffe ou une fuite de liquide corrosif de la batterie.
- En cas de fuite d'électrolyte, rincer avec de l'eau/un agent neutralisant et consulter un médecin en cas de contact avec les yeux, etc.
- L'entretien de la machine doit être effectué conformément aux instructions du producteur.

Risques résiduels

- Bien que le produit soit conforme à toutes les exigences en matière de sécurité, des risques supplémentaires peuvent subsister en raison d'une installation incorrecte et/ou de situations imprévisibles.

Il est donc nécessaire de maintenir la zone sur laquelle le produit fonctionne exempte d'objets, de personnes et d'animaux, et d'informer toutes les personnes qui peuvent avoir accès, même occasionnellement, à la zone de travail, des dangers possibles.

- En cas d'orage avec risque de foudre et en général en prévision de mauvaises conditions météorologiques, il est recommandé de ne pas utiliser le produit et de débrancher le câble périphérique de la station de charge et tous les périphériques du réseau électrique. Pour utiliser le produit, rebrancher le câble périphérique et les périphériques au réseau conformément aux instructions fournies dans le Manuel.

1.2. DESCRIPTION DU PRODUIT

Le robot tondeuse est conçu pour tondre l'herbe dans les zones du jardin délimitées par le câble périphérique.

Le principe de fonctionnement est basé sur la navigation aléatoire. Le robot tondeuse change de trajectoire lorsqu'il détecte le câble périphérique ou un obstacle.

Toute autre utilisation peut s'avérer dangereuse et causer des dommages aux personnes et/ou aux choses. L'utilisation inappropriée comprend (sans s'y limiter) : transport de personnes, enfants ou animaux sur la machine ; transport de l'utilisateur par la machine ; utilisation de la machine pour tirer ou pousser des charges ; utilisation de la machine pour couper des végétaux autres que l'herbe.

La plateforme TYPE : SRBW01 est équipée d'un module 3G/4G avec carte SIM et d'un module GNSS, qui permettent la commande à distance du robot tondeuse et des fonctions d'aide à la navigation.

1.3. SYMBOLES ET PLAQUES



ATTENTION :

Lire le mode d'emploi avant de commencer à utiliser le produit.



ATTENTION :

Risque de projection d'objets contre soi. Garder une distance de sécurité de la machine pendant son fonctionnement.



ATTENTION :

Ne pas introduire les mains et les pieds à l'intérieur du logement de l'organe de coupe. Enlever le dispositif de désactivation avant de travailler sur la machine ou de la soulever.



ATTENTION :

Ne pas introduire les mains et les pieds à l'intérieur du logement de l'organe de coupe. Ne pas monter sur la machine.



INTERDICTION :

Veiller à ce qu'il n'y ait pas de personnes (en particulier des enfants, des personnes âgées ou en situation de handicap) et d'animaux domestiques dans la zone de travail pendant que la machine fonctionne.

Garder les enfants, les animaux domestiques et les autres personnes à une distance de sécurité par rapport à la machine lorsque celle-ci est en marche.



INTERDICTION :

Ne pas utiliser de nettoyeurs à haute pression sur la machine pour la nettoyer ou la laver.



Appareil de classe d'isolation III, alimenté par une batterie (Robot tondeuse) ou par un bloc d'alimentation électrique spécial (Station de charge et Station de référence).



Utiliser le bloc d'alimentation électrique d'origine présentant les caractéristiques indiquées sur la plaque signalétique.



Symbole d'alimentation en courant continu.

IPXX

Degré de protection contre la pénétration de solides et d'eau.



Déchets d'équipements électriques et électroniques, à acheminer vers des installations appropriées en vue de leur recyclage et de leur élimination.



Niveau de puissance sonore garanti

1.4. ARRÊTER ET ÉTEINDRE LE ROBOT TONDEUSE DANS DES CONDITIONS DE SÉCURITÉ



OBLIGATION :

Avant toute opération de nettoyage, de transport ou d'entretien, toujours éteindre le robot tondeuse dans des conditions de sécurité.

- Appuyer sur le bouton « ARRÊT » (Fig. 1.A) pour arrêter le robot tondeuse dans des conditions de sécurité et ouvrir le carter de protection (Fig. 1.B).
- Appuyer sur le bouton d'arrêt (Fig. 1.E) quelques secondes et attendre que le voyant du bouton en question s'éteigne.
- Ce n'est qu'après l'arrêt du voyant (Fig. 1.E) qu'on pourra retirer la clé de sécurité (Fig. 1.D) pour éteindre le robot tondeuse dans des conditions de sécurité.
- Le robot tondeuse est arrêté ou désactivé dans des conditions de sécurité.

2. INSTALLATION



ATTENTION :

Ne pas modifier, altérer, désactiver ou éliminer les dispositifs de sécurité installés.

REMARQUE : Pour plus de précisions sur l'installation du produit, prière de contacter un revendeur STIGA.

COMPOSANTS POUR L'INSTALLATION (Fig. 2)

(A) Station de charge, (B) Bloc d'alimentation électrique, (C) Câble périphérique, (D) Clous de fixation du câble périphérique, (E) Vis de fixation de la station de charge, (F) Joint du câble périphérique, (G) Connecteurs pour la station de charge.

2.1. CONTRÔLE DES CONDITIONS REQUISES POUR L'INSTALLATION

2.1.1. CONTRÔLE DU JARDIN :

- Vérifier l'état du jardin conformément à ce qui est décrit au chap. 1.
- Niveler le sol afin d'éviter la formation de flaques d'eau en cas de pluie.

2.1.2. CONTRÔLES POUR L'INSTALLATION DE LA STATION DE CHARGE ET DU BLOC D'ALIMENTATION ÉLECTRIQUE :



DANGER ÉLECTRIQUE :

Une prise électrique conforme à la législation du pays doit être prévue.



DANGER ÉLECTRIQUE :

Le circuit d'alimentation fourni doit être protégé par un dispositif différentiel résiduel (DDR) dont le courant d'activation ne dépasse pas 30 mA.



DANGER ÉLECTRIQUE :

Ne pas brancher le bloc d'alimentation à une prise électrique si la fiche ou le câble sont endommagés. Ne pas connecter ni toucher un câble endommagé avant qu'il ne soit débranché de l'alimentation électrique.

Un câble endommagé peut provoquer des contacts avec des parties sous tension.

- Prévoir une zone plane au bord de la pelouse pour positionner la station de charge.
- S'assurer que la distance entre la station et les tournants éventuels soit d'au moins 200 cm.



ATTENTION :

Le câble d'alimentation, le bloc d'alimentation électrique, la rallonge et tout autre câble électrique n'appartenant pas au produit doivent rester à l'extérieur de la zone de coupe afin de les garder loin des parties dangereuses en mouvement et d'éviter tout dommage aux câbles pouvant entraîner un contact avec des parties sous tension.

- Préparer la zone d'installation du bloc d'alimentation de sorte que, quelles que soient les conditions météorologiques, il ne puisse pas être au contact de l'eau. L'installer de préférence dans un compartiment fermé et protégé des agents atmosphériques, dans un endroit difficile d'accès aux personnes non autorisées.

2.1.3. PRINCIPALES VÉRIFICATIONS POUR L'INSTALLATION DU CÂBLE PÉRIPHÉRIQUE :

- Vérifier que la déclivité maximale de la zone de travail est inférieure ou égale à 45% ou 50%, selon le modèle (voir le paragraphe 7 DONNÉES TECHNIQUES), et respecter les règles indiquées à la Fig. 3.



ATTENTION :

Le robot peut tondre des surfaces présentant une déclivité maximale de 45% ou 50% selon le modèle. Si ces consignes ne sont pas respectées, le robot peut glisser et sortir de la zone de travail



ATTENTION :

Les zones dont la déclivité est supérieure à celle autorisée ne peuvent pas être tondues. Placer ensuite le câble périphérique avant la pente, en excluant cette zone de pelouse de la coupe.

- Contrôler l'ensemble de l'aire de travail : évaluer les obstacles et les zones à exclure de l'aire de travail, qui doivent être délimités par le câble périphérique.

2.2. CRITÈRES POUR L'INSTALLATION DU CÂBLE PÉRIPHÉRIQUE

Ci-après les critères d'installation du câble périphérique. Pour des informations plus détaillées, consulter le Manuel d'utilisation complet.

2.3. INSTALLATION DES COMPOSANTS

DISTANCES MINIMALES		
ÉLÉMENT DE STRUCTURE	DISTANCE MINIMALE D'INSTALLATION DU CÂBLE PAR RAPPORT À L'ÉLÉMENT STRUCTUREL	
TYPE	SRSW01	SRBW01
Pavage ou allée au même niveau que la pelouse	5 cm	5 cm
Fossé, paroi ou muret	35 cm	45 cm
Haie ou plante à racines saillantes	30 cm	40 cm
Piscine, bassin, chemin public non protégé	90 cm	100 cm
Piscine ou route à la fin d'une descente	150 cm	150 cm

TYPES DE DÉLIMITATION DES OBSTACLES		
PASSAGE X ENTRE DEUX SECTIONS DE CÂBLE PÉRIPHÉRIQUE DIFFÉRENTES		
TYPE		
SRSW01	SRBW01	
X \geq 70 cm (Fig. 4)	X \geq 90 cm (Fig. 4)	L'obstacle peut être délimité en superposant les sections de câble aller et retour sans les croiser.
X < 70 cm (Fig. 5)	X < 90 cm (Fig. 5)	L'obstacle peut être délimité en espaçant les deux sections du câble aller et retour d'au moins Y = 30 cm. Si l'obstacle est suffisamment robuste, il peut être laissé sans protection.

PASSAGES ENTRE LES DIFFÉRENTES ZONES DU JARDIN		
LARGEUR COULOIR Z		
TYPE		
SRSW01	SRBW01	
Z \geq 70cm (Fig. 6)	Z \geq 90cm (Fig. 6)	La zone (Fig. 6.A) peut être atteinte par le robot tondeuse.
Z < 70cm (Fig. 6)	Z < 90cm (Fig. 6)	La zone (Fig. 6.A) ne peut pas être atteinte par le robot tondeuse et est considérée comme une « zone fermée ».

**AVERTISSEMENT :**

La zone de travail et, d'une manière générale, les zones où le robot tondeuse peut naviguer doivent être délimitées par une clôture infranchissable.

Adapter la clôture ou surveiller le robot tondeuse pendant son fonctionnement.

**DANGER ÉLECTRIQUE :**

Utiliser uniquement le chargeur de batterie et le bloc d'alimentation fournis par le fabricant. Toute utilisation non appropriée peut provoquer un choc électrique et/ou une surchauffe.

**AVERTISSEMENT :**

Risque de coupure des mains.

Porter des gants de protection pour éviter le risque de coupure des mains.

**AVERTISSEMENT :**

Risque de poussière dans les yeux.

Porter des lunettes de protection pour éviter d'avoir de la poussière dans les yeux.

**DANGER ÉLECTRIQUE :**

Ne pas brancher l'alimentation électrique avant que tous les travaux d'installation soient terminés. Si nécessaire, couper l'alimentation électrique générale pendant l'installation.

2.3.1. INSTALLATION DU CÂBLE PÉRIPHÉRIQUE

POSITIONNEMENT AVEC DES PIQUETS

- Positionner le câble périphérique en partant de la zone d'installation de la station de charge.
- Placer le câble tout au long du parcours, en le fixant avec les piquets appropriés (Fig. 7.B) espacés d'environ 100 cm les uns des autres, et conformément aux exigences d'installation (Voir Paragraphe 2.2).
- Laisser 2 m de câble en abondance afin de pouvoir le couper plus tard lors de la phase finale de branchement.
- Dans les tournants, positionner le câble de façon à ce que le rayon de courbure soit d'environ 20 cm (Fig. 7.A).

LONGUEUR TOTALE DU CÂBLE PÉRIPHÉRIQUE	CÂBLES STIGA COMPATIBLES AVEC L'INSTALLATION	
< 400 m	Code 1127-0000-01	Bobine 150 m Ø 2,7 mm
	Code 1127-0001-01	Bobine 300 m Ø 2,7 mm
	Code 1127-0002-01	Bobine 500 m Ø 3,4 mm
	Code 1127-0003-01	Bobine 1000 m Ø 3,4 mm
\geq 400 m jusqu'à max. 1000 m	Code 1127-0002-01	Bobine 500 m Ø 3,4 mm
	Code 1127-0003-01	Bobine 1000 m Ø 3,4 mm

**ATTENTION :**

Vérifier que le câble est en contact avec le sol tout au long de son parcours pour éviter que le robot tondeuse ne l'endommage.

REMARQUE : Le câble périphérique utilisé pour l'installation doit avoir une longueur minimale de 40 m. Si la longueur du câble est plus courte, il est nécessaire d'installer la résistance code 122063053/0. Se référer au Manuel d'utilisation complet.

2.3.2. INSTALLATION DE LA STATION DE CHARGE

Installer la station de charge dans l'axe du câble périphérique de sorte que le robot puisse y accéder en navigant sur le câble périphérique dans le sens des aiguilles d'une montre.

1. Vérifier les conditions d'installation comme indiqué au paragraphe 2.2.
2. Si nécessaire, préparer le terrain de manière à ce que la surface de la station de charge soit au même niveau que la pelouse, le sol doit être parfaitement plat et compact afin d'éviter toute déformation de la surface de la station de charge.
3. Enlever le couvercle (Fig. 8.C).
4. Positionner la station de charge dans l'axe du câble périphérique (Fig. 8.D2) de sorte que le robot puisse y accéder en navigant sur le câble périphérique dans le sens des aiguilles d'une montre.
5. Insérer les deux extrémités du câble dans les passages appropriés (Fig. 8.E2).
6. Couper les extrémités des câbles à la mesure exacte.
7. Appliquer les connecteurs auto-perforants sur le câble (Fig. 9.F),(Fig. 9.G),(Fig. 9.H).
8. Brancher les connecteurs aux bornes (Fig. 8.I).
9. Fixer la station de charge (Fig. 10.L) au sol avec les vis de fixation (Fig. 10.M).
10. Replacer le couvercle (Fig. 10.C).
11. Connecter le bloc d'alimentation à la station de charge et visser le connecteur.
12. Brancher la fiche du bloc d'alimentation à la prise électrique.
13. Vérifier que lorsque le robot tondeuse n'est pas branché à la station de charge, le voyant lumineux sur le socle (Fig. 10.N) est allumé en continu (voir Chap. 3.3).

2.4. RECHARGER LE ROBOT TONDEUSE APRÈS L'INSTALLATION

Lors de la première charge, les batteries doivent rester branchées pendant au moins 2 heures.

2.5. PARAMÈTRES DU PRODUIT

Le fonctionnement automatique du robot tondeuse nécessite un certain nombre de paramètres qui peuvent être effectués via un appareil mobile (smartphone) iOS ou Android avec l'application « STIGA GO » installée.

REMARQUE : Pour une description plus détaillée des fonctions disponibles, consulter le Manuel d'utilisation complet

3. FONCTIONNEMENT

3.1. FONCTIONNEMENT MANUEL DU ROBOT TONDEUSE

Le robot tondeuse peut être utilisé sans effectuer la programmation décrite (voir le paragraphe 2.5). Dans ce mode, le robot tondeuse effectue un cycle de travail, retourne à la station de charge et y reste jusqu'au démarrage manuel suivant.

1. Placer le robot tondeuse sur la station de charge ou, en tout cas, dans le périmètre de l'installation.
2. Appuyer sur le bouton « ARRÊT » (Fig. 1.A) pour ouvrir le carter (Fig. 1.B) et accéder à la console de commande (Fig. 1.C).
3. Appuyer sur le bouton « ON/OFF » (Fig. 1.E) pendant 5 secondes pour mettre en marche le robot tondeuse.
4. Appuyer sur le bouton « SÉLECTION MODE » (Fig. 1.F), jusqu'à ce que seule l'icône clignote (Fig. 1.L).

5. Appuyer sur le bouton « CONFIRMER » (Fig. 1.G). L'icône (Fig. 1.L) s'allume d'une lumière fixe pour confirmer l'opération.
6. Fermer le carter (Fig. 1.B). Le robot tondeuse commencera à travailler.

REMARQUE : Ce mode pourrait ne pas garantir une couverture totale du jardin, tant en termes de temps nécessaire que d'uniformité du résultat de la coupe, surtout si le jardin n'a pas une forme régulière. Pour obtenir une efficacité maximale du robot tondeuse, il est recommandé d'effectuer la programmation (voir le paragraphe 2.5).

3.2. DESCRIPTION DES COMMANDES PRÉSENTES SUR LE ROBOT TONDEUSE

Liste des commandes, des voyants et leur fonction :

- Bouton « ARRÊT » (Fig. 1.A) : sert pour l'arrêt de sécurité du robot tondeuse.
- « CLÉ DE SÉCURITÉ » (Fig. 1.D) : sert pour la mise hors tension de sécurité du robot tondeuse.
- Bouton « ON/OFF » (Fig. 1.E) : sert pour allumer et éteindre le robot tondeuse et réinitialiser les alarmes.
- Bouton « SÉLECTION MODE » (Fig. 1.F) : sert pour sélectionner le mode de fonctionnement du robot tondeuse et pour forcer le retour à la station de charge.
- Bouton « CONFIRMER » (Fig. 1.G) : sert pour confirmer le mode de fonctionnement défini.
- Icône lumineuse « PROGRAMME PRÉVU » (Fig. 1.I) : sert pour afficher le réglage du programme prévu.
- Icône lumineuse « CYCLE DE TRAVAIL UNIQUE » (Fig. 1.L) : sert pour afficher le paramètre du cycle de travail unique.
- Icône lumineuse « RETOUR AU SOCLE » (Fig. 1.H) : sert pour afficher le réglage du retour forcé à la station de charge du robot tondeuse.
- Bouton « BLUETOOTH » (Fig. 1.M) : est utilisé uniquement par le centre de service à des fins de diagnostic.
- Icône lumineuse « ALARME » (Fig. 1.N) : sert pour afficher les états d'alarme.
- Icône lumineuse « BATTERIE » (Fig. 1.O) : sert pour afficher la charge de la batterie.

REMARQUE : Pour une description plus détaillée des commandes énumérées ci-dessus, consulter le Manuel d'utilisation complet.

3.3. FONCTIONNEMENT DE LA STATION DE CHARGE

La station de charge est muni d'un voyant lumineux (Fig. 10.N) qui s'allume de la façon suivante :

- Voyant éteint : la station de charge est hors tension ou le robot est dans le socle.
- Voyant fixe : le câble périphérique est correctement connecté à la station de charge et le signal périphérique est correctement transmis ;
- Voyant clignotant lentement : le câble périphérique n'est pas connecté ou est interrompu.
- Voyant clignotant rapidement : le câble périphérique est trop court ou il y a une panne de la station de charge.

3.4. CHARGEMENT BATTERIE

La procédure « CHARGEMENT BATTERIE » permet de recharger le robot tondeuse manuellement.

1. Placer le robot tondeuse sur la station de charge (Fig. 11.R).
2. Faire glisser le robot tondeuse à gazon sur la station de charge jusqu'à ce que le connecteur de chargement s'enclenche

(Fig. 11.S).

- Appuyer sur le bouton « ARRÊT » (Fig. 11.A) pour ouvrir le carter (Fig. 11.B) et accéder à la console de commande (Fig. 11.C).
- Allumer le robot tondeuse à l'aide de l'interrupteur « ON/OFF » (Fig. 11.E).
- L'icône lumineuse « BATTERIE » (Fig. 11.L) clignote, le robot tondeuse est en train de se charger.
- Fermer le carter (Fig. 11.B).
- Laisser le robot tondeuse en charge pendant une durée au moins égale à celle indiquée au Par. 2.4.

REMARQUE : La recharge de la batterie avant son stockage d'hiver doit être effectuée conformément aux instructions du paragraphe 4.3.

3.5. RÉGLAGE HAUTEUR DE COUPE

PLATEFORME TYPE SRSW01 - RÉGLAGE MANUEL

- Éteindre le robot tondeuse en conditions de sécurité (voir Par. 1.4).
- Tourner le régulateur de hauteur (Fig. 12.P) pour sélectionner la hauteur de coupe souhaitée, de sorte que l'herbe coupée ne dépasse pas 10 mm.

REMARQUE : La longueur de l'herbe coupée par le robot tondeuse ne doit pas dépasser 10 mm.

PLATEFORME TYPE SRBW01 - RÉGLABLE ÉLECTRIQUE

Pour régler la hauteur de coupe, suivre la procédure guidée dans l'APPLI.

Le système de réglage de la hauteur de la lame nécessite un calibrage initial et des calibrages périodiques qui s'effectuent automatiquement. Le calibrage peut également être effectué manuellement à partir du menu dédié de l'application.



AVERTISSEMENT :
Ne pas toucher l'organe de coupe lors du réglage de la hauteur de coupe.

REMARQUE : La longueur de l'herbe coupée par le robot tondeuse ne doit pas dépasser 10 mm.

4. ENTRETIEN



AVERTISSEMENT :
Utiliser exclusivement des pièces détachées d'origine.



AVERTISSEMENT :
Ne pas modifier, altérer, désactiver ou éliminer les dispositifs de sécurité installés.



AVERTISSEMENT :
Risque de coupure des mains.
Porter des gants de protection pour éviter le risque de coupure des mains.



AVERTISSEMENT :
Risque de poussière dans les yeux.
Porter des lunettes de protection pour éviter d'avoir de la poussière dans les yeux.



ATTENTION :

L'emploi excessif d'eau peut provoquer des infiltrations et endommager les composants électriques.



INTERDICTION :

Ne pas utiliser de jets d'eau sous pression.



INTERDICTION :

Afin d'éviter des dommages irréversibles aux composants électriques et électroniques, ne pas immerger le robot tondeuse, que ce soit partiellement ou complètement, dans l'eau.



INTERDICTION :

Ne pas laver les parties internes du robot tondeuse, car ceci pourrait endommager les composants électriques et électroniques.



INTERDICTION :

Ne pas laver de solvants ni d'essence pour éviter d'endommager les surfaces peintes et les composants en plastique.

4.1. ENTRETIEN PROGRAMMÉ

Pour un meilleur fonctionnement et une plus longue durée de vie, nettoyer régulièrement le produit et remplacer les parties usées.

Effectuer les opérations selon la fréquence indiquée dans le tableau ci-dessous.

FREQUENCE	COMPOSANT	TYPE D'INTERVENTION
Hebdomadaire	Lame	Nettoyer la lame et vérifier son état de fonctionnement. (voir le paragraphe 4.2) Si la lame est pliée à cause d'une collision ou si elle est très usée, la remplacer. (voir le paragraphe 4.2)
	Points de contact du chargeur	Nettoyer et éliminer toute oxydation. (Voir le Manuel d'utilisation complet)
Mensuel	Robot tondeuse	Procéder à son nettoyage. (Voir le Manuel d'utilisation complet)
	Station de charge et câbles d'alimentation	Vérifier l'usure ou la détérioration et les remplacer si nécessaire. (Voir le Manuel d'utilisation complet)
À la fin de la saison de tonte ou tous les six mois si le robot tondeuse n'est pas utilisé.	Batterie	Faire une recharge avant le stockage de la batterie. (voir le paragraphe 4.3)
Annuel ou à la fin de la saison de tonte	Robot tondeuse	Effectuer le contrôle technique dans un centre d'assistance agréé. (voir le paragraphe 4.1)

Il est nécessaire d'effectuer chaque année un contrôle technique d'entretien dans un centre d'assistance agréé pour maintenir le robot tondeuse dans de bonnes conditions de fonctionnement.

REMARQUE : En cas de non-exécution de l'entretien annuel, les pannes ne seront pas couvertes par la garantie.

4.2. REMPLACEMENT DES LAMES

1. Éteindre le robot tondeuse en conditions de sécurité (voir Par. 1.4).
2. Retourner le robot tondeuse, en prenant soin de ne pas endommager la coque flottante de couverture.
3. Dévisser les vis de fixation (Fig. 14.E).
4. Remplacer les lames (Fig. 14.D).
5. Visser les vis de fixation (Fig. 14.E).

4.3. ENTRETIEN HIVERNAL DE LA BATTERIE ET STOCKAGE

1. Charger la batterie en suivant la procédure guidée de l'application, accessible depuis la page « Paramètres ».
2. Nettoyer le robot tondeuse (voir le Manuel d'utilisation complet).
3. Ranger le robot tondeuse dans un endroit sec, à l'abri du gel, en vérifiant qu'il est bien éteint.

REMARQUE : Pour obtenir des informations plus détaillées sur la procédure de charge hivernale, consulter le Manuel d'utilisation complet.

REMARQUE : L'enregistrement de la recharge via la procédure de l'application est nécessaire pour que la garantie de la batterie reste valable.

4.4. REMPLACEMENT DE LA BATTERIE

Le remplacement de la batterie relève exclusivement de la responsabilité du PERSONNEL D'ASSISTANCE TECHNIQUE DE STIGA.

S'il est nécessaire de remplacer la batterie, contacter un centre d'assistance ou son propre revendeur.

5. TRANSPORT, ENTREPOSAGE ET ÉLIMINATION

5.1. TRANSPORT

REMARQUE : Il est conseillé d'utiliser l'emballage d'origine pour un transport sur de longues distances.

1. Éteindre le robot tondeuse en conditions de sécurité (voir Par. 1.4).
2. Nettoyer le robot tondeuse (voir le Manuel d'utilisation complet).
3. Soulever le robot tondeuse par la poignée (Fig. 15.D) et le transporter en prenant soin de garder la lame de coupe loin du corps.

5.2. STOCKAGE

Le robot tondeuse doit être stocké en position horizontale, dans un endroit sec et à l'abri du gel après le nettoyage et la recharge hivernale de la batterie (voir le Chap. 4). Pendant les longues périodes d'inactivité, débrancher la station de charge du secteur électrique.

5.3. ÉLIMINATION



AVERTISSEMENT :
Contactez un centre d'assistance agréé avant d'enlever la batterie du robot tondeuse.

1. Éliminer l'emballage du produit de manière durable dans les conteneurs de collecte prévus à cet effet ou dans des points de collecte agréés.
2. Éliminer le robot tondeuse conformément aux réglementations locales en vigueur.
3. Contacter les centres de recyclage et d'élimination compétents, car le robot tondeuse est un déchet classé DEEE (Déchets d'équipements électriques et électroniques).
4. Éliminer les batteries usagées ou épuisées de manière durable dans les conteneurs de collecte prévus à cet effet ou dans des points de collecte agréés.

6. RÉOLUTION DES PROBLÈMES



AVERTISSEMENT :
Arrêtez le robot tondeuse et le remettre en conditions de sécurité (voir le paragraphe 1.4).

Ci-après une liste des pannes possibles qui peuvent survenir au cours des cycles de travail.

PROBLÈME	CAUSES	SOLUTIONS
Vibrations anormales. Le robot tondeuse est bruyant.	Disque ou lames de coupe endommagés	Remplacer les composants endommagés (voir le paragraphe 4.2).
	Organe de coupe coincé par des résidus (rubans, cordes, bouts de plastique, etc.).	Éteindre le robot tondeuse en conditions de sécurité (voir le paragraphe 1.4). Débloquer la lame de coupe.
	Le démarrage du robot tondeuse a eu lieu en présence d'obstacles inattendus (branches tombées, objets oubliés, etc.).	Éteindre le robot tondeuse en conditions de sécurité (voir le paragraphe 1.4). Enlever les obstacles et redémarrer le robot tondeuse.
	Moteur électrique en panne.	Remplacer le moteur, contacter le centre d'assistance agréé le plus proche.
Le robot tondeuse ne se positionne pas correctement à l'intérieur de la station de charge.	Herbe trop haute.	Augmenter la hauteur de coupe (voir le paragraphe 3.5). Effectuer une tonte préliminaire de la zone à l'aide d'une tondeuse classique.
	Mauvais positionnement du câble périphérique.	Vérifier le branchement de la station de charge (voir le paragraphe 2.3.2).
	Affaissement du terrain à proximité de la station de charge.	Rétablir le positionnement correct de la station de charge. (voir le paragraphe 2.3.2).

PROBLÈME	CAUSES	SOLUTIONS
Le robot tondeuse se comporte anormalement autour des obstacles du périmètre.	Câble périphérique mal posé.	Repositionner correctement le câble périphérique (dans le sens des aiguilles d'une montre) (voir le paragraphe 2.3.1).
Le voyant de la station de charge ne s'éclaire pas lorsque le robot est hors de la station de charge.	Il n'y a pas d'alimentation électrique ou il y a un défaut sur la station de charge	Vérifier le branchement correct à la prise de courant du bloc d'alimentation électrique. Vérifie le bon état du câble de connexion du bloc d'alimentation électrique.
Le voyant de la station de charge est allumé et clignote lentement	Le câble périphérique n'est pas connecté ou est interrompu	Vérifier l'installation et réparer la rupture (voir le paragraphe 2.3)
Le voyant de la station de charge est allumé et clignote rapidement	Le câble périphérique est trop court ou il y a une panne de la station de charge.	Vérifier que la longueur du câble périphérique est supérieure à celle indiquée au paragraphe 2.3.2. Si le problème persiste, contacter le centre d'assistance.
L'icône d'avertissement est allumée sur le clavier	Signale une anomalie/une panne.	Consulter l'appui pour plus d'informations ou se référer au Manuel d'utilisation complet.

7. DONNÉES TECHNIQUES

SPECIFICATIONS	TYPE : SRSW01 (voir l'étiquette du produit)	TYPE : SRBW01 (voir l'étiquette du produit)
Dimensions (Lxhxh)	413 x 252 x 560 [mm]	529 x 299 x 695 [mm]
Poids du robot tondeuse	En fonction du modèle : 7,9 [kg] - 8,2 [kg] (*) (Incertitude +/-0,1 [kg])	En fonction du modèle : 12,8 [kg] - 13,5 [kg] (*) (Incertitude +/-0,1 [kg])
Hauteur de coupe (Min-Max)	20-60 [mm]	20-65 [mm]
Diamètre lame	180 [mm]	260 [mm]
Vitesse de coupe	2850+/-50 [rpm]	2400+/-50 [rpm]
Vitesse d'avancement	22 [m/min]	En fonction du modèle : 24 [m/min] ; 28 [m/min] (*)
Déclivité maximum	45 %	50 %
Déclivité maximum le long du périmètre		20 %
Type du système de coupe	4 lames de coupe pivotantes	6 lames de coupe pivotantes
Code de l'organe de coupe	322104105/0	
Niveau de puissance acoustique relevé	57 [dB] (A)	56 [dB] (A)
Incertitude des émissions sonores, KWA	1,47 [dB] (A)	0,56 [dB] (A)
Niveau de puissance sonore garanti	59 [dB] (A)	57 [dB] (A)
Niveau de pression acoustique à l'oreille de l'opérateur	46,3 [dB] (A)	45,2 [dB] (A)
Classe IP du robot tondeuse	IPX5	
Classe IP station de charge	IPX1	
Classe IP bloc d'alimentation	IP67	
Température ambiante de fonctionnement du robot tondeuse [°C]	0 ÷ 50	
Température ambiante de fonctionnement de la station de charge [°C]	-10 ÷ 50	
Température ambiante de fonctionnement du bloc d'alimentation [°C]	-10 ÷ 50	
Capacité de travail	En fonction du modèle (*)	En fonction du modèle (*)
Alimentation	Entrée : 100-240 Vca, 1,2 A ; Sortie : 30 Vcc, 2 A Utiliser l'un des codes originaux ci-dessous ou les mises à jour ultérieures (consulter un revendeur agréé STIGA) 118204158/0 (UE) 118204161/0 (UK) 118204163/0 (CH)	Entrée : 200-240 Vca, 0,8 A ; Sortie : 30 Vcc, 4 A Utiliser l'un des codes originaux ci-dessous ou les mises à jour ultérieures (consulter un revendeur agréé STIGA) 118204159/0 (UE) 118204162/0 (UK) 118204164/0 (CH)
Câbles d'extension 30 Vcc admis	Utiliser l'un des codes originaux ci-dessous ou les mises à jour ultérieures (consulter un revendeur agréé STIGA) Code : 1127-0010-01, Longueur 5 m Code : 1127-0020-01, Longueur 15 m	
Modèle batterie	En fonction du modèle : 25,2V - 2Ah ; 25,2V - 2,5Ah ; 25,2V - 5Ah ; 25,2V - 6Ah (*)	En fonction du modèle : 25,2V - 5Ah ; 25,2V - 6Ah ; 25,2V - 2x5Ah ; 25,2V - 2x6Ah (*)
Temps de recharge	En fonction du modèle : 60 [min] ; 80 [min] ; 150 [min] (*)	En fonction du modèle : 150 [min] ; 180 [min] (*)
Durée de travail	En fonction du modèle : 60 [min] ; 90 [min] ; 150 [min] (*)	270 [min]
Connectivité	Bluetooth®	
Technologie de navigation	GNSS	

(*) Pour plus de détails sur le modèle spécifique, consulter le Manuel complet disponible en ligne (voir le QR code sur la première page de ce livret).

DEUTSCH - Übersetzung der Originalbetriebsanleitung

Die vollständige Bedienungsanleitung ist verfügbar:

- ▷ auf der Website stiga.com
- ▷ über die STIGA GO, erhältlich im App Store und bei Google Play
- ▷ durch Scannen des QR-Codes



HINWEIS: Die Anweisungen in dieser Bedienungsanleitung gelten für alle mit Kabel gesteuerten Mährobotermodelle. Die Abbildungen, falls nicht anders angegeben, beziehen sich auf die Plattform SRSW01.

HINWEIS: Diese Bedienungsanleitung enthält grundlegende Anweisungen, die hauptsächlich die Sicherheit betreffen. Für eine korrekte Montage muss die vollständige Bedienungsanleitung (siehe oben) sorgfältig gelesen und befolgt werden.

1. SICHERHEIT

PFLICHT:
Vor Inbetriebnahme sorgfältig lesen und für spätere Verwendung aufbewahren.

1.1. SICHERE BEDIENUNG

Vertrautmachung

- a. Lesen Sie die Anleitung sorgfältig durch und machen Sie sich mit den Bedienelementen und der korrekten Bedienung der Maschine vertraut.
- b. Lassen Sie niemals Kinder, Personen mit eingeschränkten physischen, sensorischen oder mentalen Fähigkeiten oder Mangel an Erfahrung und Wissen oder Personen, die nicht mit dieser Anleitung vertraut sind, die Maschine bedienen. Örtliche Vorschriften können das Alter des Bedieners begrenzen.
- c. Für Unfälle oder Gefahren, an denen Dritte oder fremde Geräte beteiligt sind, ist der Bediener bzw. Benutzer verantwortlich.

Vorbereitung

- a. Stellen Sie sicher, dass das automatische Begrenzungssystem entsprechend den Anweisungen korrekt installiert ist.
- b. Inspizieren Sie regelmäßig den Bereich, in dem die Maschine verwendet wird, und entfernen Sie Steine, Stöcke, Kabel und alle anderen Fremdkörper, die den Betrieb behindern könnten.
- c. Führen Sie regelmäßig eine Sichtprüfung der Messer, der Messerbolzen und der Schneideinheit auf Verschleiß oder Schäden durch. Ersetzen Sie verschlissene oder be-

- schädigte Messer und Bolzen paarweise, um die Auswuchtung der Maschine zu erhalten.
- d. Um den Betriebsbereich der Maschine müssen Warnschilder angebracht werden, wenn sie in öffentlichen bzw. öffentlich zugänglichen Bereichen eingesetzt wird. Die Schilder müssen den folgenden Text aufweisen: „Achtung! Automatischer Rasenmäher! Halten Sie sich von der Maschine fern! Kinder beaufsichtigen!“.

1.1.1. BETRIEB

Allgemeine Informationen

- a. Betreiben Sie die Maschine nicht mit defekten Schutzvorrichtungen oder fehlenden Sicherheitseinrichtungen, z. B. ohne Schutzvorrichtungen.
- b. Halten Sie Hände oder Füße niemals in die Nähe oder unter rotierende Teile. Halten Sie sich immer von der Auslassöffnung fern.
- c. Berühren Sie bewegliche Maschinenteile erst, wenn sie vollständig zum Stillstand gekommen sind.
- d. Tragen Sie bei der Bedienung der Maschine immer festes Schuhwerk und lange Hosen.
- e. Heben oder tragen Sie die Maschine niemals bei laufendem Motor.
- f. Entfernen Sie die Deaktivierungsvorrichtung vom Gerät:
 - Bevor Sie ein Hindernis beseitigen;
 - Bevor Sie die Maschine überprüfen, reinigen oder an ihr arbeiten;
 - Kontrollieren Sie, ob die Maschine beschädigt ist, falls sie von einem Fremdkörper getroffen werden sollte;
 - Kontrollieren Sie vor einem Wiedereinschalten der Maschine, ob diese beschädigt ist, falls sie vorab begonnen hat, ungewöhnlich zu vibrieren.
- g. Lassen Sie die Maschine nicht unbeaufsichtigt, wenn Haustiere, Kinder oder andere Personen in der Nähe sind.

Wartung und Lagerung

- a. Ziehen Sie alle Muttern, Bolzen und Schrau-

ben für einen sicheren Betrieb der Maschine fest an.

- Prüfen Sie den Mähroboter häufig auf Verschleiß oder Beschädigung.
- Verschlossene oder beschädigte Teile müssen aus Sicherheitsgründen ersetzt werden.
- Stellen Sie sicher, dass die Messer nur durch geeignete Ersatzteile ersetzt werden.
- Stellen Sie sicher, dass die Batterien mit dem richtigen, vom Hersteller empfohlenen Ladegerät aufgeladen werden. Bei unsachgemäßer Verwendung besteht die Gefahr eines Stromschlags, einer Überhitzung oder des Austretens von ätzender Flüssigkeit aus der Batterie.
- Bei Austritt von Elektrolyt mit Wasser/Neutralisierungsmittel spülen und bei Kontakt mit Augen usw. einen Arzt aufsuchen.
- Die Maschine muss gemäß den Anweisungen des Herstellers gewartet werden.

Restrisiken

- Obwohl das Produkt alle Sicherheitsanforderungen erfüllt, können durch eine unsachgemäße Montage und/oder unvorhersehbare Situationen Restrisiken auftreten.

Der Bereich, in dem das Produkt seine Tätigkeiten ausführt, muss daher von Gegenständen, Menschen und Tieren freigehalten werden; weiterhin sind alle Personen über mögliche Gefahren zu informieren, die Zugang zum Arbeitsbereich haben (auch wenn dieser nur gelegentlich betreten wird).

- Bei Gewitter bzw. Blitzschlaggefahr und generell in Erwartung schlechter Wetterbedingungen wird empfohlen, das Produkt nicht zu benutzen und das Begrenzungskabel von der Ladestation sowie alle peripheren Geräte vom Stromnetz zu trennen. Schließen Sie zur erneuten Verwendung des Produkts das Begrenzungskabel und die peripheren Geräte gemäß den Anweisungen in der Bedienungsanleitung wieder an das Stromnetz an.

1.2. PRODUKTBESCHREIBUNG

Der Mähroboter ist für das Mähen von Gras in den durch das Begrenzungskabel begrenzten Gartenbereichen konzipiert. Das Funktionsprinzip basiert auf der Zufallsnavigation. Der Mähroboter ändert seine Fahrtrichtung, wenn er das Begrenzungskabel oder ein Hindernis erkennt.

Jede andere Verwendung kann sich als gefährlich erweisen und Personen- und/oder Sachschäden verursachen. Zur nicht bestimmungsgemäßen Verwendung gehören u. a.: der Transport von Personen, Kindern oder Tieren auf der Maschine; die Verwendung der Maschine zum eigenen Transport; die Verwendung der Maschine zum Ziehen oder Schieben von Lasten; die Verwendung der Maschine zum Schneiden von anderer Vegetation als Gras.

Die Plattform des TYPs: SRBW01 verfügt über ein 3G/4G-Modul mit SIM-Karte und über ein GNSS-Modul, mit dem sich der Mähroboter und die Assistenzfunktionen zum Navigieren aus der Ferne steuern lassen.

1.3. SYMBOLE UND HINWEISSCHILDER



ACHTUNG:

Lesen Sie die Bedienungsanleitung, bevor Sie das Produkt in Betrieb nehmen.



ACHTUNG:

Projektionsgefahr von Gegenständen gegen den Körper.



Halten Sie während des Betriebs einen sicheren Abstand zur Maschine.



ACHTUNG:

Führen Sie Hände oder Füße nicht in das Gehäuse des Mähwerks ein.



Entfernen Sie die Deaktivierungsvorrichtung, bevor Sie an der Maschine arbeiten oder sie anheben.



ACHTUNG:

Führen Sie Hände oder Füße nicht in das Gehäuse des Mähwerks ein.



Steigen Sie nicht auf die Maschine.



VERBOT:

Stellen Sie sicher, dass sich während des Betriebs der Maschine keine Personen (insbesondere Kinder, ältere oder behinderte Menschen) und Haustiere im Betriebsbereich aufhalten.

Halten Sie Kinder, Haustiere und andere Personen in einem sicheren Abstand, wenn die Maschine in Betrieb ist.



VERBOT:

Verwenden Sie keine Hochdruckreiniger, um die Maschine zu reinigen oder zu waschen.



Gerät der Schutzklasse III, deren Stromversorgung mithilfe einer Batterie (Mähroboter) bzw. eines speziellen Netzteils (Ladestation und Referenzstation) erfolgt.



Verwenden Sie das Originalnetzteil, dessen Merkmale auf dem Typenschild wiedergegeben sind.



Symbol für Gleichstromversorgung.

IPXX

Schutzgrad der IP-Schutzart (gegen das Eindringen von Feststoffen und Wasser).



Durch Elektro- und Elektronikgeräte entstehende Abfälle, die zur Wiederverwertung und Entsorgung bei geeigneten Einrichtungen abzugeben sind.



Garantierter Schalleistungspegel

1.4. SICHERES ANHALTEN UND ABSCHALTEN DES MÄHROBOTERS



PFLICHT:

Schalten Sie den Mähroboter vor allen Reinigungs-, Transport- und Wartungsarbeiten immer in einem sicheren Zustand aus.

1. Drücken Sie die „STOP“-Taste (Abb. 1.A), um den Mähroboter sicher anzuhalten, und öffnen Sie die Schutzabdeckung (Abb. 1.B).
2. Drücken Sie für einige Sekunden die Ausschalttaste (Abb. 1.E) und warten Sie, bis die LED der Taste erlischt.
3. Ziehen Sie, um den Mähroboter unter sicheren Bedingungen abzuschalten, den Sicherheitsschlüssel (Abb. 1.D) erst nach dem Erlöschen der LED (Abb. 1.E) ab.
4. Der Mähroboter wurde sicher angehalten oder abgeschaltet.

2. INSTALLATION



ACHTUNG:

Eingebaute Sicherheitseinrichtungen nicht verändern, manipulieren, umgehen oder beseitigen.

HINWEIS: Wenden Sie sich an einen STIGA-Händler für nähere Informationen zur Produktinstallation.

KOMPONENTEN FÜR DIE MONTAGE (Abb. 2)

(A) Ladestation, (B) Netzteil, (C) Begrenzungskabel, (D) Befestigungsstifte für das Begrenzungskabel, (E) Befestigungsschrauben für die Ladestation, (F) Verbindung für das Begrenzungskabel, (G) Verbindungsstücke für die Ladestation.

2.1. PRÜFUNG DER VORAUSSETZUNGEN FÜR DIE MONTAGE

2.1.1. GARTENÜBERPRÜFUNG:

- Überprüfen Sie den Gartenzustand wie in Kap. 1 beschrieben.
- Ebnen Sie den Boden, damit sich keine Pfützen durch Regen bilden.

2.1.2. KONTROLLEN VOR DER INSTALLATION DER LADESTATION UND DES NETZTEILS:



ELEKTRISCHE GEFAHR:

Es muss eine Steckdose bereit stehen, die den einschlägigen Gesetzbestimmungen des Landes entspricht.



ELEKTRISCHE GEFAHR:

Der versorgte Stromkreis muss durch einen Fehlerstromschutzschalter (RCD) mit einem Auslösestrom nicht höher als 30 mA geschützt sein.



ELEKTRISCHE GEFAHR:

Schließen Sie das Netzteil nicht an eine Steckdose an, wenn der Stecker oder das Kabel beschädigt sind.

Schließen Sie ein beschädigtes Kabel nicht an und berühren Sie es nicht, bevor es von der Spannungsversorgung getrennt wurde. Ein beschädigtes Kabel kann zum Kontakt mit unter Spannung stehenden Teilen führen.

1. Bereiten Sie eine ebene Fläche am Rande des Rasens für die Positionierung der Ladestation vor.
2. Stellen Sie sicher, dass der Abstand der Ladestation zu etwaigen Kurven mindestens 200 cm beträgt.



ACHTUNG:

Das Netzkabel, das Netzteil, das Verlängerungskabel und alle anderen elektrischen Kabel, die nicht zum Produkt gehören, müssen außerhalb des Mähbereichs verbleiben, um sie von gefährlichen beweglichen Teilen fernzuhalten und um eine Beschädigung der Kabel zu vermeiden, die zu einem Kontakt mit unter Spannung stehenden Teilen führen könnte.

3. Bereiten Sie den Montagebereich des Netzteils so vor, dass es bei keinem Witterungseinfluss unter Wasser stehen kann. Installieren Sie das Netzteil vorzugsweise in einem geschlossenen, vor Witterungseinflüssen geschützten Raum, an einer Stelle, die für Unbefugte nicht leicht zugänglich ist.

2.1.3. HAUPTKONTROLLEN VOR DER VERLEGUNG DES BEGRENZUNGSKABELS:

1. Vergewissern Sie sich darüber, dass die maximale Steigung des Mähbereichs je nach Modell 45 % oder 50 % beträgt (siehe Abs. 7 TECHNISCHE DATEN) und befolgen Sie die in Abb. 3 dargestellten Regeln.



ACHTUNG:

Der Roboter kann je nach Modell Flächen mit einer maximalen Steigung von 45% oder 50% mähen. Wenn die Anweisungen nicht befolgt werden, kann der Roboter abrutschen und den Mähbereich verlassen.



ACHTUNG:

Flächen, deren Steigung größer ist als die zulässige Steigung, können nicht gemäht werden. Verlegen Sie daher das Begrenzungskabel vor dem Gefälle und schließen Sie diesen Rasenbereich vom Schnitt aus.

2. Prüfen Sie den gesamten Mähbereich: Bewerten Sie die Hindernisse und bestimmen Sie die vom Mähbereich auszuschließenden Bereiche, die mit dem Begrenzungskabel abgegrenzt werden müssen.

2.2. KRITERIEN FÜR DIE VERLEGUNG DES BEGRENZUNGSKABELS

Nachfolgend sind die Kriterien für die Verlegung des Begrenzungskabels aufgeführt. Detaillierte Informationen entnehmen Sie bitte der vollständigen Bedienungsanleitung.

MINDESTABSTÄNDE		
STRUKTURELEMENT	MINIMALER MONTAGEABSTAND DES KABELS IN BEZUG AUF DAS STRUKTURELEMENT	
	TYP	SRSW01
Pflasterung oder Gehweg auf gleicher Höhe wie der Rasen	5 cm	5 cm
Graben, Wand oder Mauer	35 cm	45 cm
Hecke oder Pflanze mit abstehenden Wurzeln	30 cm	40 cm
Schwimmbad, Überlaufteich, ungeschützte öffentliche Straße	90 cm	100 cm
Schwimmbad oder Straße am Ende eines Gefälles	150 cm	150 cm

ARTEN DER HINDERNISBEGRENZUNG		
DURCHGANG X ZWISCHEN ZWEI VERSCHIEDENEN ABSCHNITTEN DES BEGRENZUNGSKABELS		
TYP		
SRSW01	SRBW01	
$X \geq 70$ cm (Abb. 4)	$X \geq 90$ cm (Abb. 4)	Das Hindernis kann durch Überlappung der Hin- und Rückkabelabschnitte begrenzt werden, ohne diese zu kreuzen.
$X < 70$ cm (Abb. 5)	$X < 90$ cm (Abb. 5)	Das Hindernis kann durch Einhaltung eines Abstands von mindestens $Y = 30$ cm zwischen den zwei Abschnitten des Hin- und Rückkabels begrenzt werden. Wenn das Hindernis ausreichend stoßresistent ist, kann es ungeschützt bleiben.

DURCHGANG ZWISCHEN VERSCHIEDENEN GARTENBEREICHEN		
DURCHGANGSBREITE Z		
TYP		
SRSW01	SRBW01	
$Z \geq 70$ cm (Abb. 6)	$Z \geq 90$ cm (Abb. 6)	Der Bereich (Abb. 6.A) kann vom Mähroboter erreicht werden.
$Z < 70$ cm (Abb. 6)	$Z < 90$ cm (Abb. 6)	Der Bereich (Abb. 6.A) kann vom Mähroboter nicht erreicht werden und gilt als „Geschlossener Bereich“.

**WARNUNG:**

Der Mähbereich und generell die Bereiche, in denen der Mähroboter fahren kann, müssen durch einen nicht übersteigbaren Zaun abgegrenzt sein.

Machen Sie den Zaun geeignet oder beaufsichtigen Sie den Mähroboter während des Betriebs.

2.3. INSTALLATION DER KOMPONENTEN**ELEKTRISCHE GEFAHR:**

Verwenden Sie nur das vom Hersteller gelieferte Batterieladegerät und Netzteil. Unsachgemäße Verwendung kann zu einem elektrischen Schlag und/oder Überhitzung führen.

**WARNUNG:**

Gefahr von Schnittwunden an den Händen. Verwenden Sie Schutzhandschuhe, um Schnittverletzungen an den Händen zu vermeiden.

**WARNUNG:**

Gefahr von Augenverletzungen durch Staub. Verwenden Sie eine Schutzbrille, um Augenverletzungen durch Staub zu vermeiden.

**ELEKTRISCHE GEFAHR:**

Schließen Sie die Spannungsversorgung erst an, wenn alle Installationsschritte abgeschlossen sind. Schalten Sie falls erforderlich die allgemeine Stromversorgung während der Installation aus.

2.3.1. VERLEGUNG DES BEGRENZUNGSKABELS**VERLEGUNG MIT STIFTEN**

1. Positionieren Sie das Begrenzungskabel ausgehend vom Installationsbereich der Ladestation.
2. Positionieren Sie das Kabel entlang der gesamten Strecke und sichern Sie es mit den entsprechenden Stiften (Abb. 7.B) in einem Abstand von ca. 100 cm; beachten Sie dabei die angegebenen Verlegungsanforderungen (siehe Abs. 2.2).
3. Lassen Sie 2 m Kabel mehr, damit es später in der endgültigen Anschlussphase zurechtgeschnitten werden kann.
4. Bei Kurven positionieren Sie das Kabel so, dass der Kurvenradius etwa 20 cm beträgt (Abb. 7.A).

GESAMTLÄNGE DES BEGRENZUNGSKABELS	KOMPATIBLE STIGA-KABEL BEI EINER MONTAGE	
	Artikelnr.:	Spule
< 400 m	1127-0000-01	Spule 150 m Ø 2,7 mm
	1127-0001-01	Spule 300 m Ø 2,7 mm
	1127-0002-01	Spule 500 m Ø 3,4 mm
	1127-0003-01	Spule 1000 m Ø 3,4 mm
≥ 400 m bis max. 1000 m	1127-0002-01	Spule 500 m Ø 3,4 mm
	1127-0003-01	Spule 1000 m Ø 3,4 mm

**ACHTUNG:**

Stellen Sie sicher, dass das Kabel auf seiner gesamten Strecke Bodenkontakt hat, damit der Mähroboter es nicht beschädigt.

HINWEIS: Das für die Installation verwendete Begrenzungskabel muss mindestens 40 m lang sein. Wenn das Kabel kürzer ist, ist die Installation des Widerstands mit dem Code 122063053/0 erforderlich. Auf die vollständige Bedienungsanleitung Bezug nehmen.

2.3.2. INSTALLATION DER LADESTATION

Installieren Sie die Ladestation auf einer Achse mit dem Begrenzungskabel so, dass der Roboter darauf einsteigen kann, indem er entlang des Begrenzungskabels im Uhrzeigersinn fährt.

1. Überprüfen Sie die Voraussetzungen für die Installation, die in Abs. 2.2 angegeben sind.
2. Bereiten Sie den Boden falls erforderlich so vor, dass die Ladestation auf gleicher Höhe wie der Rasen liegt. Der Boden muss an allen Stellen eben und kompakt sein, um eine Verformung der Ebene der Ladestation zu vermeiden.
3. Entfernen Sie die Abdeckung (Abb. 8.C).
4. Positionieren Sie die Ladestation auf einer Achse mit dem Begrenzungskabel (Abb. 8.D2) so, dass der Roboter darauf einsteigen kann, indem er entlang des Begrenzungskabels im Uhrzeigersinn fährt.
5. Führen Sie die beiden Kabelenden in die entsprechenden Durchgänge ein (Abb. 8.E2).
6. Schneiden Sie die Kabelenden zurecht.
7. Bringen Sie die selbstbohrenden Verbindungsstücke am Kabel an (Abb. 9.F), (Abb. 9.G), (Abb. 9.H).
8. Schließen Sie die Verbindungsstücke an die Klemmen (Abb. 8.I) an.
9. Befestigen Sie die Ladestation (Abb. 10.L) mit den Befestigungsschrauben (Abb. 10.M) am Boden.
10. Bringen Sie die Abdeckung wieder an (Abb. 10.C).
11. Schließen Sie das Netzteil an die Ladestation an und schrauben Sie den Verbinder an.
12. Schließen Sie den Stecker des Netzteils an die Stromsteckdose an.
13. Stellen Sie sicher, dass die Kontrollleuchte an der Ladestation (Abb. 10.N) kontinuierlich leuchtet, wenn sich der Mähroboter nicht in der Ladestation befindet (siehe Kap. 3.3)

2.4. AUFLADUNG MÄHROBOTER NACH DER INSTALLATION

Die Batterien müssen beim ersten Aufladen mindestens 2 Stunden lang geladen werden.

2.5. PRODUKTEINSTELLUNGEN

Der automatische Betrieb des Mähroboters erfordert einige Einstellungen, die über ein mobiles Gerät (Smartphone) iOS oder Android mit der installierten „STIGA GO“-App vorgenommen werden können.

HINWEIS: Eine genauere Beschreibung der verfügbaren Funktionen entnehmen Sie bitte der vollständigen Bedienungsanleitung.

3. BETRIEB**3.1. MANUELLER BETRIEB DES MÄHROBOTERS**

Der Mähroboter kann verwendet werden, ohne die beschriebene Programmierung durchzuführen (siehe Abs. 2.5). In diesem Modus führt der Mähroboter einen Arbeitszyklus durch, kehrt zur Ladestation zurück und bleibt dort bis zum nächsten manuellen Start.

1. Positionieren Sie den Mähroboter auf der Ladestation bzw. innerhalb des Umkreises der Anlage.
2. Drücken Sie die „STOP“-Taste (Abb. 1.A), um die Abdeckung (Abb. 1.B) zu öffnen und auf die Steuerkonsole (Abb. 1.C) zuzugreifen.
3. Drücken Sie die „ON/OFF“-Taste (Abb. 1.E) 5 Sekunden lang, um den Mähroboter einzuschalten.
4. Drücken Sie die „MODUSAUSWAHL“-Taste (Abb. 1.F), bis nur noch das Symbol (Abb. 1.L) blinkt.
5. Drücken Sie die „BESTÄTIGEN“-Taste (Abb. 1.G). Das Symbol (Abb. 1.L) leuchtet zur Bestätigung des Vorgangs kontinuierlich.
6. Schließen Sie die Abdeckung (Abb. 1.B). Der Mähroboter beginnt seine Arbeit.

HINWEIS: Dieser Modus garantiert möglicherweise keine ausreichende Abdeckung des Gartens, sowohl in Bezug auf die benötigte Zeit als auch in Bezug auf die Gleichmäßigkeit des Schnittergebnisses, insbesondere wenn der Garten unregelmäßiger Form ist. Um die maximale Effizienz des Mähroboters zu erreichen, wird empfohlen, die Programmierung durchzuführen (Siehe Abs. 2.5).

3.2. BESCHREIBUNG DER BEDIENELEMENTE AM MÄHROBOTER

Bedienelemente, Anzeigen und deren Funktion:

- „STOP“-Taste (Abb. 1.A): dient zum Sicherheitsstopp des Mähroboters.
- „SICHERHEITSSCHLÜSSEL“ (Abb. 1.D): dient zum sicheren Abschalten des Mähroboters.
- „ON/OFF“-Taste (Abb. 1.E): dient zum Ein- und Ausschalten des Mähroboters und zum Rücksetzen der Alarme.
- „MODUSAUSWAHL“-Taste (Abb. 1.F): dient zum Auswählen des Betriebsmodus des Mähroboters und zur Rückkehr in die Ladestation.
- „BESTÄTIGEN“-Taste (Abb. 1.G): dient zum Bestätigen des eingestellten Betriebsmodus.
- Leuchtsymbol „GEPLANTES PROGRAMM“ (Abb. 1.I): dient zum Anzeigen der Einstellung des geplanten Programms.
- Leuchtsymbol „EINZELNERARBEITSZYKLUS“ (Abb. 1.L): Zeigt die Einstellung des einzelnen Arbeitszyklus an.
- Leuchtsymbol „ZURÜCK ZUR LADESTATION“ (Abb. 1.H): dient zum Anzeigen der Einstellung der erzwungenen Rückkehr des Mähroboters zur Ladestation.
- Die „BLUETOOTH“-Taste (Abb. 1.M): dient dem Kundendienstzentrum ausschließlich für Diagnosezwecke.
- Leuchtsymbol „ALARM“ (Abb. 1.N): dient zum Anzeigen von Alarmzuständen.
- Leuchtsymbol „BATTERIE“ (Abb. 1.O): dient zum Anzeigen der Batterieladung.

HINWEIS: Eine genauere Beschreibung der oben aufgeführten Bedienelemente entnehmen Sie bitte der vollständigen Bedienungsanleitung.

3.3. FUNKTIONSWEISE DER LADESTATION

Die Ladestation ist mit einer Kontrollleuchte (Abb. 10.N) ausgestattet, die wie nachfolgend dargestellt aufleuchtet:

- Leuchte ist aus: Die Ladestation ist nicht mit Strom versorgt oder der Roboter befindet sich auf der Ladestation.
- Leuchte leuchtet durchgehend: das Begrenzungskabel ist korrekt an die Ladestation angeschlossen und das Begrenzungssignal wird korrekt übertragen.
- Leuchte blinkt langsam: das Begrenzungskabel ist nicht angeschlossen oder unterbrochen.
- Leuchte blinkt schnell: das Begrenzungskabel ist zu kurz oder es liegt ein Fehler in der Ladestation vor.

3.4. BATTERIEAUFLADUNG

Folgen Sie dem Verfahren zur „BATTERIEAUFLADUNG“, um den Mähroboter manuell aufzuladen.

1. Stellen Sie den Mähroboter auf die Ladestation (Abb. 11.R).
2. Schieben Sie den Mähroboter auf die Ladestation, bis der Ladestecker (Abb. 11.S) einrastet.
3. Drücken Sie die „STOP“-Taste (Abb. 11.A), um die Abdeckung (Abb. 11.B) zu öffnen und auf die Steuerkonsole (Abb. 11.C) zuzugreifen.
4. Schalten Sie den Mähroboter mit der „ON/OFF“-Taste (Abb. 11.E) ein.
5. Das „BATTERIE“-Leuchtsymbol (Abb. 11.L) blinkt. Der Mähroboter wird geladen.
6. Schließen Sie die Abdeckung (Abb. 11.B).
7. Lassen Sie den Mähroboter mindestens so lange im Ladezustand, wie im Abs. 2.4 angegeben.

HINWEIS: Das Aufladen der Batterie vor dem Einlagern im Winter muss, wie im Abs. 4.3 angegeben, durchgeführt werden.

3.5. SCHNITTHÖHENEINSTELLUNG

PLATTFORM TYP SRSW01 - MANUELLE EINSTELLUNG

1. Schalten Sie den Mähroboter sicher aus (siehe Abs. 1.4).
2. Drehen Sie den Höhenregler (Abb. 12.P), um die gewünschte Schnitthöhe einzustellen, so dass das geschnittene Gras nicht mehr als 10 mm hoch ist.

HINWEIS: Die Länge des vom Mähroboter geschnittenen Grasses darf 10 mm nicht überschreiten.

PLATTFORM TYP SRBW01 - ELEKTRISCHE EINSTELLUNG

Folgen Sie der Anleitung in der App, um die Schnitthöhe einzustellen. Das System zur Einstellung der Messerhöhe erfordert eine Erstkalibrierung sowie regelmäßige Kalibrierungen, die automatisch durchgeführt werden. Die Kalibrierung kann auch manuell mithilfe des entsprechenden Menüs der App durchgeführt werden.



WARNUNG:
Berühren Sie das Mähwerk während der Einstellung Schnitthöhe nicht.

HINWEIS: Die Länge des vom Mähroboter geschnittenen Grasses darf 10 mm nicht überschreiten.

4. WARTUNG



WARNUNG:
Nur Originalersatzteile verwenden.



WARNUNG:
Eingebaute Sicherheitseinrichtungen nicht verändern, manipulieren, umgehen oder beseitigen.



WARNUNG:
Gefahr von Schnittwunden an den Händen. Verwenden Sie Schutzhandschuhe, um Schnittverletzungen an den Händen zu vermeiden.



WARNUNG:
Gefahr von Augenverletzungen durch Staub. Verwenden Sie eine Schutzbrille, um Augenverletzungen durch Staub zu vermeiden.



ACHTUNG:
Durch Verwendung von zu viel Wasser kann dieses eindringen und Schäden an den elektrischen Komponenten verursachen.



VERBOT:
Keine Hochdruckwasserstrahlen verwenden.



VERBOT:
Den Mähroboter weder ganz noch teilweise in Wasser eintauchen, um irreversible Schäden an elektrischen und elektronischen Bauteilen zu vermeiden.



VERBOT:
Interne Teile des Mähroboters nicht waschen, um die elektrischen und elektronischen Komponenten nicht zu beschädigen.



VERBOT:
Keine Lösungsmittel oder Benzin verwenden, um lackierte Oberflächen und Kunststoffteile nicht zu beschädigen.

4.1. PROGRAMMIERTE WARTUNG

Für einen besseren Betrieb und eine längere Lebensdauer sollten Sie das Produkt regelmäßig reinigen und verschlissene Teile austauschen.

Führen Sie die Eingriffe mit der in der Tabelle angegebenen Häufigkeit durch.

HÄUFIGKEIT	KOMPONENTE	ART DES EINGRIFFS
Wöchentlich	Messer	Messer reinigen und seine Effizienz prüfen. (Siehe Abs. 4.2) Messer austauschen, wenn es durch einen Stoß verbogen oder verschlissen ist. (Siehe Abs. 4.2)
	Ladekontakte	Jegliche Oxidation reinigen und entfernen. (Siehe die vollständige Bedienungsanleitung)
Monatlich	Mähroboter	Reinigung durchführen. (Siehe die vollständige Bedienungsanleitung)
	Ladestation und Stromversorgungskabel	Auf Verschleiß oder Beschädigung prüfen und bei Bedarf austauschen. (Siehe die vollständige Bedienungsanleitung)

Am Ende der Mähseason oder alle sechs Monate, wenn der Mähroboter nicht verwendet wird.	Batterie	Batterie vor der Lagerung aufladen. (Siehe Abs. 4.3)
Jährlich oder am Ende der Mähseason	Mähroboter	Wartung in einer autorisierten Kundendienstzentrum durchführen lassen. (Siehe Abs. 4.1)

Um den Mähroboter in einwandfreiem Zustand zu halten, ist es notwendig, eine jährliche Wartung in einem autorisierten Kundendienstzentrum durchführen zu lassen.

HINWEIS: Störungen, die auf die Nichtdurchführung der jährlichen Wartung zurückzuführen sind, werden nicht im Rahmen der Garantie anerkannt.

4.2. AUSTAUSCH DER MÄHMESSER

1. Schalten Sie den Mähroboter sicher aus (siehe Abs. 1.4).
2. Drehen Sie den Mähroboter um; achten Sie dabei darauf, die Abdeckung nicht zu beschädigen.
3. Schrauben Sie die Befestigungsschrauben (Abb. 14.E) ab.
4. Tauschen Sie die Mähmesser (Abb. 14.D) aus.
5. Schrauben Sie die Befestigungsschrauben (Abb. 14.E) an.

4.3. WARTUNG UND LAGERUNG DER BATTERIE IM WINTER

1. Laden Sie die Batterie gemäß der App-Anleitung, die über die Seite „Einstellungen“ aufrufbar ist.
2. Reinigen Sie den Mähroboter (siehe die vollständige Bedienungsanleitung).
3. Lagern Sie den Mähroboter an einem trockenen und frostfreien Ort und stellen Sie sicher, dass er ausgeschaltet ist.

HINWEIS: Weitere Informationen zum Winterladeverfahren entnehmen Sie bitte der vollständigen Bedienungsanleitung.

HINWEIS: Die Aufzeichnung des Ladevorgangs per App-Verfahren ist Voraussetzung für die Gültigkeit der Batteriegarantie.

4.4. BATTERIEAUSTAUSCH

Der Austausch der Batterie liegt in der ausschließlichen Verantwortung des TECHNISCHEN KUNDENDIENSTPERSONALS von STIGA.

Wenden Sie sich an einen Kundendienstzentrum oder Ihren Händler, wenn die Batterie ausgetauscht werden muss.

5. TRANSPORT, LAGERUNG UND ENTSORGUNG

5.1. TRANSPORT

HINWEIS: Es wird empfohlen, für den Transport über längere Strecken die Originalverpackung zu verwenden.

1. Schalten Sie den Mähroboter sicher aus (siehe Abs. 1.4).
2. Reinigen Sie den Mähroboter (siehe die vollständige Bedienungsanleitung).
3. Heben Sie den Mähroboter am Griff (Abb. 15.D) an und tragen Sie ihn; achten Sie dabei darauf, das Messer fern vom Körper zu halten.

5.2. LAGERUNG

Der Mähroboter muss nach der Reinigung und der winterlichen Batterieaufladung an einem trockenen und frostfreien Ort in horizontaler Position gelagert werden (siehe Kap. 4). Trennen Sie bei längerer Inaktivität die Ladestation vom Stromnetz.

5.3. ENTSORGUNG



WARNUNG:
Wenden Sie sich an ein autorisiertes Kundendienstzentrum, um die Batterie aus dem Mähroboter zu entfernen.

1. Entsorgen Sie die Produktverpackung nachhaltig in den dafür vorgesehenen Sammelbehältern oder bei entsprechenden autorisierten Sammelstellen.
2. Entsorgen Sie den Mähroboter gemäß den Anforderungen der örtlichen Vorschriften.
3. Wenden Sie sich an die entsprechenden Recycling- und Entsorgungseinrichtungen, da der Mähroboter als WEEE (Elektro- und Elektronikgeräte-Abfall) klassifizierter Abfall ist.
4. Entsorgen Sie alte oder verbrauchte Batterien nachhaltig in den dafür vorgesehenen Sammelbehältern oder bei entsprechenden autorisierten Sammelstellen.

6. BEHEBUNG VON STÖRUNGEN



WARNUNG:

Halten Sie den Mähroboter an und bringen Sie ihn in einen sicheren Zustand (siehe Abs. 1.4).

Nachfolgend sind mögliche Anomalien aufgelistet, die während der Arbeit auftreten können.

STÖRUNG	URSACHEN	ABHILFE
Abnormale Vibrationen. Mähroboter ist laut.	Beschädigte Trennscheibe oder Messer	Beschädigte Komponenten austauschen (siehe Abs. 4.2)
	Mähwerk durch Fremdkörper (Streifen, Schnüre, Kunststofffragmente usw.) blockiert.	Schalten Sie den Mähroboter sicher aus (siehe Abs. 1.4). Messer befreien.
	Mähroboter wurde bei unerwarteten Hindernissen (heruntergefallene Äste, vergessene Gegenstände usw.) gestartet.	Schalten Sie den Mähroboter sicher aus (siehe Abs. 1.4). Hindernisse entfernen und Mähroboter neu starten.
	Elektromotor defekt.	Motor austauschen. Wenden Sie sich an das nächste autorisierte Kundendienstzentrum.
	Gras zu hoch.	Schneithöhe höher einstellen (siehe Abs. 3.5). Mähen Sie den Bereich zuerst mit einem normalen Rasenmäher.
Mähroboter stellt sich nicht richtig in die Ladestation.	Begrenzungskabel falsch verlegt.	Anschluss der Ladestation überprüfen (Siehe Abs. 2.3.2).
	Bodensenkung in der Nähe der Ladestation.	Korrekte Positionierung der Ladestation wieder herstellen. (Siehe Abs. 2.3.2).
Mähroboter verhält sich in der Nähe von Hindernissen ungewöhnlich.	Falsch verlegtes Begrenzungskabel.	Begrenzungskabel wieder richtig (im Uhrzeigersinn) positionieren (siehe Abs. 2.3.1).
Ladestation leuchtet nicht, wenn sich der Mähroboter außerhalb der Ladestation befindet.	Keine Spannungsversorgung oder es liegt ein Fehler in der Ladestation vor.	Korrekten Anschluss des Netzgeräts an die Stromsteckdose überprüfen. Anschlusskabel des Netzgeräts auf Integrität prüfen.
Ladestation blinkt langsam	Begrenzungskabel ist nicht angeschlossen oder unterbrochen	Installation überprüfen und Bruchstellen beheben (siehe Abs. 2.3)
Ladestation blinkt schnell	Begrenzungskabel ist zu kurz oder es liegt ein Fehler in der Ladestation vor.	Sicherstellen, dass das Begrenzungskabel länger ist als die in Abs. 2.3.2 angegebene Länge. Wenn das Problem weiterhin besteht, wenden Sie sich an den Kundendienst.
„Warnung“-Symbol leuchtet auf dem Tastenfeld.	Weist auf eine Anomalie/Störung hin.	Sehen Sie die App oder die vollständige Bedienungsanleitung für weitere Informationen.

7. TECHNISCHE DATEN

SPEZIFIKATIONEN	TYP: SRSW01 (siehe Produktetikett)	TYP: SRBW01 (siehe Produktetikett)
Abmessungen (BxHxT)	413 x 252 x 560 [mm]	529 x 299 x 695 [mm]
Gewicht des Mähroboters	Vom jeweiligen Modell abhängig: 7,9 [kg] - 8,2 [kg] (*) (Ungenauigkeit ±0,1 [kg])	Vom jeweiligen Modell abhängig: 12,8 [kg] - 13,5 [kg] (*) (Ungenauigkeit ±0,1 [kg])
Schnitthöhe (Min-Max)	20-60 [mm]	20-65 [mm]
Messerdurchmesser	180 [mm]	260 [mm]
Schnittgeschwindigkeit	2850 ±50 [rpm]	2400 ±50 [rpm]
Fahrgeschwindigkeit	22 [m/min]	Vom jeweiligen Modell abhängig: 24 [m/min]; 28 [m/min] (*)
Maximales Gefälle	45 %	50 %
Maximales Gefälle entlang der Begrenzung		20 %
Typ des Schneidsystems	4 rotierende Mähmesser	6 rotierende Mähmesser
Code des Mähwerks	322104105/0	
Erkannter Schalleistungspegel	57 [dB] (A)	56 [dB] (A)
Geräuschunsicherheit, KWA	1,47 [dB] (A)	0,56 [dB] (A)
Garantierter Schalleistungspegel	59 [dB] (A)	57 [dB] (A)
Schalldruckpegel am Ohr des Bedieners	46,3 [dB] (A)	45,2 [dB] (A)
IP-Schutzklasse Mähroboter	IPX5	
IP-Schutzklasse Ladestation	IPX1	
IP-Schutzklasse Netzteil	IP67	
Umgebungsbetriebstemperatur Mähroboter [°C]	0 - 50	
Umgebungsbetriebstemperatur Ladestation [°C]	-10 - 50	
Umgebungsbetriebstemperatur Netzteil [°C]	-10 - 50	
Arbeitskapazität	Abhängig vom Modell (*)	Abhängig vom Modell (*)
Leistung	Input: 100 - 240 Vac; 1,2 A; Output: 30 Vdc, 2 A Verwenden Sie einen der nachfolgenden Originalcodes oder spätere Aktualisierungen (wenden Sie sich an einen autorisierten STIGA-Händler). 118204158/0 (EU) 118204161/0 (UK) 118204163/0 (CH)	Input: 200 - 240 Vac; 0,8 A; Output: 30 Vdc, 4 A Verwenden Sie einen der nachfolgenden Originalcodes oder spätere Aktualisierungen (wenden Sie sich an einen autorisierten STIGA-Händler). 118204159/0 (EU) 118204162/0 (UK) 118204164/0 (CH)
Verlängerungskabel mit 30 Vdc sind zulässig.	Verwenden Sie einen der nachfolgenden Originalcodes oder spätere Aktualisierungen (wenden Sie sich an einen autorisierten STIGA-Händler). Code: 1127-0010-01, Länge 5 m Code: 1127-0020-01, Länge 15 m	
Batteriemodell	Vom jeweiligen Modell abhängig: 25,2V - 2Ah; 25,2V - 2,5Ah; 25,2V - 5Ah; 25,2V - 6Ah (*)	Vom jeweiligen Modell abhängig: 25,2V - 5Ah; 25,2V - 6Ah; 25,2V - 2x5Ah; 25,2V - 2x6Ah (*)
Aufladezeit	Vom jeweiligen Modell abhängig: 60 [min]; 80 [min]; 150 [min] (*)	Vom jeweiligen Modell abhängig: 150 [min]; 180 [min] (*)
Arbeitsdauer	Vom jeweiligen Modell abhängig: 60 [min]; 90 [min]; 150 [min] (*)	270 [min]
Konnektivität	Bluetooth®	Bluetooth®, 4G, 3G, GSM
Navigationstechnik		GNSS

(*) Weitere Einzelheiten zum jeweiligen Modell finden Sie in der vollständige Bedienungsanleitung; diese ist online verfügbar (siehe QR-Code auf der ersten Seite dieses Handbuchs).

Il Manuale di istruzioni completo è disponibile:

- ▷ sul sito web stiga.com
- ▷ sull'App STIGA GO, disponibile su App Store e Google Play
- ▷ scansionando il QR code



NOTA: le istruzioni riportate nel presente manuale sono valide per tutti i modelli di robot rasaerba cavo-guidati. Le figure, se non specificato, si riferiscono alla piattaforma SRSW01.

NOTA: il presente manuale riporta le istruzioni di base, principalmente correlate alla sicurezza. Per una corretta installazione è necessario leggere e seguire attentamente il manuale di istruzioni completo (vedi sopra).

1. SICUREZZA

OBBLIGO:

Leggere attentamente prima dell'utilizzo e conservare per future consultazioni.

1.1. PRATICHE OPERATIVE SICURE

Formazione

- a. Leggere attentamente le istruzioni, conoscere i comandi e l'uso corretto della macchina.
- b. Non permettere mai a bambini, persone con ridotte capacità fisiche, sensoriali o mentali, o prive di esperienza e conoscenza, o persone che non hanno familiarità con queste istruzioni, di utilizzare la macchina. Le normative locali possono limitare l'età dell'operatore.
- c. L'operatore, o utilizzatore, è da ritenersi responsabile per incidenti o pericoli che coinvolgono terzi o attrezzature di terzi.

Preparazione

- a. Assicurarsi che il sistema automatico di delimitazione perimetrale sia installato correttamente come da indicazioni.
- b. Ispezionare periodicamente l'area in cui la macchina viene utilizzata e rimuovere pietre, bastoni, cavi e qualsiasi altro oggetto estraneo che possa intralciare il

funzionamento.

- c. Effettuare periodicamente un'ispezione visiva delle lame, dei bulloni delle lame e del gruppo di taglio per verificare che non siano usurati o danneggiati. Sostituire le lame e i bulloni usurati o danneggiati in coppia per mantenere l'equilibrio della macchina.
- d. Segnali di avvertimento devono essere collocati attorno all'area di lavoro della macchina, se è utilizzata in aree pubbliche o aperte al pubblico. I segnali devono avere il seguente testo: "Attenzione! Rasaerba automatico! Tenersi a distanza dalla macchina! Sorvegliare i bambini!".

1.1.1. FUNZIONAMENTO

Informazioni generali

- a. Non operare la macchina con ripari difettosi o dispositivi di sicurezza non presenti, ad esempio senza protezioni.
- b. Non mettere mani o piedi vicino o sotto le parti rotanti. Tenersi sempre lontano dall'apertura di scarico.
- c. Non toccare le parti della macchina in movimento prima che si siano arrestate completamente.
- d. Durante il funzionamento della macchina indossare sempre scarpe robuste e pantaloni lunghi.
- e. Non sollevare o trasportare mai la macchina mentre il motore è in funzione.
- f. Rimuovere il dispositivo di disabilitazione dall'unità:
 - Prima di eliminare un'ostruzione;
 - Prima di controllare, pulire o lavorare sulla macchina;
 - Se colpitadaunoggettoestraneo,

- per controllare eventuali danni alla macchina;
- Se la macchina inizia a vibrare in modo anomalo, per controllare eventuali danni prima di riavviarla.
- g. Non lasciare la macchina in funzione incustodita in presenza di animali domestici, bambini o altre persone nelle vicinanze.

Manutenzione e conservazione

- a. Serrare bene tutti i dadi, i bulloni e le viti per un funzionamento sicuro della macchina.
- b. Controllare frequentemente il robot rasaerba per usura o deterioramento.
- c. Per questioni di sicurezza è necessario sostituire le parti usurate o danneggiate.
- d. Assicurarci che le lame vengano sostituite solo con ricambi idonei.
- e. Assicurarci che le batterie siano ricaricate usando il caricabatterie corretto raccomandato dal produttore. Un uso non corretto può provocare scosse elettriche, surriscaldamento o perdita di liquido corrosivo dalla batteria.
- f. In caso di perdite di elettrolita lavare con acqua/agente neutralizzante e rivolgersi a un medico in caso di contatto con gli occhi, etc etc.
- g. La manutenzione della macchina deve essere effettuata in conformità alle istruzioni del produttore.

Rischi Residui

- Nonostante il prodotto rispetti tutte le prescrizioni di sicurezza, possono ancora sussistere ulteriori rischi dovuti ad una installazione impropria e/o situazioni non prevedibili. E perciò necessario che l'area su cui il prodotto opera sia libera da oggetti, persone e animali, informando dei possibili pericoli tutte le persone che possono avere accesso, anche solo occasionalmente, all'area di lavoro.

- In caso di temporali con rischio di fulminazioni e in generale in previsione di cattive condizioni atmosferiche, è consigliato non utilizzare il prodotto e scollegare il cavo perimetrale dalla base di ricarica e tutte le periferiche dalla rete elettrica. Per utilizzare il prodotto, collegare nuovamente il cavo perimetrale e le periferiche alla rete elettrica secondo le istruzioni riportate nel manuale.

1.2. DESCRIZIONE DEL PRODOTTO

Il robot rasaerba è progettato per rasare l'erba nelle zone del giardino delimitate dal cavo perimetrale.

Il principio di funzionamento è basato sulla navigazione random. Il robot rasaerba cambia traiettoria quando rileva il cavo perimetrale o un ostacolo.

Qualsiasi altro impiego può rivelarsi pericoloso e causare danni a persone e/o cose. Rientrano nell'uso improprio (come esempio, ma non solo): trasportare sulla macchina persone, bambini o animali; farsi trasportare dalla macchina; usare la macchina per trainare o spingere carichi; usare la macchina per il taglio di vegetazione di tipo non erboso.

La piattaforma TYPE: SRBW01 è dotata di un modulo 3G/4G con SIM card e di un modulo GNSS, che permettono il controllo remoto del robot rasaerba e funzioni di assistenza alla navigazione.

1.3. SIMBOLI E TARGHETTE



ATTENZIONE:

Leggere le istruzioni per l'utente prima di avviare il funzionamento del prodotto.



ATTENZIONE:

Pericolo di proiezioni di oggetti contro il corpo.



Mantenersi a una distanza di sicurezza dalla macchina durante il funzionamento.



ATTENZIONE:

Non introdurre mani e piedi all'interno dell'alloggiamento del dispositivo di taglio. Rimuovere il dispositivo di disabilitazione prima di intervenire sulla macchina o prima di sollevarla.



ATTENZIONE:

Non introdurre mani e piedi all'interno dell'alloggiamento del dispositivo di taglio. Non salire sulla macchina.



DIVIETO:

Assicurarci che non ci siano persone (soprattutto bambini, anziani o disabili) e animali domestici nell'area di lavoro durante il funzionamento della macchina. Tenere bambini, animali domestici e altre persone a distanza di sicurezza quando la macchina è in funzione.



DIVIETO:
Non utilizzare pulitori ad alta pressione sulla macchina per pulirla o lavarla.



Apparecchio con classe di isolamento III, alimentato da batteria (Robot Rasaerba) o tramite apposito alimentatore (Base di Ricarica e Stazione di riferimento).



Utilizzare l'alimentatore originale con le caratteristiche riportate nella targhetta.



Simbolo di alimentazione in corrente continua.

IPXX

Grado di Protezione contro l'ingresso di corpi solidi e di acqua.



Rifiuto da Apparecchiature Elettriche ed Elettroniche, da conferire ad apposite strutture per il riciclaggio e lo smaltimento.



Livello di potenza sonora garantita

1.4. ARRESTO E SPEGNIMENTO DEL ROBOT RASAERBA IN CONDIZIONI DI SICUREZZA



OBBLIGO:

Spegnere sempre il robot rasaerba in condizioni di sicurezza prima di qualsiasi operazione di pulizia, trasporto, manutenzione.

1. Premere il pulsante "STOP" (Fig. 1.A) per arrestare il robot rasaerba in condizioni di sicurezza e aprire la cover di protezione (Fig. 1.B).
2. Premere il pulsante di spegnimento (Fig. 1.E) per qualche secondo e attendere lo spegnimento del led dello stesso pulsante.
3. Solo dopo lo spegnimento del led (Fig. 1.E), disinserire la chiave di sicurezza (Fig. 1.D) per spegnere il robot rasaerba in condizioni di sicurezza.
4. Il robot rasaerba è arrestato o spento in condizione di sicurezza.

2. INSTALLAZIONE



ATTENZIONE:

Non modificare, non manomettere, non eludere, non eliminare i dispositivi di sicurezza installati.

NOTA: Per ulteriori chiarimenti sull'installazione del prodotto contattare un rivenditore STIGA.

COMPONENTI PER L'INSTALLAZIONE (Fig. 2)

(A) Base di ricarica, (B) Alimentatore, (C) Cavo perimetrale, (D) Chiodi di fissaggio cavo perimetrale, (E) Viti di fissaggio base di ricarica, (F) Giunto per cavo perimetrale, (G) Connettori per la base di ricarica

2.1. VERIFICA DEI REQUISITI PER L'INSTALLAZIONE

2.1.1. VERIFICA DEL GIARDINO:

- Verificare lo stato del giardino secondo quanto riportato nel Cap.1.
- Livellare il terreno in modo che non si formino pozzanghere a seguito di pioggia.

2.1.2. VERIFICHE PER L'INSTALLAZIONE DELLA BASE DI RICARICA E DELL'ALIMENTATORE:



PERICOLO ELETTRICO:

È necessario predisporre una presa di corrente conforme alle leggi vigenti in materia del Paese.



PERICOLO ELETTRICO:

Il circuito fornito deve essere protetto da un interruttore differenziale (RCD) con una corrente di attivazione non superiore a 30 mA.



PERICOLO ELETTRICO:

Non collegare l'alimentatore a una presa di corrente se la spina o il cavo sono danneggiati. Non collegare e non toccare un cavo danneggiato prima che venga scollegato dall'alimentazione.

Un cavo danneggiato può portare a contatto con parti sotto tensione.

1. Predisporre al bordo del prato una zona pianeggiante per il posizionamento della base di ricarica
2. Assicurarsi che la distanza dalla base da eventuali curve sia almeno 200 cm.



ATTENZIONE:

Il cavo di alimentazione, l'alimentatore, la prolunga e ogni altro cavo elettrico non appartenente al prodotto devono rimanere all'esterno dell'area di taglio per tenerli lontani da parti pericolose in movimento ed evitare danni ai cavi che possono portare a contatto con parti sotto tensione.

3. Predisporre la zona di installazione dell'alimentatore in modo che in nessuna condizione atmosferica esso possa ritrovarsi in condizioni di immersione in acqua. Installare preferibilmente in un vano chiuso e protetto da agenti atmosferici, in una posizione non facilmente raggiungibile da persone non autorizzate.

2.1.3. PRINCIPALI VERIFICHE PER L'INSTALLAZIONE DEL CAVO PERIMETRALE:

1. Verificare che la pendenza massima dell'area di lavoro sia inferiore o uguale al 45% o al 50%, in base al modello (vedi par. 7 DATI TECNICI), e rispettare le regole riportate in Fig. 3.



ATTENZIONE:

Il robot può rasare superfici con pendenza massima del 45% o 50% in base al modello. In caso di mancato rispetto delle istruzioni, il robot potrebbe slittare e uscire dall'area di lavoro

**ATTENZIONE:**

Le zone che presentano pendenze superiori a quelle ammissibili non possono essere rasate. Posizionare quindi il cavo perimetrale prima della pendenza escludendo dal taglio quella zona di prato.

- Verificare tutta la superficie di lavoro: valutare gli ostacoli e le zone da escludere dall'area di lavoro, che dovranno essere delimitate con il cavo perimetrale.

2.2. CRITERI PER L'INSTALLAZIONE DEL CAVO PERIMETRALE

Di seguito sono riportati i criteri per l'installazione del cavo perimetrale, per informazioni più dettagliate consultare il Manuale di istruzioni completo.

DISTANZE MINIME		
ELEMENTO STRUTTURALE	DISTANZA MINIMA DI INSTALLAZIONE DEL CAVO RISPETTO ALL'ELEMENTO STRUTTURALE	
TYPE	SRSW01	SRBW01
Pavimentazione o Vialeto allo stesso livello del prato	5 cm	5 cm
Fossato, Parete o Muretto	35 cm	45 cm
Siepe o pianta con radici sporgenti	30 cm	40 cm
Piscina, Laghetto a sfioro, Strada Pubblica non protetta	90 cm	100 cm
Piscina o strada alla fine di una discesa	150 cm	150 cm

TIPOLOGIE DI DELIMITAZIONE OSTACOLI		
PASSAGGIO X TRA DUE DIVERSE SEZIONI DEL CAVO PERIMETRALE		
TYPE		
SRSW01	SRBW01	
X _{>=} 70cm (Fig. 4)	X _{>=} 90cm (Fig. 4)	L'ostacolo può essere delimitato sovrapponendo le sezioni del cavo di andata e ritorno senza incrociarli.
X _{<} 70cm (Fig. 5)	X _{<} 90cm (Fig. 5)	L'ostacolo può essere delimitato distanziando le due sezioni del cavo di andata e ritorno di almeno Y= 30 cm. Se l'ostacolo è sufficientemente robusto può essere lasciato non protetto.

PASSAGGI TRA DIVERSE ZONE DEL GIARDINO		
LARGHEZZA CORRIDOIO Z		
TYPE		
SRSW01	SRBW01	
Z _{>=} 70cm (Fig. 6)	Z _{>=} 90cm (Fig. 6)	La zona (Fig. 6.A) può essere raggiunta dal robot rasaerba.

Z _{<} 70cm (Fig. 6)	Z _{<} 90cm (Fig. 6)	La zona (Fig. 6.A) non può essere raggiunta dal robot rasaerba ed è da considerarsi "Area Chiusa".
---------------------------------	---------------------------------	--

**AVVERTENZA:**

L'area operativa e in generale le zone in cui il robot rasaerba può navigare devono essere delimitate da una recinzione non valicabile. Rendere idonea la recinzione oppure supervisionare il robot rasaerba durante il funzionamento.

2.3. INSTALLAZIONE DEI COMPONENTI

**PERICOLO ELETTRICO:**

Utilizzare solo caricabatteria e alimentatore fornito dal Costruttore. L'uso improprio può causare scosse elettriche e/o surriscaldamento.

**AVVERTENZA:**

Pericolo di taglio mani. Usare guanti di protezione per evitare pericoli di taglio alle mani.

**AVVERTENZA:**

Pericolo di pulviscolo negli occhi. Usare occhiali di protezione per evitare pericoli di pulviscolo negli occhi.

**PERICOLO ELETTRICO:**

Collegare l'alimentazione elettrica solo al termine di tutte le operazioni di installazione. Se necessario durante l'installazione disattivare l'alimentazione elettrica generale.

2.3.1. INSTALLAZIONE DEL CAVO PERIMETRALE

POSIZIONAMENTO CON PICCHETTI

- Posizionare il cavo perimetrale partendo dalla zona di installazione della base di ricarica.
- Posizionare il cavo lungo tutto il percorso fissandolo con gli appositi picchetti (Fig. 7.B) distanziati di circa 100 cm, e rispettando i requisiti di installazione riportati (Vedi Par. 2.2).
- Lasciare 2 m di cavo in abbondanza per tagliarlo successivamente a misura nella fase finale di allacciamento.
- Nelle curve posizionare il cavo in modo tale che il raggio di curvatura sia di circa 20 cm (Fig. 7.A).

LUNGHEZZA TOTALE DEL CAVO PERIMETRALE	CAVI STIGA COMPATIBILI CON L'INSTALLAZIONE	
< 400m	Cod. 1127-0000-01	Bobina 150 m, Ø 2,7 mm
	Cod. 1127-0001-01	Bobina 300 m, Ø 2,7 mm
	Cod. 1127-0002-01	Bobina 500 m, Ø 3,4 mm
	Cod. 1127-0003-01	Bobina 1000 m, Ø 3,4 mm
≥ 400m fino a max 1000m	Cod. 1127-0002-01	Bobina 500 m, Ø 3,4 mm
	Cod. 1127-0003-01	Bobina 1000 m, Ø 3,4 mm

**ATTENZIONE:**

Assicurarsi che il cavo sia a contatto con il terreno lungo tutto il suo percorso per evitare che il robot rasaerba possa danneggiarlo.

NOTA: Il cavo perimetrale utilizzato per l'installazione deve avere una lunghezza di almeno 40 m. Se la lunghezza del cavo è inferiore, è necessario installare il resistore cod. 122063053/0. Riferirsi al Manuale di istruzioni completo.

2.3.2. INSTALLAZIONE BASE DI RICARICA

Installare la base di ricarica in asse al cavo perimetrale in modo che il robot possa accedervi navigando sul cavo perimetrale in senso orario.

1. Verificare i requisiti per l'installazione come indicato nel Par. 2.2.
2. Se necessario preparare il terreno in modo che la superficie della base di ricarica sia allo stesso livello del prato, il terreno deve essere perfettamente pianeggiante e compatto in modo da evitare la deformazione del piano della base di ricarica.
3. Rimuovere il coperchio (Fig. 8.C).
4. Posizionare la base di ricarica in asse al cavo perimetrale (Fig. 8.D2) in modo che il robot possa accedervi navigando sul cavo perimetrale in senso orario.
5. Inserire le due estremità del cavo negli appositi passaggi (Fig. 8.E2).
6. Tagliare a misura esatta le estremità dei cavi.
7. Applicare i connettori autopoteranti sul cavo (Fig. 9.F), (Fig. 9.G), (Fig. 9.H).
8. Connettere i connettori ai morsetti (Fig. 8.I).
9. Fissare la base di ricarica (Fig. 10.L) al terreno con le viti di fissaggio (Fig. 10.M).
10. Riposizionare il coperchio (Fig. 10.C).
11. Collegare l'alimentatore alla base di ricarica e avvitare il connettore.
12. Collegare la spina dell'alimentatore alla presa elettrica.
13. Verificare che quando il robot rasaerba non è in base di ricarica, la spia sulla base di ricarica (Fig. 10.N) sia accesa con luce fissa (si veda Cap. 3.3)

2.4. RICARICA ROBOT RASAERBA DOPO L'INSTALLAZIONE

Le batterie, alla prima ricarica, devono rimanere in carica per almeno 2 ore.

2.5. IMPOSTAZIONI DEL PRODOTTO

Il funzionamento in automatico del robot rasaerba richiede una serie di impostazioni eseguibili tramite dispositivo mobile (smartphone) iOS o Android con l'App "STIGA GO" installata.

NOTA: Per una descrizione più dettagliata delle funzioni disponibili, consultare il Manuale di istruzioni completo.

3. FUNZIONAMENTO

3.1. FUNZIONAMENTO MANUALE DEL ROBOT RASAERBA

Il robot rasaerba può essere utilizzato senza eseguire la programmazione descritta (Vedi Par. 2.5). In questa modalità il robot rasaerba esegue un ciclo di lavoro, ritorna in base di ricarica e vi rimane fino al successivo avvio manuale.

1. Disporre il robot rasaerba sulla base di ricarica o comunque all'interno del perimetro dell'installazione.
2. Premere il pulsante "STOP" (Fig. 1.A) per aprire la cover (Fig. 1.B) ed accedere alla consolle di comando (Fig. 1.C).
3. Premere il pulsante "ON/OFF" (Fig. 1.E) per 5 secondi per accendere il robot rasaerba.
4. Premere il pulsante "SELEZIONE MODALITÀ" (Fig. 1.F), fino al lampeggio della sola icona (Fig. 1.L).
5. Premere il pulsante "CONFERMA" (Fig. 1.G). L'icona (Fig. 1.L) si illumina con luce fissa per confermare l'operazione.
6. Chiudere la cover (Fig. 1.B). Il robot rasaerba si avvierà al lavoro.

NOTA: questa modalità potrebbe non garantire una adeguata copertura del giardino, sia in termini di tempo necessario che in termini di uniformità del risultato di taglio, specialmente se il giardino ha una forma non regolare. Per raggiungere la massima efficienza del robot rasaerba è raccomandato eseguire la programmazione (Vedi Par. 2.5).

3.2. DESCRIZIONE DEI COMANDI PRESENTI SUL ROBOT RASAERBA

Elenco comandi, indicatori e loro funzione:

- Pulsante "STOP" (Fig. 1.A): serve per l'arresto di sicurezza del robot rasaerba.
- "CHIAVE DI SICUREZZA" (Fig. 1.D): serve per lo spegnimento di sicurezza del robot rasaerba.
- Pulsante "ON/OFF" (Fig. 1.E): serve all'accensione e spegnimento del robot rasaerba e al reset degli allarmi.
- Pulsante "SELEZIONE MODALITÀ" (Fig. 1.F): serve per selezionare la modalità operativa del robot rasaerba e per forzare il ritorno alla base di ricarica.
- Pulsante "CONFERMA" (Fig. 1.G): serve a confermare la modalità operativa impostata.
- Icona luminosa "PROGRAMMA SCHEDULATO" (Fig. 1.I): serve alla visualizzazione dell'impostazione del programma schedulato.
- Icona luminosa "SINGOLO CICLO DI LAVORO" (Fig. 1.L): serve alla visualizzazione dell'impostazione del singolo ciclo di lavoro.
- Icona luminosa "RITORNO ALLA BASE" (Fig. 1.H): serve a visualizzare l'impostazione del ritorno forzato in base di ricarica del robot rasaerba.
- Pulsante "BLUETOOTH" (Fig. 1.M): viene utilizzato solamente dal centro assistenza per attività di diagnostica.
- Icona luminosa "ALLARME" (Fig. 1.N): serve alla visualizzazione stati di allarme.
- Icona luminosa "BATTERIA" (Fig. 1.O): serve alla visualizzazione della carica della batteria.

NOTA: Per una descrizione più dettagliata dei comandi sopra elencati, consultare il Manuale di istruzioni completo.

3.3. FUNZIONAMENTO DELLA BASE DI RICARICA

La base di ricarica è provvista di una spia luminosa (Fig. 10.N) che si illumina come riportato di seguito:

- Spia spenta: la base di ricarica è disalimentata o il robot è in base;
- Spia con luce fissa: il cavo perimetrale è correttamente connesso alla base di ricarica e il segnale perimetrale è correttamente trasmesso;
- Spia con lampeggio lento: il cavo perimetrale non è connesso oppure è interrotto;

- Spia con lampeggio veloce: il cavo perimetrale è troppo corto oppure è presente un guasto nella base di ricarica.

3.4. CARICAMENTO BATTERIA

La procedura "CARICAMENTO BATTERIA" permette di ricaricare il robot rasaerba manualmente.

1. Posizionare il robot rasaerba sulla base di ricarica (Fig. 11.R).
2. Far scorrere il robot rasaerba sulla base di ricarica, fino all'innesto del connettore di ricarica (Fig. 11.S).
3. Premere il pulsante "STOP" (Fig. 11.A) per aprire la cover (Fig. 11.B) ed accedere alla consolle di comando (Fig. 11.C).
4. Accendere il robot rasaerba tramite il tasto "ON/OFF" (Fig. 11.E).
5. L'icona luminosa "BATTERIA" (Fig. 11.L) lampeggia, il robot rasaerba è in ricarica.
6. Chiudere la cover (Fig. 11.B).
7. Lasciare il robot rasaerba in carica per un tempo almeno pari a quello riportato nel Par. 2.4.

NOTA: La ricarica della batteria prima dello stoccaggio invernale deve essere eseguita secondo quanto riportato nel Par. 4.3.

3.5. REGOLAZIONE ALTEZZA DI TAGLIO

PIATTAFORMA TYPE SRSW01 - REGOLAZIONE MANUALE

1. Spegner il robot rasaerba in condizioni di sicurezza (vedi par. 1.4).
2. Agire sul regolatore di altezza (Fig. 12.P) per selezionare l'altezza di taglio desiderata in modo che la parte di erba tagliata non sia superiore a 10 mm.

NOTA: La lunghezza della parte di erba tagliata dal robot rasaerba non deve superare 10 mm.

PIATTAFORMA TYPE SRBW01 - REGOLAZIONE ELETTRICA

Per regolare l'altezza di taglio seguire la procedura guidata in APP.

Il sistema di regolazione altezza lama richiede una calibrazione iniziale e delle calibrazioni periodiche che vengono eseguite automaticamente. La calibrazione può essere eseguita anche manualmente dal menu dedicato in App.



AVVERTENZA:
Non toccare il dispositivo di taglio durante la regolazione dell'altezza di taglio.

NOTA: La lunghezza della parte di erba tagliata dal robot rasaerba non deve superare 10 mm.

4. MANUTENZIONE



AVVERTENZA:
Utilizzare solo ricambi originali.



AVVERTENZA:
Non modificare, non manomettere, non eludere, non eliminare i dispositivi di sicurezza installati.



AVVERTENZA:
Pericolo di taglio mani.
Usare guanti di protezione per evitare pericoli di taglio alle mani.



AVVERTENZA:
Pericolo di pulviscolo negli occhi.
Usare occhiali di protezione per evitare pericoli di pulviscolo negli occhi.



ATTENZIONE:
L'uso eccessivo di acqua può causare infiltrazioni danneggiando i componenti elettrici.



DIVIETO:
Non utilizzare getti d'acqua in pressione.



DIVIETO:
Per non danneggiare i componenti elettrici ed elettronici in modo irreversibile, non immergere il robot rasaerba, parzialmente o completamente, in acqua.



DIVIETO:
Non lavare le parti interne del robot rasaerba per non danneggiare i componenti elettrici ed elettronici.



DIVIETO:
Non utilizzare solventi o benzina per non danneggiare le superfici verniciate e i componenti in plastica.

4.1. MANUTENZIONE PROGRAMMATA

Per un migliore funzionamento e una maggiore durata, assicurarsi di pulire regolarmente il prodotto e sostituire le parti usurate.

Eseguire gli interventi alla frequenza indicata in tabella.

FREQUENZA	COMPONENTE	TIPO DI INTERVENTO
Settimanale	Lama	Pulire e controllare l'efficienza della lama. (Vedi Par. 4.2) Se la lama è piegata a causa di un urto o se usurata, sostituirla. (Vedi Par. 4.2)
	Contatti di ricarica	Pulire ed eliminare le eventuali ossidazioni. (Vedi Manuale di istruzioni completo)
Mensile	Robot rasaerba	Effettuare la pulizia. (Vedi Manuale di istruzioni completo)
	Base di ricarica e cavi di alimentazione	Controllare usura o deterioramento e se necessario sostituirli. (Vedi Manuale di istruzioni completo)
Al termine della stagione di taglio o semestrale se il robot rasaerba non è utilizzato	Batteria	Eseguire la ricarica pre-stoccaggio della batteria. (Vedi Par. 4.3)
Annuale o al termine della stagione di Taglio	Robot rasaerba	Eseguire il tagliando presso un centro di assistenza autorizzato. (Vedi Par. 4.1)

È necessario effettuare annualmente un tagliando di manutenzione presso un centro assistenza autorizzato

per mantenere il robot rasaerba in buone condizioni di funzionamento.

NOTA: eventuali guasti dovuti alla mancata esecuzione del tagliando annuale non verranno riconosciuti in garanzia.

4.2. SOSTITUZIONE LAME DI TAGLIO

1. Spegner il robot rasaerba in condizioni di sicurezza (vedi par. 1.4).
2. Capovolgere il robot rasaerba facendo attenzione a non danneggiare la cover flottante di copertura.
3. Svitare le viti di fissaggio (Fig. 14.E).
4. Sostituire le lame di taglio (Fig. 14.D).
5. Serrare le viti di fissaggio (Fig. 14.E).

4.3. MANUTENZIONE INVERNALE DELLA BATTERIA E STOCCAGGIO

1. Caricare la batteria secondo la procedura guidata in App, accessibile dalla pagina "Impostazioni".
2. Pulire il robot rasaerba (Vedi Manuale di istruzioni completo).
3. Conservare il robot rasaerba in un luogo asciutto e al riparo dal gelo, assicurandosi che sia spento.

NOTA: Per informazioni più dettagliate sulla procedura di ricarica invernale, consultare il Manuale di istruzioni completo.

NOTA: La registrazione della ricarica tramite procedura in app è necessaria ai fini della validità della garanzia della batteria.

4.4. SOSTITUZIONE BATTERIA

La sostituzione della batteria è di esclusiva competenza del PERSONALE DI ASSISTENZA TECNICA DI STIGA.

Qualora fosse necessaria la sostituzione della batteria contattare un centro assistenza o il proprio rivenditore.

6. RISOLUZIONE DEI PROBLEMI



AVVERTENZA:

Arrestare il robot rasaerba e riportarlo in condizioni di sicurezza (Vedi Par. 1.4).

Di seguito è riportato l'elenco di eventuali anomalie che potrebbero presentarsi in fase di lavoro.

INCONVENIENTE	CAUSE	RIMEDI
Vibrazioni anomale. Il robot rasaerba è rumoroso.	Disco o lame di taglio danneggiate	Sostituire i componenti danneggiati (Vedi Par. 4.2).
	Dispositivo di taglio bloccato da residui (nastri, corde, frammenti di plastica, ecc.)	Spegner il robot rasaerba in condizioni di sicurezza (Vedi Par. 1.4). Sbloccare la lama di taglio.
	L'avvio del robot rasaerba è avvenuto in presenza di ostacoli non previsti (rami caduti, oggetti dimenticati, ecc.)	Spegner il robot rasaerba in condizioni di sicurezza (Vedi Par. 1.4). Rimuovere gli ostacoli e riavviare il robot rasaerba.
Il robot rasaerba non si posiziona correttamente all'interno della stazione di ricarica.	Motore elettrico in avaria.	Sostituire il motore, rivolgersi al centro assistenza autorizzato più vicino.
	Erba troppo alta.	Aumentare l'altezza di taglio (Vedi Par. 3.5). Effettuare un taglio preliminare dell'area con un normale rasaerba.
Il robot rasaerba non si posiziona correttamente all'interno della stazione di ricarica.	Posizione errata del cavo perimetrale.	Verificare il collegamento della stazione di ricarica (Vedi Par. 2.3.2).
	Cedimento del terreno in prossimità della base di ricarica.	Ripristinare il corretto posizionamento della base di ricarica. (Vedi Par. 2.3.2).

5. TRASPORTO, IMMAGAZZINAMENTO E SMALTIMENTO

5.1. TRASPORTO

NOTA: Si suggerisce l'utilizzo dell'imballo originale per il trasporto su lunghe distanze.

1. Spegner il robot rasaerba in condizioni di sicurezza (vedi par. 1.4).
2. Pulire il robot rasaerba (Vedi Manuale di istruzioni completo).
3. Sollevare il robot rasaerba dall'apposita maniglia (Fig. 15D) e trasportarlo facendo attenzione a mantenere la lama di taglio lontano dal corpo.

5.2. STOCCAGGIO

Il robot rasaerba deve essere stoccato in posizione orizzontale, in un luogo asciutto e al riparo dal gelo dopo avere eseguito la pulizia e la ricarica invernale della batteria (si veda Cap. 4). Durante lunghi periodi di inattività disconnettere la base di ricarica dalla rete elettrica.

5.3. SMALTIMENTO



AVVERTENZA:

Per la rimozione della batteria dal robot rasaerba rivolgersi ad un centro assistenza autorizzato.

1. Smaltire l'imballo del prodotto in modo sostenibile nei contenitori di raccolta preposti o presso appositi centri autorizzati alla raccolta.
2. Smaltire il robot rasaerba nel rispetto dei requisiti delle norme di legge locali.
3. Rivolgersi ad apposite strutture per il riciclaggio e lo smaltimento essendo il robot rasaerba rifiuto classificato RAEE (Rifiuto di Apparecchiature Elettriche ed Elettroniche).
4. Smaltire le batterie vecchie o esauste in modo sostenibile nei contenitori di raccolta o presso appositi centri autorizzati alla raccolta.

INCONVENIENTE	CAUSE	RIMEDI
Il robot rasaerba si comporta in modo anomalo attorno a ostacoli perimetrati.	Cavo perimetrale posato erroneamente.	Riposizionare il cavo perimetrale correttamente (senso orario) (Vedi Par. 2.3.1).
La spia della base di ricarica non si accende quando il robot è fuori dalla base di ricarica.	Manca la tensione di alimentazione oppure è presente un guasto nella base di ricarica.	Verificare il corretto allacciamento alla presa di corrente dell'alimentatore. Verificare l'integrità del cavo di collegamento dell'alimentatore.
La spia della base di ricarica si accende con lampeggio lento	Il cavo perimetrale non è connesso oppure è interrotto	Verificare l'installazione e riparare la rottura (Vedi Par. 2.3)
La spia della base di ricarica si accende con lampeggio veloce	Il cavo perimetrale è troppo corto oppure è presente un guasto nella base di ricarica.	Verificare che la lunghezza del cavo perimetrale sia maggiore di quanto indicato nel Par. 2.3.2. Se il problema persiste contattare un centro assistenza.
Sulla tastiera è accesa l'icona di Warning	Segnala condizioni di Anomalia/Guasto.	Consultare l'app per maggiori info o riferirsi al Manuale di istruzioni completo.

7. DATI TECNICI

SPECIFICHE	TYPE: SRSW01 (vedere l'etichetta prodotto)	TYPE: SRBW01 (vedere l'etichetta prodotto)
Dimensioni (BxAxP)	413 x 252 x 560 [mm]	529 x 299 x 695 [mm]
Peso del robot rasaerba	Dipende dal modello: 7,9 [kg] - 8,2 [kg] (*) (Incertezza +/-0,1 [kg])	Dipende dal modello: 12,8 [kg] - 13,5 [kg] (*) (Incertezza +/-0,1 [kg])
Altezza di taglio (Min-Max)	20-60 [mm]	20-65 [mm]
Diametro lama	180 [mm]	260 [mm]
Velocità di taglio	2850+/-50 [rpm]	2400+/-50 [rpm]
Velocità di movimento	22 [m/min]	Dipende dal modello: 24 [m/min]; 28 [m/min] (*)
Pendenza massima	45 %	50 %
Pendenza massima lungo il perimetro		20 %
Tipologia del sistema di taglio	4 lame di taglio pivotanti	6 lame di taglio pivotanti
Codice del dispositivo di taglio	322104105/0	
Livello potenza acustica rilevata	57 [dB] (A)	56 [dB] (A)
Incertezza delle emissioni di rumore, KWA	1.47 [dB] (A)	0.56 [dB] (A)
Livello potenza sonora garantita	59 [dB] (A)	57 [dB] (A)
Livello di pressione acustica all'orecchio dell'operatore	46.3 [dB] (A)	45.2 [dB] (A)
Classificazione IP robot rasaerba		IPX5
Classificazione IP stazione di ricarica		IPX1
Classificazione IP alimentatore		IP67
Temperatura ambiente di esercizio robot rasaerba [°C]		0 ÷ 50
Temperatura ambiente di esercizio stazione di ricarica [°C]		-10 ÷ 50
Temperatura ambiente di esercizio alimentatore [°C]		-10 ÷ 50
Capacità di lavoro	Dipende dal modello (*)	Dipende dal modello (*)
Alimentazione	Input: 100-240 Vac, 1,2 A; Output: 30 Vcc, 2 A Utilizzare uno dei codici originali sotto o successivi aggiornamenti (consultare un rivenditore autorizzato STIGA) 118204158/0 (UE) 118204161/0 (UK) 118204163/0 (CH)	Input: 200-240 Vac, 0,8 A; Output: 30 Vcc, 4A Utilizzare uno dei codici originali sotto o successivi aggiornamenti (consultare un rivenditore autorizzato STIGA) 118204159/0 (UE) 118204162/0 (UK) 118204164/0 (CH)
Cavi di estensione 30 Vcc ammessi	Utilizzare uno dei codici originali sotto o successivi aggiornamenti (consultare un rivenditore autorizzato STIGA) Codice: 1127-0010-01, Lunghezza 5 m Codice: 1127-0020-01, Lunghezza 15 m	
Modello batteria	Dipende dal modello: 25,2V - 2Ah; 25,2V - 2,5Ah; 25,2V - 5Ah; 25,2V - 6Ah (*)	Dipende dal modello: 25,2V - 5Ah; 25,2V - 6Ah; 25,2V - 2x5Ah; 25,2V - 2x6Ah (*)
Tempo di ricarica	Dipende dal modello: 60 [min]; 80 [min]; 150 [min] (*)	Dipende dal modello: 150 [min]; 180 [min] (*)
Tempo di lavoro	Dipende dal modello: 60 [min]; 90 [min]; 150 [min] (*)	270 [min]
Connettività	Bluetooth®	Bluetooth®, 4G, 3G, GSM
Tecnologia di navigazione		GNSS

(*) Per ulteriori dettagli sul modello specifico, consultare il Manuale completo disponibile on line (vedi QR code riportato nella prima pagina del presente libretto).

De Uitgebreide Handleiding is beschikbaar:

▷ op de website stiga.com

▷ op de App **STIGA GO**, verkrijgbaar op App Store en Google Play

▷ door de QR code te scannen



OPMERKING: De instructies in deze handleiding zijn van toepassing op alle modellen kabelgeleide robotmaaiers. De afbeeldingen, indien niet gespecificeerd, verwijzen naar het SRSW01 platform.

OPMERKING: Deze handleiding bevat basisinstructies, voornamelijk met betrekking tot veiligheid. Voor een correcte installatie moet de Uitgebreide Handleiding (zie hierboven) zorgvuldig worden gelezen en opgevolgd.

- d. Waarschuwingsborden moeten rond het werkgebied van de machine worden geplaatst als deze in openbare ruimtes wordt gebruikt of open is voor het publiek. De borden moeten de volgende tekst hebben: "Let op! Automatische grasmaaier! Houd u op afstand van de machine! Houd toezicht op de kinderen!"

1.1.1.WERKING

Algemene informatie

- Gebruik de machine niet met defecte afschermingen of veiligheidsvoorzieningen die niet aanwezig zijn, bijvoorbeeld zonder beveiligingen.
- Steek uw handen of voeten nooit nabij of onder de draaiende delen. Blijf steeds op afstand van de aflaatoening.
- Raak de bewegende delen van de machine niet aan voordat ze volledig tot stilstand gekomen zijn.
- Draag altijd stevige schoenen en een lange broek wanneer u de machine bedient.
- Hef de robotmaaier niet op en vervoer hem niet terwijl de motor in werking is.
- Verwijder het uitschakelapparaat van het apparaat:
 - Voordat u een obstructie verwijdert;
 - Vóórdat u de machine controleert, schoonmaakt of eraan werkt;
 - Als de machine wordt geraakt door een vreemd voorwerp, controleer dan of de machine beschadigd is;
 - Als de machine abnormaal begint te trillen, controleer dan op schade voordat u de machine opnieuw opstart.
- Laat de machine niet onbeheerd achter in de buurt van huisdieren, kinderen of andere mensen.

Onderhoud en opslag

- Draai alle moeren, bouten en schroeven stevig vast om de machine veilig te bedienen.
- Controleer de robotmaaier regelmatig op slijtage of beschadiging.

1. VEILIGHEID

VERPLICHTING:

Voor gebruik zorgvuldig lezen en bewaren voor toekomstig gebruik.

1.1. VEILIGE WERKWIJZEN

Opleiding

- Lees de instructies aandachtig, ken de commando's en gebruik de machine correct.
- Sta nooit toe dat kinderen, mensen met verminderde fysieke, sensorische of mentale vermogens, of zonder ervaring en kennis, of mensen die niet bekend zijn met deze instructies, de machine gebruiken. Lokale voorschriften kunnen de leeftijd van de bediener beperken.
- De bediener of gebruiker moet verantwoordelijk worden gehouden voor ongevallen of gevaren waarbij apparatuur van derden of apparatuur van derden is betrokken.

Vorbereiding

- Zorg ervoor dat de automatische afrastering correct is geïnstalleerd zoals aangegeven.
- Inspecteer regelmatig het gebied waar de machine wordt gebruikt en verwijder stenen, stokken, kabels en andere vreemde voorwerpen die de werking ervan kunnen belemmeren.
- Voer regelmatig een visuele inspectie uit van de messen, van de bouten van de messen en van het maaiement om te controleren of ze niet versleten of beschadigd zijn. Vervang versleten of beschadigde messen en bouten per paar om de balans van de machine te behouden.

- c. Om veiligheidsredenen is het noodzakelijk om versleten of beschadigde onderdelen te vervangen.
- d. Zorg ervoor dat de messen alleen worden vervangen door geschikte reserveonderdelen.
- e. Zorg ervoor dat de accu's opgeladen worden met de juiste oplader die door de fabrikant aanbevolen wordt. Onjuist gebruik kan elektrische schokken, oververhitting of lekkage van bijtende vloeistof uit de accu veroorzaken.
- f. In geval van elektrolytlekkage, wassen met water/neutralisatiemiddel en medische hulp inroepen in geval van contact met ogen, enz.
- g. Onderhoud van de machine moet worden uitgevoerd in overeenstemming met de instructies van de fabrikant.

Extra risico's

- Hoewel het product voldoet aan alle veiligheidseisen, kunnen er toch extra risico's ontstaan door onjuiste installatie en/of onvoorziene situaties.

Het is daarom noodzakelijk om het gebied waar het product werkt vrij te houden van voorwerpen, mensen en dieren en om alle personen die toegang kunnen hebben, zelfs af en toe, tot het werkgebied te informeren over de mogelijke gevaren.

- In geval van onweer met kans op blikseminslag en in het algemeen in afwachting van slechte weersomstandigheden, wordt aanbevolen het product niet te gebruiken en de perimeterdraad los te koppelen van het laadstation en alle randapparatuur los te koppelen van de voeding. Om het product te gebruiken, sluit u de perimeterdraad en de randapparatuur opnieuw aan op de voeding volgens de instructies in de handleiding.

1.2. BESCHRIJVING VAN HET PRODUCT

De robotmaaier is ontworpen om het gras te maaien in de delen van de tuin die door de perimeterdraad afgebakend zijn.

Het werkingsprincipe is gebaseerd op willekeurige navigatie. De robotmaaier verandert van pad wanneer hij de perimeterdraad of een obstakel detecteert.

Eender welk ander gebruik kan gevaarlijk zijn en schade berokkenen aan personen en/of zaken. Onder oneigenlijk gebruik vallen (als voorbeeld, maar niet uitsluitend): het vervoeren van mensen, kinderen of dieren op de machine; zich door de machine laten

trekken; de machine gebruiken om lasten te trekken of te duwen; de machine gebruiken voor het maaien van niet-grasaardige vegetatie. Het TYPE-platform: De SRBW01 is uitgerust met een 3G/4G-module met SIM-kaart en een GNSS-module, die bediening op afstand van de robotmaaier en navigatiehulpfuncties mogelijk maken.

1.3. SYMBOLEN EN PLAATJES



LET OP:

Lees de gebruiksaanwijzingen voordat u met de bediening van het product begint.



LET OP:

Gevaar voor projecties van voorwerpen tegen het lichaam.

Houd tijdens het gebruik een veilige afstand tot de machine.



LET OP:

Steek uw handen en voeten niet in de holte van de snij-inrichting.

Verwijder het uitschakelmechanisme voordat u aan de machine gaat werken of deze optilt.



LET OP:

Steek uw handen en voeten niet in de holte van de snij-inrichting.

Klim niet op de machine.



VERBOD:

Zorg ervoor dat er geen mensen (vooral kinderen, ouderen of gehandicapten) en huisdieren in het werkgebied zijn als de machine in werking is.

Houd kinderen, huisdieren en andere personen op veilige afstand wanneer de robotmaaier in werking is.



VERBOD:

Gebruik geen hogedrukreinigers op de machine om deze schoon te maken of te wassen.



Apparaat met isolatieklasse III, gevoed door batterij (grasmaaierrobot) of via speciale voedingseenheid (laadbasis en referentiestation).



Gebruik de originele voeding met de specificaties op het typeplaatje.



Symbol voor gelijkstroomvoeding.

IPXX

Beschermingsgraad tegen het binnendringen van vaste stoffen en water.



Afval van elektrische en elektronische apparatuur dat moet worden afgeleverd bij geschikte faciliteiten voor recycling en verwijdering.



Gegarandeerd geluidsvermogensniveau

1.4. DE ROBOTMAAIER VEILIG STOPPEN EN UITSCHAKELEN



VERPLICHTING:

Schakel de robotmaaier altijd in veilige omstandigheden uit voordat u reinigings-, transport- of onderhoudswerkzaamheden uitvoert.

1. Druk op de "STOP" -knop (Afb. 1.A) om de robotmaaier veilig te stoppen en open de beschermkap (Afb. 1.B).
2. Druk enkele seconden op de uitschakelknop (Afb. 1.E) en wacht tot de LED op dezelfde knop uitgaat.
3. Pas nadat de LED is uitgegaan (Afb. 1.E), schakelt u de veiligheidsleutel uit (Afb. 1.D) om de robotmaaier in veilige omstandigheden uit te schakelen.
4. De robotmaaier is veilig gestopt of uitgeschakeld.

2. INSTALLATIE



LET OP:

Breng geen wijzigingen aan, knoei niet, omzeil de geïnstalleerde veiligheidsvoorzieningen niet en verwijder ze niet.

OPMERKING: Neem voor meer informatie over de installatie van het product contact op met een STIGA wederverkoper.

ONDERDELEN VOOR DE INSTALLATIE (Afb. 2)

(A) Laadstation, (B) Stroomvoorziening, (C) Perimeterdraad, (D) Bevestigingsspijker perimeterdraad, (E) Bevestigingsschroeven laadbasis, (F) Koppeling voor perimeterdraad, (G) Connectoren voor de laadbasis.

2.1. CONTROLE VAN DE VEREISTEN VOOR DE INSTALLATIE

2.1.1. CONTROLE VAN DE TUIN:

- Controleer de toestand van de tuin zoals vermeld in hoofdstuk 1.
- Egaliseer de grond zodat er geen plassen ontstaan als gevolg van regen.

2.1.2. CONTROLES VOOR DE INSTALLATIE VAN HET LAADSTATION EN DE VOEDING:



ELEKTRISCH GEVAAR:

Er moet een stopcontact voorzien worden in overeenstemming met de wetten die in het land van kracht zijn.



ELEKTRISCH GEVAAR:

Het geleverde circuit moet worden beschermd door een differentiaalschakelaar (RCD) met een activeringsstroom van maximaal 30 mA.



ELEKTRISCH GEVAAR:

Sluit de voeding niet aan op een stopcontact als de stekker of de kabel beschadigd zijn. Sluit een beschadigde kabel niet aan en raak deze niet aan voordat deze is losgekoppeld van de voeding.

Een beschadigde kabel kan contact met de delen onder spanning veroorzaken.

1. Voorzie een vlak gebied aan de rand van het gazon om het laadstation te plaatsen

2. Zorg ervoor dat de afstand van de basis tot eventuele bochten minimaal 200 cm is.



LET OP:

De voedingskabel, de voedingseenheid, de verlengkabel en alle andere elektrische kabels die niet bij het product horen, moeten buiten het maaigebied blijven om ze uit de buurt van gevaarlijke bewegende delen te houden en om schade aan de kabels te voorkomen waardoor ze in contact kunnen komen met onder spanning staande onderdelen.

3. Bereid het installatiegebied van de stroomvoorziening voor, zodat het onder geen enkele weersomstandigheden in water kan worden ondergedompeld. Bij voorkeur installeren in een afgesloten compartiment te installeren, beschermd tegen weersinvloeden, op een plaats die niet gemakkelijk toegankelijk is voor onbevoegde personen.

2.1.3. BELANGRIJKSTE CONTROLES VOOR DE INSTALLATIE VAN DE PERIMETERDRAAD:

1. Controleer of de maximale helling van het werkgebied kleiner dan of gelijk is aan 45% of aan 50%, in functie van het model (zie Par. 7 TECHNISCHE GEGEVENS) en voldoet aan de regels in Afb. 3.



LET OP:

De robot kan oppervlakken maaien met een maximale helling van 45% of 50%, afhankelijk van het model. Als de instructies niet worden opgevolgd, kan de robot uitglijden en de werkzone verlaten



LET OP:

De zones met niet toegestane hellingen kunnen niet gemaaid worden. Plaats daarom de perimeterdraad vóór de helling, en sluit dat deel van de gazon uit.

2. Controleer het volledige werkoppervlak: evalueer de obstakels en gebieden die moeten worden uitgesloten van het werkgebied, die afgebakend moeten worden met de perimeterdraad.

2.2. CRITERIA VOOR DE INSTALLATIE VAN DE PERIMETERDRAAD

Hieronder volgen de criteria voor het installeren van de perimeterdraad. Voor meer gedetailleerde informatie verwijzen we naar de Uitgebreide Handleiding.

MINIMALE AFSTANDEN		
STRUCTUREEL ELEMENT	MINIMALE AFSTAND VOOR INSTALLATIE VAN DE DRAAD TEN OPZICHTE VAN HET STRUCTUREEL ELEMENT	
TYPE:	SRSW01	SRBW01
Bestrating of Oprit op hetzelfde niveau als het gazon	5 cm	5 cm

Gracht, Wand of Muurtje	35 cm	45 cm
Haag of plant met uitstekende wortels	30 cm	40 cm
Zwembad, Overloopvijver, Onbeschermde openbare weg	90 cm	100 cm
Zwembad of weg aan het einde van een helling	150 cm	150 cm

SOORTEN AFBAKENING VAN OBSTAKELS		
PASSAGE X TUSSEN VERSCHILLENDE SECTIES VAN DE PERIMETERDRAAD		
TYPE:		
SRSW01	SRBW01	
X _≥ 70 cm (Afb. 4)	X _≥ 90 cm (Afb. 4)	Het obstakel kan worden afgebakend door de secties van de heen- en terugloopkabel te overlappen zonder ze te kruisen.
X < 70 cm (Afb. 5)	X < 90 cm (Afb. 5)	Het obstakel kan worden afgebakend door de twee secties van de heen- en terugloopkabel op een afstand van minimaal Y= 30 cm te plaatsen. Als het obstakel sterk genoeg is, kan het onbeschermd blijven.

PASSAGES TUSSEN VERSCHILLENDE DELEN VAN DE TUIN		
BREEDTE GANG Z		
TYPE:		
SRSW01	SRBW01	
Z _≥ 70 cm (Afb. 6)	Z _≥ 90 cm (Afb. 6)	De zone (Afb. 6.A) kan bereikt worden door de robotmaaier.
Z < 70 cm (Afb. 6)	Z < 90 cm (Afb. 6)	De zone (Afb. 6.A) kan niet bereikt worden door de robotmaaier en moet beschouwd worden als "Gesloten Zone".



WAARSCHUWING:

Het operationele gebied en in het algemeen de gebieden waarin de robotmaaier kan navigeren, moeten afgebakend door een ondoordringbaar hek. Maak het hek geschikt of houd toezicht op de robotmaaier tijdens de werking.

2.3. IDENTIFICATIE VAN DE ONDERDELEN



ELEKTRISCH GEVAAR:

Gebruik alleen de acculader en voeding die door de fabrikant zijn geleverd. Oneigen gebruik kan elektrische schokken en of oververhitting veroorzaken.



WAARSCHUWING:

Gevaar voor snijwonden aan de handen. Gebruik beschermende handschoenen om snijgevaar aan de handen te voorkomen.



WAARSCHUWING:

Gevaar voor stof in de ogen. Gebruik een beschermende bril om het gevaar voor stof in de ogen te voorkomen.



ELEKTRISCH GEVAAR:

Sluit de voeding pas aan aan het einde van alle installatiewerkzaamheden. Schakel indien nodig tijdens de installatie de algemene stroomtoevoer uit.

2.3.1. PLAATSING VAN DE PERIMETERDRAAD

PLAATSING MET HARINGEN

1. Plaats de perimeterdraad vanaf het installatiegebied van het laadstation.
2. Plaats de kabel langs het hele pad en zet hem vast met de daarvoor bestemde haringen (Afb. 7.B) met een tussenruimte van ongeveer 100 cm en met inachtneming van de aangegeven installatievereisten (zie. Par. 2.2).
3. Laat 2 m kabel over om deze in de laatste fase van de aansluiting op maat te knippen.
4. Plaats de kabel in bochten zo dat de buigradius ongeveer 20 cm is (Afb. 7.A).

TOTALE LENGTE VAN DE PERIMETERDRAAD	STIGA DRADEN COMPATIBEL MET INSTALLATIE	
< 400m	Code 1127-0000-01	150 m haspel, Ø 2,7 mm
	Code 1127-0001-01	300 m haspel, Ø 2,7 mm
	Code 1127-0002-01	500 m haspel, Ø 3,4 mm
	Code 1127-0003-01	1000 m haspel, Ø 3,4 mm
≥ 400m tot max. 1000m	Code 1127-0002-01	500 m haspel, Ø 3,4 mm
	Code 1127-0003-01	1000 m haspel, Ø 3,4 mm



LET OP:

Zorg ervoor dat de draad langs het hele pad contact maakt met de grond om te voorkomen dat de robotmaaier deze beschadigt.

OPMERKING: De perimeterdraad die voor de installatie wordt gebruikt, moet een lengte hebben van minstens 40 m. Als de kabellengte minder is, is het noodzakelijk om de weerstand te installeren (code 122063053/0. Raadpleeg de Uitgebreide Handleiding.

2.3.2. INSTALLATIE LAADSTATION

Installeer het laadstation in lijn met de perimeterdraad zodat de robot er toegang toe heeft door met de klok mee langs de perimeterdraad te rijden.

1. Controleer de installatievereisten zoals aangegeven in Par.2.2.
2. Bereid indien nodig de grond voor zodat het oppervlak van het laadstation gelijk is met het gazon, de grond moet perfect vlak en compact zijn om vervorming van het oppervlak van het laadstation te voorkomen.
3. Verwijder het deksel (Afb. 8.C).
4. Plaats het laadstation in lijn met de perimeterdraad (Afb. 8.D2) zodat de robot er toegang toe heeft door met de klok mee langs de perimeterdraad te rijden.
5. Steek de twee uiteinden van de kabel in de daarvoor bestemde doorgangen (Afb. 8.E2).
6. Snijd de uiteinden van de kabels op maat.
7. Breng de zelfborende connectoren aan op de kabel (Afb. 9.F), (Afb. 9.G), (Afb. 9.H).
8. Verbind de connectoren met de klemmen (Afb. 8.I).
9. Bevestig het laadstation (Afb. 10.L) op de grond met de borgschroeven (Afb. 10.M).
10. Herplaats het deksel (Afb. 10.C).
11. Sluit de voeding aan op het laadstation en schroef de connector vast.
12. Verbind de stekker van de voedingseenheid aan het stopcontact.
13. Controleer of wanneer de robotmaaier niet in het laadstation staat, het indicatielampje op het laadstation (Afb. 10.N) met vast licht brandt (zie Hfst. 3.3).

2.4. ROBOTMAAIER OPLADEN NA DE INSTALLATIE

De accu's moeten bij de eerste keer opladen minimaal 2 uur opgeladen blijven.

2.5. INSTELLINGEN VAN HET PRODUCT

De automatische werking van de robotmaaier vereist een reeks instellingen die kunnen worden gemaakt via een mobiel apparaat (smartphone), iOS of Android met de geïnstalleerde "STIGA GO" -app.

OPMERKING: Raadpleeg de Uitgebreide Handleiding voor een meer gedetailleerde beschrijving van de beschikbare functies.

3. WERKING

3.1. HANDMATIGEWERKING VAN DE ROBOTMAAIER

De robotmaaier kan worden gebruikt zonder de beschreven programmering uit te voeren (Zie Par. 2.5). In deze modus voert de robotmaaier een werkcyclus uit, keert terug naar het laadstation en blijft daar tot de volgende handmatige start.

1. Plaats de robotmaaier op het laadstation of in ieder geval binnen de perimeter van de installatie.
2. Druk op de "STOP" -knop (Afb. 1.A) om het deksel te openen (Afb. 1.B) en toegang te verkrijgen tot het bedieningspaneel (Afb. 1.C).
3. Druk op de "ON/OFF" -knop (Afb. 1.E) gedurende 5 seconden om de robotmaaier in te schakelen.
4. Druk op de knop "SELECTIE MODUS" (Afb. 1.F), tot enkel het pictogram knippert (Afb. 1.L).
5. Druk op de knop "BEVESTIGEN" (Afb. 1.G). Het icoon (Afb. 1.L) gaat vast branden om de actie te bevestigen.
6. Sluit de kap (Afb. 1.B). De robotmaaier begint te werken.

OPMERKING: deze modus garandeert mogelijk geen voldoende dekking van de tuin, zowel in termen van benodigde tijd als in termen van gelijkmatigheid van het maairesultaat, vooral als de tuin een onregelmatige vorm heeft. Om een maximale efficiëntie van de robotmaaier te bereiken, wordt aanbevolen de programmering uit te voeren (zie Par. 2.5).

3.2. BESCHRIJVING VAN DE COMMANDO'S OP DE ROBOTMAAIER

Lijst met commando's, indicatoren en hun functie:

- "STOP" -knop (Afb. 1.A): wordt gebruikt voor de veiligheidsstop van de robotmaaier.
- "CONTACTSLEUTEL" (Afb. 1.D): wordt gebruikt voor de veiligheidsstop van de robotmaaier.
- Knop "ON/OFF" (Afb. 1.E): dient om de robotmaaier in- en uit te schakelen.
- Knop "SELECTIE MODUS" (Afb. 1.F): het wordt gebruikt om de bedrijfsmodus van de robotmaaier te selecteren en om de terugkeer naar het oplaadstation te forceren.
- Knop "BEVESTIGEN" (Afb. 1.G): wordt gebruikt om de ingestelde bedrijfsmodus te bevestigen.
- Verlicht icoon "GEPLAND PROGRAMMA" (Afb. 1.I): het wordt gebruikt om de instelling van het geplande programma te bekijken.
- Het verlicht pictogram "ENKELE WERKCYCLUS" (Afb. 1.L): wordt gebruikt om de instelling van de enkele werkcyclus weer te geven.
- Verlicht icoon "TERUGKEER NAAR BASIS" (Afb. 1.H): wordt gebruikt om de instelling van de geforceerde terugkeer van de robotmaaier naar het laadstation weer te geven.
- "BLUETOOTH" -knop (Afb. 1.M): wordt alleen gebruikt door het servicecentrum voor diagnostische activiteiten.
- Verlicht icoon "ALARM" (Afb. 1.N): dient voor d weergave van de alarmstatussen.
- Verlicht icoon "ACCU" (Afb. 1.O): dient voor de weergave van de lading van de accu.

OPMERKING: Raadpleeg de Uitgebreide Handleiding voor een meer gedetailleerde beschrijving van de bovenstaande commando's.

3.3. WERKING VAN HET LAADSTATION

Het laadstation is voorzien van een indicatielampje (Afb. 10.N) dat gaat branden in functie van de volgende situaties:

- Licht uit: het laadstation krijgt geen stroom of de robot bevindt zich in het laadstation.
- Indicator met vast licht: de perimeterdraad is correct aangesloten op het laadstation en het perimetersignaal wordt correct verzonden.
- Langzaam knipperend licht: de perimeterdraad is niet aangesloten of is onderbroken.
- Snel knipperend licht: de perimeterdraad is te kort of er is een storing in het laadstation.

3.4. ACCU OPLADEN

Met de procedure "ACCU OPLADEN" kunt u de robotmaaier handmatig opladen.

1. Plaats de maairobot op het laadstation (Afb. 11.R).
2. Laat de robotmaaier op het laadstation lopen tot de oplaadconnector vastzit (Afb. 11.S).
3. Druk op de "STOP" -knop (Afb. 11.A) om het deksel te openen (Afb. 11.B) en toegang te verkrijgen tot het bedieningspaneel (Afb. 11.C).

- Schakel de robotmaaier in met de "ON/OFF"-knop (Afb. 11.E).
- Het verlicht pictogram "ACCU" (Afb. 11.L) knippert, de robotmaaier wordt opgeladen.
- Sluit de kap (Afb. 11.B).
- Laat de robotmaaier minstens de tijd opladen die wordt weergegeven in Par. 2.4.

OPMERKING: Het opladen van de batterij vóór de winterstalling moet worden uitgevoerd zoals aangegeven in Par. 4.3.

3.5. AFSTELLING MAAIHOOGTE

PLATFORM TYPE SRSW01 - HANDMATIGE VERSTELLING

- Schakel de robotmaaier uit in een veilige toestand (zie Par. 1.4).
- Gebruik de hoogteverstelling (Afb. 12.P) om de gewenste maaihogte te selecteren, zodat het gemaaid grasdeel niet meer dan 10 mm is.

OPMERKING: De lengte van het deel van het gras dat door de robotmaaier gemaaid wordt, mag niet langer zijn dan 10 mm.

PLATFORM TYPE SRBW01 - ELEKTRISCHE VERSTELLING

Volg de begeleide procedure in de APP om de maaihogte aan te passen.

Het instelsysteem voor de bladhoogte vereist een eerste kalibratie en periodieke kalibraties die automatisch worden uitgevoerd. Kalibratie kan ook handmatig worden uitgevoerd via het speciale menu in de App.



WAARSCHUWING:
Raak het maaimechanisme niet aan tijdens het afstellen van de maaihogte.

OPMERKING: De lengte van het deel van het gras dat door de robotmaaier gemaaid wordt, mag niet langer zijn dan 10 mm.

4. ONDERHOUD



WAARSCHUWING:
Gebruik uitsluitend originele reserveonderdelen.



WAARSCHUWING:
Breng geen wijzigingen aan, knoei niet, omzeil de geïnstalleerde veiligheidsvoorzieningen en verwijder ze niet.



WAARSCHUWING:
Gevaar voor snijwonden aan de handen.
Gebruik beschermende handschoenen om snijgevaar aan de handen te voorkomen.



WAARSCHUWING:
Gevaar voor stof in de ogen.
Gebruik een beschermende bril om het gevaar voor stof in de ogen te voorkomen.



LET OP:
Teveel water kan infiltraties veroorzaken die de elektrische onderdelen kunnen beschadigen.



VERBOD:
Gebruik geen waterstralen onder druk.



VERBOD:
Om onherstelbare schade aan de elektrische en elektronische componenten te voorkomen, mag u de robotmaaier niet geheel of gedeeltelijk in water onderdompelen.



VERBOD:
Was de interne delen van de robotmaaier niet om de elektrische en elektronische onderdelen niet te beschadigen.



VERBOD:
Gebruik geen oplosmiddelen of benzine om de geleverde oppervlaktes en de plasticen onderdelen niet te beschadigen.

4.1. GEPROGRAMMEERD ONDERHOUD

Voor een betere werking en een langere levensduur, moet u het product regelmatig schoonmaken en versleten onderdelen vervangen.

Voer de interventies uit met de frequentie aangegeven in de tabel.

FREQUENTIE	ONDERDEEL	TYPE INGREEP
Wekelijks	Mes	Reinig en controleer de werkzaamheid van het mes. (Zie Par. 4.2) Als het mes geplooid is omwille van een stoot of indien het versleten is, dient men dit te vervangen. (Zie Par. 4.2)
	Oplaadcontacten	Reinig en verwijder eventuele oxidatie. (Zie Uitgebreide Handleiding)
Maandelijks	Robotmaaier	Voer de reiniging uit. (Zie Uitgebreide Handleiding)
	Laadstation en voedingskabels	Controleer op slijtage of veroudering en vervang ze indien nodig. (Zie Uitgebreide Handleiding)
Aan het einde van het maaiseizoen of om de zes maanden als de robotmaaier niet wordt gebruikt	Accu	Laad de accu op alvorens het op te bergen. (Zie Par. 4.3)
Jaarlijks of aan het einde van het maaiseizoen	Robotmaaier	Voer de controle uit bij een erkend servicecentrum. (Zie Par. 4.1)

Er moet jaarlijks een onderhoudsbeurt worden uitgevoerd bij een erkend servicecentrum om de robotmaaier in goede staat te houden.

LET OP: defecten als gevolg van het niet uitvoeren van de jaarlijkse controle worden niet onder de garantie erkend.

4.2. VERVANGING SNIJMESSEN

- Schakel de robotmaaier uit in een veilige toestand (zie Par. 1.4).
- Draai de robotmaaier ondersteboven en zorg ervoor dat u de zwevende kap niet beschadigt.
- Draai de borgschroeven los (Afb. 14.E).
- Vervang de snijmessen (Afb. 14.D).
- Draai de borgschroeven aan (Afb. 14.E).

4.3. ONDERHOUD EN OPSLAG VAN DE ACCU IN DE WINTER

1. Laad de accu op volgens de wizard in de app, toegankelijk via de pagina "Instellingen".
2. Reinig de robotmaaier (zie Uitgebreide Handleiding).
3. Bewaar de robotmaaier op een droge en vorstvrije plaats en zorg ervoor dat deze is uitgeschakeld.

OPMERKING: Raadpleeg de Uitgebreide Handleiding voor meer gedetailleerde informatie over de procedure voor het opladen in de winter.

OPMERKING: De registratie van het opladen via de in-app-procedure is vereist om de accugarantie te laten gelden.

4.4. VERVANGING ACCU

De vervanging van de accu is de exclusieve verantwoordelijkheid van het STIGA TECHNISCH SERVICEPERSONEEL.

Neem contact op met een servicecentrum of uw dealer als de accu vervangen moet worden.

5. TRANSPORT, OPSLAG EN VERWIJDERING

5.1. TRANSPORT

OPMERKING: Voor transport over lange afstanden raden we aan de originele verpakking te gebruiken.

1. Schakel de robotmaaier uit in een veilige toestand (zie Par. 1.4).
2. Reinig de robotmaaier (zie Uitgebreide Handleiding).
3. Til de robotmaaier op aan de daarvoor bestemde handgreep (Afb. 15D) en verplaats hem terwijl u ervoor zorgt dat het snijmes uit de buurt van het lichaam blijft.

6. PROBLEEMOPLOSSEN



WAARSCHUWING:
Stop de robotmaaier en berg hem veilig op (Zie Par. 1.4).

Hieronder vindt u een lijst met eventuele afwijkingen die tijdens de werkfase kunnen optreden.

PROBLEEM	OORZAKEN	OPLOSSINGEN
Abnormale trillingen. De robotmaaier maakt veel lawaai.	Beschadigde schijf of maaimessen	Vervang beschadigde componenten (Zie Par. 4.2).
	Snij-inrichting geblokkeerd door resten (banden, koorden, stukken plastic, enz.).	Schakel de robotmaaier veilig uit (Zie Par. 1.4). Zet het snijmes vrij.
	De robotmaaier werd opgestart met onvoorziene hindernissen (gevallen takken, vergeten voorwerpen, enz.).	Schakel de robotmaaier veilig uit (Zie Par. 1.4). Verwijder de hindernissen en start de robotmaaier opnieuw.
De robotmaaier plaatst zich niet correct in het laadstation.	Elektrische motor defect	Vervang de motor, neem contact op met het dichtstbijzijnde erkende servicecentrum.
	Te hoog gras.	Verhoog de maaihoogte (Zie Par. 3.5). Maai de zone vooraf met een normale grasmaaier.
De robotmaaier gedraagt zich abnormaal rond hindernissen rond de perimeteer.	Onjuiste positie van de perimeterdraad.	Controleer de verbinding van het laadstation (Zie Par. 2.3.2).
	Bodem ingezakt nabij het laadstation.	Herstel de correcte positie van het laadstation. (Zie Par. 2.3.2).
Het lampje van het laadstation gaat niet branden als de robotmaaier zich buiten het laadstation bevindt.	Perimeterdraad verkeerd gelegd.	Verplaats de perimeterdraad correct (met de klok mee) (Zie Par. 2.3.1).
	Er is geen stroomvoorziening of er is een storing in het laadstation.	Controleer de correcte verbinding aan het stopcontact van de voedingseenheid. Controleer de integriteit van de voedingskabel.

5.2. OPSLAG

De robotmaaier moet na het reinigen en opladen van de accu voor de winter, op een droge en vorstvrije plaats horizontaal worden opgeslagen (zie hfdst. 4). Koppel het laadstation los van het elektriciteitsnet tijdens lange periodes van inactiviteit.

5.3. LOZING



WAARSCHUWING:
Neem contact op met een erkend servicecentrum om de accu uit de robotmaaier te verwijderen.

1. Verwijder de verpakking van het product op milieubewuste wijze in de daarvoor bestemde verzamelhouders of bij de daarvoor bestemde geautoriseerde opvangcentra.
2. Voer de robotmaaier af in overeenstemming met de lokale wettelijke vereisten.
3. Richt u tot de erkende faciliteiten voor recycling en verwijdering, aangezien de robotmaaier is geclassificeerd als AEEA (afgedankte elektrische en elektronische apparatuur).
4. Verwijder de oude of uitgeputte accu's op milieubewuste wijze in de verzamelhouders of bij de daarvoor bestemde geautoriseerde opvangcentra.

PROBLEEM	OORZAKEN	OPLOSSINGEN
Het lampje van het laadstation gaat aan en knippert langzaam	De perimetretraad is niet aangesloten of onderbroken	Controleer de installatie en herstel de breuk (Zie Par. 2.3)
Het lampje van het laadstation gaat aan en knippert snel	De perimetretraad is te kort of er is een storing in het laadstation.	Controleer of de lengte van de perimetretraad groter is dan aangegeven in Par.2.3.2.Raadpleeg het Servicecentrum indien het probleem aanhoudt.
Het waarschuwingss pictogram is aan op het toetsenbord	Dit wijst op afwijkingen/storingen.	Bekijk de app voor meer informatie of raadpleeg de Uitgebreide Handleiding.

7. TECHNISCHE GEGEVENS

KENMERKEN	TYPE: SRSW01 (zie productlabel)	TYPE: SRBW01 (zie productlabel)
Afmetingen (BxHxD)	413 x 252 x 560 [mm]	529 x 299 x 695 [mm]
Gewicht van de robotmaaier	Dat hangt af van het model: 7,9 [kg] - 8,2 [kg] (*) (Onzekerheid +/-0,1 [kg])	Dat hangt af van het model: 12,8 [kg] - 13,5 [kg] (*) (Onzekerheid +/-0,1 [kg])
Maaihoogte (Min-Max)	20-60 [mm]	20-65 [mm]
Diameter mes	180 [mm]	260 [mm]
Maaisnelheid	2850 +/-50 [rpm]	2400 +/-50 [rpm]
Bewegingssnelheid	22 [m/min]	Dat hangt af van het model: 24 [m/min]; 28 [m/min] (*)
Maximale helling	45%	50%
Maximale helling langs de perimeter		20%
Type maaisysteem	4 draaibare snijmesses	6 draaibare snijmesses
Code snij-inrichting	322104105/0	
Gedetecteerd geluidsvermogensniveau	57 [dB] (A)	56 [dB] (A)
Onzekerheid van geluidsemisies, KWA	1.47 [dB] (A)	0.56 [dB] (A)
Gegarandeerd geluidsniveau	59 [dB] (A)	57 [dB] (A)
Geluidsdruk niveau bij het oor van de operator	46.3 [dB] (A)	45.2 [dB] (A)
IP-classificatie van de robotmaaier		IPX5
IP-classificatie van het laadstation		IPX1
IP-classificatie van de voeding		IP67
Omgevingstemperatuur bedrijf robotmaaier [°C]		0 ÷ 50
Omgevingstemperatuur bedrijf laadstation [°C]		-10 ÷ 50
Omgevingstemperatuur bedrijf voeding [°C]		-10 ÷ 50
Werkcapaciteit	Dat hangt af van het model (*)	Dat hangt af van het model (*)
Voeding	Input: 100-240 Vac, 1,2 A; Output: 30 Vcc, 2 A Gebruik een van de onderstaande originele codes of latere updates (raadpleeg een erkende STIGA-dealer) 118204158/0 (UE) 118204161/0 (UK) 118204163/0 (CH)	Input: 200-240 Vac, 0,8 A; Output: 30 Vcc, 4 A Gebruik een van de onderstaande originele codes of latere updates (raadpleeg een erkende STIGA-dealer) 118204159/0 (UE) 118204162/0 (UK) 118204164/0 (CH)
30 Vcc verlengkabels toegestaan	Gebruik een van de onderstaande originele codes of latere updates (raadpleeg een erkende STIGA-dealer) Code: 1127-0010-01, Lengte 5 m Code: 1127-0020-01, Lengte 15 m	
Model accu	Dat hangt af van het model: 25,2V - 2Ah; 25,2V - 2,5Ah; 25,2V - 5Ah; 25,2V - 6Ah (*)	Dat hangt af van het model: 25,2V – 5Ah; 25,2V – 6Ah; 25,2V – 2x5Ah; 25,2V – 2x6Ah (*)
Laadtijd	Dat hangt af van het model: 60 [min]; 80 [min]; 150 [min] (*)	Dat hangt af van het model: 150 [min]; 180 [min] (*)
Werktijd	Dat hangt af van het model: 60 [min]; 90 [min]; 150 [min] (*)	270 [min]
Connectiviteit	Bluetooth®	Bluetooth®, 4G, 3G, GSM
Navigatietechnologie		GNSS

(*) Raadpleeg voor meer informatie over het specifieke model de Uitgebreide Handleiding die online beschikbaar is (zie QR-code op de eerste pagina van dit boekje).

El manual de instrucciones completo está disponible:

- ▷ en la página web stiga.com
- ▷ en la App STIGA GO, disponible en App Store y Google Play
- ▷ escaneando el código QR



NOTA: las instrucciones de este manual son válidas para todos los modelos de robot-cortacésped guiado por cable. Las figuras, si no se especifica lo contrario, se refieren a la plataforma SRSW01.

NOTA: Este manual contiene instrucciones básicas, principalmente relacionadas con la seguridad. Para una correcta instalación, debe leerse y seguirse atentamente el manual de instrucciones completo (véase más arriba).

1. SEGURIDAD

OBLIGACIÓN:

Leer atentamente antes del uso y conservar para futuras consultas.

1.1. PRÁCTICAS DE TRABAJO SEGURAS

Formación

- a. Leer atentamente las instrucciones y familiarizarse con los controles y el uso correcto de la máquina.
- b. No permitir nunca que niños, personas con capacidades físicas, sensoriales o mentales reducidas, o con falta de experiencia y conocimientos, o personas que no estén familiarizadas con estas instrucciones, manejen la máquina. Las normativas locales pueden limitar la edad del operador.
- c. El operador, o el usuario, es responsable de los accidentes o peligros que involucren a terceros o a equipos de terceros.

Preparación

- a. Asegurarse de que el sistema automático de delimitación perimetral esté correctamente instalado de acuerdo con las especificaciones.
- b. Inspeccionar periódicamente la zona donde se utilice la máquina y retirar piedras, palos, cables y cualquier otro objeto extraño que pueda dificultar el funcionamiento.
- c. Realizar periódicamente inspecciones visuales de las cuchillas, los pernos de las cuchillas y el grupo de corte para comprobar si están desgastados o dañados. Sustituir las cuchillas y los pernos desgastados

o dañados por parejas para mantener el equilibrio de la máquina.

- d. Deben colocarse carteles de advertencia alrededor de la zona de trabajo de la máquina, si ésta se utiliza en zonas públicas o abiertas al público. Los carteles deberán tener el siguiente texto: ¡Atención! ¡Cortacésped automático! ¡Mantenerse alejado de la máquina! ¡Vigilar a los niños".

1.1.1.FUNCIONAMIENTO

Información general

- a. No utilizar la máquina con protecciones defectuosas ni sin dispositivos de seguridad.
- b. No colocar las manos ni los pies cerca o debajo de las piezas giratorias. Mantenerse siempre lejos de la abertura de descarga.
- c. No tocar las partes móviles de la máquina hasta que se hayan detenido por completo.
- d. Llevar siempre zapatos resistentes y pantalones largos durante el funcionamiento de la máquina.
- e. No levantar ni transportar la máquina con el motor en funcionamiento.
- f. Retirar el dispositivo de desactivación de la unidad:
 - Antes de eliminar una obstrucción;
 - Antes de inspeccionar, limpiar o intervenir en la máquina;
 - Si es golpeado por un objeto extraño, para comprobar si hay daños en la máquina;
 - Si la máquina empieza a vibrar de forma anormal para comprobar posibles daños antes de ponerla en marcha.
- g. No dejar la máquina en funcionamiento sin vigilancia cuando haya animales domésticos, niños u otras personas cerca.

Mantenimiento y conservación

- a. Apretar bien todas las tuercas, pernos y tornillos para garantizar un funcionamiento seguro de la máquina.
- b. Comprobar con frecuencia si el robot cortacésped está desgastado o deteriorado.
- c. Por razones de seguridad, las piezas

- d. Asegurarse de que las cuchillas se sustituyan únicamente por piezas de recambio adecuadas.
- e. Asegurarse de que las baterías se carguen utilizando el cargador correcto recomendado por el fabricante. Un uso inadecuado puede provocar descargas eléctricas, sobrecalentamientos o pérdidas de líquido corrosivo de la batería.
- f. En caso de fuga de electrolitos, lavar con agua/agente neutralizador y contactar con un médico en caso de contacto con los ojos, etc.
- g. El mantenimiento de la máquina debe realizarse de acuerdo con las instrucciones del fabricante.

Riesgos residuales

- Aunque el producto cumple todos los requisitos de seguridad, pueden existir riesgos adicionales debidos a una instalación incorrecta y/o a situaciones imprevisibles. Por lo tanto, es necesario mantener libre de objetos, personas y animales la zona sobre la que opera el producto, e informar de los posibles peligros a todas las personas que puedan tener acceso, aunque sea ocasionalmente, a la zona de trabajo.

- En caso de tormentas eléctricas con riesgo de rayos y, en general, en previsión de malas condiciones meteorológicas, se recomienda no utilizar el producto y desconectar el cable perimetral de la base de carga y todos los dispositivos periféricos de la red eléctrica. Para utilizar el producto, vuelva a conectar el cable perimetral y los periféricos a la red eléctrica siguiendo las instrucciones del manual.

1.2. DESCRIPCIÓN DEL PRODUCTO

El robot cortacésped está diseñado para cortar el césped en las zonas del jardín delimitadas por el cable perimetral. El principio de funcionamiento se basa en la navegación aleatoria. El robot cortacésped cambia su trayectoria cuando detecta el cable perimetral o un obstáculo. Cualquier otro tipo de uso puede ser peligroso y causar daños a personas y/o cosas. El uso inadecuado incluye (pero no se limita a): transportar personas, niños o animales en la máquina; ser transportado por la máquina; utilizar la máquina para tirar o empujar cargas; utilizar la máquina para cortar vegetación no herbácea. La plataforma TYPE: El SRBW01 está equipado con un módulo 3G/4G con tarjeta SIM y un módulo GNSS, que permiten el

control remoto del robot cortacésped y funciones de asistencia a la navegación.

1.3. SÍMBOLOS Y PLACAS



ATENCIÓN:
Leer las instrucciones de uso antes de poner en marcha el producto.



ATENCIÓN:
Peligro de proyección de objetos contra el cuerpo.
Mantenerse a una distancia de seguridad en relación a la máquina durante su funcionamiento.



ATENCIÓN:
No introducir las manos ni los pies en el alojamiento del dispositivo de corte.
Retirar el dispositivo de desactivación antes de realizar cualquier intervención en la máquina o antes de levantarla.



ATENCIÓN:
No introducir las manos ni los pies en el alojamiento del dispositivo de corte.
No subirse a la máquina.



PROHIBICIÓN:
Asegurarse de que no haya personas (especialmente niños, ancianos o personas discapacitadas) ni animales domésticos en la zona de trabajo cuando la máquina esté en funcionamiento.

Mantener a los niños, animales domésticos y otras personas a una distancia de seguridad suficiente cuando el robot esté funcionando.



PROHIBICIÓN:
No utilizar limpiadores de alta presión en la máquina para limpiarla o lavarla.



Aparato con aislamiento de clase III, alimentado por batería (Robot cortacésped) o mediante fuente de alimentación especial (Base de carga y Estación de referencia).



Utilice la fuente de alimentación original con las características indicadas en la placa.



Símbolo de fuente de alimentación de CC.

IPXX

Grado de protección contra la entrada de sólidos y agua.



Residuos de aparatos eléctricos y electrónicos, que deben entregarse a las instalaciones adecuadas para su reciclado y eliminación.



Nivel de potencia sonora garantizada

1.4. PARADA Y APAGADO DEL ROBOT CORTACÉSPED DE FORMA SEGURA



OBLIGACIÓN:

Apagar siempre el robot cortacésped de forma segura antes de cualquier operación de limpieza, transporte o mantenimiento.

1. Pulsar el botón "STOP" (Fig. 1.A) para detener el robot cortacésped de forma segura y abrir la tapa de protección (Fig. 1.B).
2. Pulsar el botón de apagado (Fig. 1.E) durante unos segundos y espere a que se apague el LED del mismo botón.
3. Sólo después de que el LED se haya apagado (Fig. 1.E), desactivar la llave de seguridad (Fig. 1.D) para apagar el robot cortacésped de forma segura.
4. El robot cortacésped se detiene o se apaga de forma segura.

2. INSTALACIÓN



ATENCIÓN:

No modificar, manipular, eludir ni eliminar los dispositivos de seguridad instalados.

NOTA: Para más aclaraciones sobre la instalación del producto, contactar con un distribuidor STIGA.

COMPONENTES PARA LA INSTALACIÓN (Fig. 2)

(A) Base de carga, (B) Fuente de alimentación, (C) Cable perimetral, (D) Clavos de fijación del cable perimetral, (E) Tornillos de fijación de la base de carga, (F) Junta del cable perimetral, (G) Conectores de la base de carga.

2.1. COMPROBACIÓN DE LOS REQUISITOS PARA LA INSTALACIÓN

2.1.1. COMPROBACIÓN DEL JARDÍN:

- Comprobar el estado del jardín según el capítulo 1.
- Nivelar el suelo para que no se formen charcos a causa de la lluvia.

2.1.2. COMPROBACIONES PARA LA INSTALACIÓN DE LA BASE DE CARGA Y DEL ALIMENTADOR:



PELIGRO ELÉCTRICO:

Se debe proporcionar una toma de corriente que cumpla con las leyes pertinentes del país.



PELIGRO ELÉCTRICO:

El circuito alimentado debe estar protegido por un interruptor diferencial (RCD) con una corriente de activación no superior a 30 mA.



PELIGRO ELÉCTRICO:

No conecte la fuente de alimentación a una toma de corriente si el enchufe o el cable están dañados. No conecte ni toque un cable dañado antes de desconectarlo de la fuente de alimentación. Un cable deteriorado puede crear contacto con las partes bajo tensión.

1. Proporcionar una zona nivelada en el borde del césped para colocar la base de carga
2. Asegúrese de que la distancia de la base a cualquier curva es de al menos 200 cm.



ATENCIÓN:

El cable de alimentación, el alargador y cualquier otro cable eléctrico que no pertenezca al producto deben permanecer fuera de la zona de corte para mantenerlos alejados de las piezas móviles peligrosas y para evitar que los cables se dañen y puedan entrar en contacto con piezas con tensión.

3. Preparar la zona de instalación del alimentador de manera que no pueda quedar sumergida en el agua bajo ninguna condición meteorológica. Instalar preferiblemente en un compartimento cerrado y protegido de los agentes atmosféricos, en una posición que no pueda ser alcanzada fácilmente por personas no autorizadas.

2.1.3. PRINCIPALES COMPROBACIONES PARA LA INSTALACIÓN DEL CABLE PERIMETRAL:

1. Comprobar que la pendiente máxima de la zona de trabajo sea inferior o igual al 45 % o al 50 % y según el modelo (Ver Párr. 7 DATOS TÉCNICOS), y cumplir las normas indicadas en la Fig. 3.



ATENCIÓN:

El robot puede cortar superficies con pendiente máxima del 45 % o 50 % según el modelo. Si no se siguen las instrucciones, el robot puede resbalar y salir de la zona de trabajo



ATENCIÓN:

Las zonas que presenten pendientes superiores a aquellas admisibles no pueden ser cortadas. Por lo tanto, colocar el cable perimetral antes de la pendiente, excluyendo del corte aquella zona de terreno.

2. Comprobar toda la zona de trabajo: identificar los obstáculos y las zonas que deben excluirse de la zona de trabajo, que deberán delimitarse con el cable perimetral.

2.2. CRITERIOS PARA LA INSTALACIÓN DEL CABLE PERIMETRAL

A continuación se detallan los criterios para la instalación del cable perimetral, para una información más detallada consulte el Manual de instrucciones completo.

DISTANCIAS MÍNIMAS		
ELEMENTO ESTRUCTURAL	DISTANCIA MÍNIMA DE INSTALACIÓN DEL CABLE CON RESPECTO A AL ELEMENTO ESTRUCTURAL	
TYPE	SRSW01	SRBW01
Pavimentación o camino de entrada al mismo nivel que el césped	5 cm	5 cm
Foso, Pared o Muro	35 cm	45 cm
Seto o planta con raíces sobresalientes.	30 cm	40 cm

Piscina, Estanque con rebosadero, Vía pública no protegida	90 cm	100 cm
Piscina o camino al final de un descenso	150 cm	150 cm

TIPOS DE DELIMITACIÓN DE OBSTÁCULOS
PASOXENTREDOSSECCIONESDECABLEPERIMETRAL DIFERENTES

TYPE		
SRSW01	SRBW01	
X \geq 70 cm (Fig. 4)	X \geq 90 cm (Fig. 4)	El obstáculo puede delimitarse sobreponiendo los tramos de cable de ida y vuelta sin cruzarlos..
X $<$ 70 cm (Fig. 5)	X $<$ 90 cm (Fig. 5)	El obstáculo puede delimitarse distanciando los tramos de cable de ida y vuelta al menos Y = 30 cm. Si el obstáculo es lo suficientemente fuerte, puede quedar desprotegido.

PASOS ENTRE LAS DISTINTAS ZONAS DEL JARDÍN
ANCHO PASILLO Z

TYPE		
SRSW01	SRBW01	
Z \geq 70 cm (Fig. 6)	Z \geq 90 cm (Fig. 6)	La zona (Fig. 6.A) puede ser alcanzada por el robot cortacésped.
Z $<$ 70 cm (Fig. 6)	Z $<$ 90 cm (Fig. 6)	La zona (Fig. 6.A) no puede ser alcanzada por el robot cortacésped y se considera una "Zona Cerrada".



ADVERTENCIA:
 El área operativa y, en general, las zonas en las que el robot cortacésped puede navegar deben estar delimitadas por una cerca que no se pueda franquear.
 Adecuar la cerca o supervisar el robot cortacésped durante su funcionamiento.

2.3. INSTALACIÓN DE LOS COMPONENTES



PELIGRO ELÉCTRICO:
 Utilizar únicamente el cargador de batería y el alimentador suministrados por el Fabricante. El uso inadecuado puede provocar una descarga eléctrica y/o un sobrecalentamiento.



ADVERTENCIA:
 Peligro de corte de manos.
 Usar guantes de protección para evitar peligros de cortes en las manos.



ADVERTENCIA:
 Peligro de polvo en los ojos.
 Usar gafas de protección para evitar peligro de polvo en los ojos.



PELIGRO ELÉCTRICO:
 Conectar la alimentación eléctrica una vez completadas todas las operaciones de instalación. Si fuera necesario, desconectar la alimentación eléctrica general durante la instalación.

2.3.1. INSTALACIÓN DEL CABLE PERIMETRAL

POSICIONAMIENTO CON ESTACAS

- Colocar el cable perimetral a partir de la zona de instalación de la base de carga.
- Colocar el cable a lo largo de todo el recorrido, fijándolo con las estacas adecuadas (Fig. 7.B) a una distancia de unos 100 cm, y respetando los requisitos de instalación indicados (Ver Párr. 2.2).
- Dejar 2m de cable de sobra para poder cortarlo posteriormente a medida en la fase final de conexión.
- En las curvas, colocar el cable de manera que el radio de curvatura sea de aproximadamente 20 cm (Fig. 7.A).

LONGITUD TOTAL DEL CABLE PERIMETRAL	CABLES STIGA COMPATIBLES CON LA INSTALACIÓN	
< 400m	Cód. 1127-0000-01	Carrete de 150 m, Ø 2,7 mm
	Cód. 1127-0001-01	Carrete de 300 m, Ø 2,7 mm
	Cód. 1127-0002-01	Carrete de 500 m, Ø 3,4 mm
	Cód. 1127-0003-01	Carrete de 1000 m, Ø 3,4 mm
\geq 400m hasta máx. 1000m	Cód. 1127-0002-01	Carrete de 500 m, Ø 3,4 mm
	Cód. 1127-0003-01	Carrete de 1000 m, Ø 3,4 mm



ATENCIÓN:
 Asegurarse de que el cable esté en contacto con el terreno a lo largo de todo su recorrido para evitar que el robot cortacésped pueda dañarlo.

NOTA: El cable perimetral utilizado para la instalación debe tener una longitud mínima de 40 m. Si la longitud del cable es menor, es necesario instalar el resistor cód. 122063053/0. Consulte el manual de instrucciones completo.

2.3.2. INSTALACIÓN BASE DE CARGA

Instale la base de carga en eje con el cable perimetral para que el robot pueda acceder navegando por el cable perimetral en el sentido de las agujas del reloj.

- Comprobar los requisitos para la instalación como se indica en el Párr. 2.2.
- Si fuera necesario, preparar el suelo para que la superficie de la base de carga esté al mismo nivel que el césped, el suelo debe ser perfectamente plano y compacto para evitar

la deformación de la superficie de la base de carga.

3. Retirar la tapa (Fig. 8.C).
4. Coloque la base de carga en eje con el cable perimetral (Fig. 8.D2) para que el robot pueda acceder navegando por el cable perimetral en el sentido de las agujas del reloj.
5. Introducir los dos extremos del cable en los pasos correspondientes (Fig. 8.E2).
6. Cortar los extremos del cable a la medida exacta.
7. Aplicar los conectores autopercutorantes en el cable (Fig. 9.F),(Fig. 9.G),(Fig. 9.H).
8. Conectar los conectores a los terminales (Fig. 8.I).
9. Fijar la base de carga (Fig. 10.L) al suelo con los tornillos de fijación (Fig. 10.M).
10. Retirar la tapa (Fig. 10.C).
11. Conectar la fuente de alimentación a la base de carga y atornillar el conector.
12. Conectar el enchufe del alimentador en la toma eléctrica.
13. Comprobar que cuando el robot cortacésped no esté en la base de carga, el indicador luminoso de la base de carga (Fig. 10.N) esté encendido con luz fija (ver Cap. 3.3).

2.4. RECARGA ROBOT CORTACÉSPED DESPUÉS DE LA INSTALACIÓN

En la primera recarga, las baterías deben permanecer en carga durante al menos 2 horas.

2.5. CONFIGURACIÓN DEL PRODUCTO

El funcionamiento automático del robot cortacésped requiere una serie de configuraciones que se pueden realizar a través de un dispositivo móvil (smartphone) iOS o Android con la aplicación "STIGA GO" instalada.

NOTA: Para una descripción más detallada de las funciones disponibles, consultar el Manual de instrucciones completo.

3. FUNCIONAMIENTO

3.1. FUNCIONAMIENTO MANUAL DEL ROBOT CORTACÉSPED

El robot cortacésped puede funcionar sin realizar la programación descrita (ver Párr. 2.5). En esta modalidad, el robot cortacésped realiza un ciclo de trabajo, vuelve a la base de carga y permanece allí hasta el siguiente arranque manual.

1. Colocar el robot cortacésped dentro sobre la base de carga o, en cualquier caso, dentro del perímetro de la instalación.
2. Pulsar el botón "STOP" (Fig. 1.A) para abrir la tapa (Fig. 1.B) y acceder a la consola de mando (Fig. 1.C).
3. Pulsar el botón "ON/OFF" (Fig. 1.E) durante 5 segundos para encender el robot cortacésped.
4. Presione el botón "SELECCIÓN MODALIDAD" (Fig. 1.F), hasta que solo parpadee el icono (Fig. 1.L).
5. Pulsar el pulsador "CONFIRMACIÓN" (Fig. 1.G). El icono (Fig. 1.L) se ilumina con luz fija para confirmar la operación.
6. Cerrar la tapa (Fig. 1.B). El robot cortacésped comenzará a trabajar.

NOTA: esta modalidad puede no garantizar una cobertura adecuada del jardín, tanto en términos de tiempo necesario como de uniformidad del resultado del corte, especialmente si el jardín tiene una forma irregular. Para lograr la máxima eficiencia del robot cortacésped se recomienda realizar la programación (Ver Párr. 2.5).

3.2. DESCRIPCIÓN DE LOS CONTROLES DEL ROBOT CORTACÉSPED

Lista de controles, indicadores y su función:

- Botón "STOP" (Fig. 1.A): sirve para la parada de seguridad del robot cortacésped.
- "LLAVE DE SEGURIDAD" (Fig. 1.D): sirve para apagar el robot cortacésped de forma segura.
- Botón "ON/OFF" (Fig. 1.E): sirve para encender y apagar el robot cortacésped y para el restablecimiento de las alarmas.
- Pulsador «SELECCIÓN MODALIDAD» (Fig. 1.F): se utiliza para seleccionar el modo de funcionamiento del robot cortacésped y para forzar el retorno a la base de carga.
- Pulsador "CONFIRMACIÓN" (Fig. 1.G): confirma el modo de funcionamiento programado.
- Icono luminoso "PROGRAMA PREVISTO" (Fig. 1.I): sirve para visualizar el ajuste del programa previsto.
- El icono luminoso "CICLO DE TRABAJO ÚNICO" (Fig. 1.L) se utiliza para mostrar el ajuste de un ciclo de trabajo único.
- Icono luminoso "VUELTA A LA BASE" (Fig. 1.H): sirve para visualizar la programación de la vuelta forzada a la base de recarga del robot cortacésped.
- Botón "BLUETOOTH" (Fig. 1.M): se utiliza solo por el centro de asistencia para actividades de diagnóstico.
- Icono luminoso "ALARMA" (Fig. 1.N): sirve para visualizar estados de alarma.
- Icono luminoso "BATERÍA" (Fig. 1.O): sirve para visualizar la carga de la batería.

NOTA: Para una descripción más detallada de los mandos indicados anteriormente, consultar el Manual de instrucciones Completo.

3.3. FUNCIONAMIENTO DE LA BASE DE CARGA

La base de carga está provista de un indicador luminoso (Fig. 10.N) que se ilumina como se indica a continuación:

- Piloto apagado: la base de carga no está alimentada o el robot está en la base.
- Piloto con luz fija: el cable perimetral está correctamente conectado a la base de carga y la señal perimetral se transmite correctamente.
- Piloto intermitente lento: el cable perimetral no está conectado o está interrumpido.
- Piloto intermitente rápido: el cable perimetral es demasiado corto o hay un fallo en la base de carga.

3.4. CARGA DE LA BATERÍA

El procedimiento de "CARGA DE LA BATERÍA" permite cargar el robot cortacésped manualmente.

1. Colocar el robot cortacésped en la base de carga (Fig. 11.R).
2. Deslizar el robot cortacésped sobre la base de carga hasta el enchufe del conector de carga (Fig. 11.S).
3. Pulsar el botón "STOP" (Fig. 11.A) para abrir la tapa (Fig. 11.B) y acceder a la consola de mando (Fig. 11.C).
4. Encender el robot cortacésped con el botón "ON/OFF" (Fig. 11.E).
5. El icono luminoso "BATERÍA" (Fig. 11.L) parpadea, el robot cortacésped se está cargando.
6. Cerrar la tapa (Fig. 11.B).
7. Dejar el robot cortacésped cargando como mínimo durante el tiempo indicado en el Párr. 2.4.

NOTA: La carga de la batería antes del almacenamiento invernal debe realizarse según lo indicado en el Párr. 4.3.

3.5. REGULACIÓN DE ALTURA DE CORTE

PLATAFORMA TIPO SRSW01 - AJUSTE MANUAL

1. Apagar el robot cortacésped de forma segura (Ver Párr. 1.4).
2. Utilizar el regulador de altura (Fig. 12.P) para seleccionar la altura de corte deseada, de modo que la hierba cortada no supere 10 mm.

NOTA: La longitud de la parte de la hierba cortada por el robot cortacésped no debe superar los 10 mm.

PLATAFORMA TIPO SRBW01 - AJUSTE ELÉCTRICO

Para ajustar la altura de corte siga el procedimiento guiado en APP. El sistema de ajuste de la altura de las cuchillas requiere una calibración inicial y calibraciones periódicas que se realizan automáticamente. La calibración también puede realizarse manualmente desde el menú específico de la aplicación.



ADVERTENCIA:
No toque el dispositivo de corte cuando ajuste la altura de corte.

NOTA: La longitud de la parte de la hierba cortada por el robot cortacésped no debe superar los 10 mm.

4. MANTENIMIENTO



ADVERTENCIA:
Utilizar únicamente recambios originales.



ADVERTENCIA:
No modificar, manipular, eludir ni eliminar los dispositivos de seguridad instalados.



ADVERTENCIA:
Peligro de corte de manos.
Usar guantes de protección para evitar peligros de cortes en las manos.



ADVERTENCIA:
Peligro de polvo en los ojos.
Usar gafas de protección para evitar peligro de polvo en los ojos.



ATENCIÓN:
El uso excesivo de agua puede causar infiltraciones dañando los componentes eléctricos.



PROHIBICIÓN:
No utilizar chorros de agua a presión.



PROHIBICIÓN:
Para no dañar los componentes eléctricos y electrónicos de manera irreversible, no sumergir el robot cortacésped, ni parcial ni totalmente, en agua.



PROHIBICIÓN:
No lavar las partes internas del robot para no dañar los componentes eléctricos y electrónicos.



PROHIBICIÓN:
No utilizar disolventes ni gasolina para no dañar las superficies barnizadas ni los componentes de plástico.

4.1. MANTENIMIENTO PROGRAMADO

Para un mejor funcionamiento y una mayor vida útil, asegurarse de limpiar el producto regularmente y sustituir las piezas desgastadas.

Realizar las operaciones con la frecuencia indicada en la tabla.

FRECUENCIA	COMPONENTE	TIPO DE INTERVENCIÓN
Semanal	Cuchilla	Limpiar y controlar la eficiencia de la cuchilla (Ver Párr. 4.2) Si la cuchilla está doblada a causa de un choque o si está desgastada, sustituirla. (Ver Párr. 4.2)
	Contactos de carga	Limpiar y eliminar las posibles oxidaciones. (Ver Manual de instrucciones Completo)
Mensual	Robot cortacésped	Efectuar la limpieza. (Ver Manual de instrucciones Completo)
	Base de carga y cables de alimentación	Controlar desgaste o deterioro y si es necesario cambiarlos. (Ver Manual de instrucciones Completo)
Al final de la temporada de corte o cada seis meses si no se utiliza el robot cortacésped	Batería	Realizar la carga de la batería previa al almacenamiento. (Ver Párr. 4.3)
Anual o al final de la temporada de corte	Robot cortacésped	Realizar la revisión en un centro de asistencia autorizado. (Ver Párr. 4.1)

Es necesario realizar una revisión de mantenimiento anual en un centro de asistencia autorizado para mantener el robot cortacésped en buenas condiciones de funcionamiento.

NOTA: las averías debidas a la falta de revisión anual no serán cubiertas por la garantía.

4.2. SUSTITUCIÓN DE LAS CUCHILLAS DE CORTE

1. Apagar el robot cortacésped de forma segura (Ver Párr. 1.4).
2. Poner el robot cortacésped boca abajo con cuidado de no dañar la cubierta flotante.
3. Desatornillar los tornillos de fijación (Fig. 14.E).
4. Sustituir las cuchillas de corte (Fig. 14.D).
5. Apretar los tornillos de fijación (Fig. 14.E).

4.3. MANTENIMIENTO DE LA BATERÍA EN INVIERNO Y ALMACENAMIENTO

1. Cargar la batería según el procedimiento guiado de la aplicación, accesible desde la página "Configuraciones".
2. Limpiar el robot cortacésped (Ver Manual de instrucciones Completo).
3. Guarde el robot cortacésped en un lugar seco y protegido de heladas, asegurándose de que está apagado.

NOTA: Para obtener información más detallada sobre el procedimiento de carga en invierno, consultar el Manual de instrucciones Completo.

NOTA: Para que la garantía de la batería sea válida es necesario registrar la carga mediante el procedimiento en la aplicación.

5.2. ALMACENAMIENTO

El robot cortacésped debe guardarse en posición horizontal en un lugar seco y protegido del hielo después de haber sido limpiado y haber recibido la carga invernal de la batería (Ver Cap. 4). Durante largos periodos de inactividad, desconecte la base de carga de la red eléctrica.

5.3. ELIMINACIÓN



ADVERTENCIA:
Para retirar la batería del robot cortacésped, contactar con un centro de asistencia autorizado.

1. Desechar el envase del producto de forma sostenible en los contenedores de recogida designados o en los centros de recogida autorizados.
2. Eliminar el robot cortacésped de acuerdo con los requisitos de la normativa local.
3. Ponerse en contacto con las instalaciones de reciclaje y eliminación adecuadas, ya que el robot cortacésped es un residuo clasificado como RAEE (Residuos de Aparatos Eléctricos y Electrónicos).
4. Desechar las baterías viejas o gastadas de forma sostenible en los contenedores de recogida específicos o en los centros de recogida autorizados.

4.4. SUSTITUCIÓN DE LA BATERÍA

La sustitución de la batería es responsabilidad exclusiva del PERSONAL DE ASISTENCIA TÉCNICA DE STIGA.

Si hubiera que sustituir la batería, es necesario ponerse en contacto con un centro de asistencia o con su distribuidor.

5. TRANSPORTE, ALMACENAMIENTO Y ELIMINACIÓN

5.1. TRANSPORTE

NOTA: Se sugiere utilizar el embalaje original para el transporte de largas distancias.

1. Apagar el robot cortacésped de forma segura (Ver Párr. 1.4).
2. Limpiar el robot cortacésped (Ver Manual de instrucciones Completo)
3. Levantar el robot cortacésped por el asa (Fig. 15 D) y transportarlo teniendo cuidado de mantener la cuchilla de corte alejada del cuerpo.

6. SOLUCIÓN DE PROBLEMAS



ADVERTENCIA:
Detener el robot cortacésped y ponerlo en condiciones seguras (Ver Párr. 1.4).

A continuación se enumeran las posibles anomalías que podían producirse durante el funcionamiento.

PROBLEMA	CAUSAS	SOLUCIONES
Vibraciones anómalas. El robot cortacésped hace ruido.	Disco o cuchillas de corte dañados	Sustituir los componentes dañados (Ver Párr. 4.2).
	Dispositivo de corte bloqueado por residuos (cintas, cuerdas, fragmentos de plástico, etc.).	Apagar el robot cortacésped de forma segura (Ver Párr. 1.4). Desbloquear la cuchilla de corte.
	El arranque del robot cortacésped se produce en presencia de obstáculos no previstos (ramas caídas, objetos olvidados, etc.).	Apagar el robot cortacésped de forma segura (Ver Párr. 1.4). Retirar los obstáculos y volver a poner en marcha el robot cortacésped.
	Motor eléctrico averiado.	Sustituir el motor, ponerse en contacto con el centro de asistencia autorizado más cercano.
Césped demasiado alto.		Aumentar la altura de corte (Ver Párr. 3.5).
		Efectuar un corte preliminar del área con una cortadora de césped normal.
El robot cortacésped no se coloca correctamente dentro de la estación de recarga.	Posición errónea del cable perimetral.	Comprobar la conexión de la estación de carga (Ver Párr. 2.3.2).
	Hundimiento del terreno cerca de la base de carga.	Restablecer la correcta posición de la base de carga. (Ver Párr. 2.3.2).
El robot cortacésped se comporta de forma anómala alrededor de los obstáculos del perímetro.	Cable perimetral colocado de forma incorrecta.	Volver a colocar el cable perimetral correctamente (sentido de las agujas del reloj) (Ver Párr. 2.3.1).
El piloto de la base de carga no se enciende cuando el robot está fuera de la base de carga.	No hay tensión de alimentación o hay un fallo en la base de carga.	Verificar la correcta conexión a la toma de corriente del alimentador. Comprobar la integridad del cable de conexión del alimentador.
El piloto de la base de carga parpadea lentamente	El cable perimetral no está conectado o está interrumpido	Comprobar la instalación y reparar la rotura (Ver Párr. 2.3)
El piloto de la base de carga parpadea rápidamente	El cable perimetral es demasiado corto o hay un fallo en la base de carga.	Comprobar que la longitud del cable perimetral sea mayor que la indicada en el Párr. 2.3.2. Si el problema persiste, contactar con un centro de asistencia.
El icono Warning (advertencia) se enciende en el teclado	Indica un estado de anomalía/fallo.	Consultar la aplicación para obtener más información o consultar el Manual de instrucciones Completo.

7. DATOS TÉCNICOS

DATOS TÉCNICOS	TIPO: SRSW01 (véase la etiqueta del producto)	TIPO: SRBW01 (véase la etiqueta del producto)
Dimensiones (anch. x alt. x prof.)	413 x 252 x 560 [mm]	529 x 299 x 695 [mm]
Peso del robot cortacésped	Depende del modelo: 7,9 [kg] - 8,2 [kg] (*) (Incertidumbre +/-0,1 [kg])	Depende del modelo: 12,8 [kg] - 13,5 [kg] (*) (Incertidumbre +/-0,1 [kg])
Altura de corte (Mín-Máx)	20-60 [mm]	20-65 [mm]
Diámetro cuchilla	180 [mm]	260 [mm]
Velocidad de corte	2850 +/-50 [rpm]	2400 +/-50 [rpm]
Velocidad de movimiento	22 [m/min]	Depende del modelo: 24 [m/min]; 28 [m/min] (*)
Pendiente máxima	45%.	50%.
Pendiente máxima a lo largo del perímetro	20%.	
Tipología del sistema de corte	4 cuchillas de corte pivotantes	6 cuchillas de corte pivotantes
Código del dispositivo de corte	322104105/0	
Nivel de potencia sonora detectada	57 [dB] (A)	56 [dB] (A)
Incertidumbre de las emisiones de ruido, KWA	1,47 [dB] (A)	0,56 [dB] (A)
Nivel de potencia sonora garantizada	59 [dB] (A)	57 [dB] (A)
Nivel de presión sonora en el oído del operador	46,3 [dB] (A)	45,2 [dB] (A)
Clasificación IP robot cortacésped	IPX5	
Clasificación IP estación de carga	IPX1	
Clasificación IP alimentador	IP67	
Temperatura ambiente de funcionamiento del robot cortacésped [°C].	0 ÷ 50	
Temperatura ambiente de funcionamiento de la estación de carga [°C].	-10 ÷ 50	
Temperatura ambiente de funcionamiento del alimentador [°C].	-10 ÷ 50	
Capacidad de trabajo	Depende del modelo (*)	Depende del modelo (*)
Alimentación	Entrada: 100-240 Vca, 1,2 A; Salida: 30 Vcc, 2 A Utilice uno de los códigos originales siguientes o las actualizaciones posteriores (consulte a un distribuidor autorizado STIGA) 118204158/0 (UE) 118204161/0 (UK) 118204163/0 (CH)	Entrada: 200-240 Vca, 0,8 A; Salida: 30 Vcc, 4 A Utilice uno de los códigos originales siguientes o las actualizaciones posteriores (consulte a un distribuidor autorizado STIGA) 118204159/0 (UE) 118204162/0 (UK) 118204164/0 (CH)
Cables de extensión de 30 Vcc permitidos	Utilice uno de los códigos originales siguientes o las actualizaciones posteriores (consulte a un distribuidor autorizado STIGA) Código: 1127-0010-01, Longitud 5 m Código: 1127-0020-01, Longitud 15 m	
Modelo batería	Depende del modelo: 25,2V - 2Ah; 25,2V - 2,5Ah; 25,2V - 5Ah; 25,2V - 6Ah (*)	Depende del modelo: 25,2V - 5Ah; 25,2V - 6Ah; 25,2V - 2x5Ah; 25,2V - 2x6Ah (*)
Tiempo de recarga	Depende del modelo: 60 [min]; 80 [min]; 150 [min] (*)	Depende del modelo: 150 [min]; 180 [min] (*)
Tiempo de trabajo	Depende del modelo: 60 [min]; 90 [min]; 150 [min] (*)	270 [min]
Conectividad	Bluetooth®	Bluetooth®, 4G, 3G, GSM
Tecnología de navegación	GNSS	

(*) Para más detalles sobre el modelo específico, consulte el manual completo disponible en línea (véase el código QR en la primera página de este manual).

O Manual de instruções completo está disponível:

- ▷ no sítio web stiga.com
- ▷ no App STIGA GO, disponível em App Store e Google Play
- ▷ digitalizando o QR code



NOTA: as instruções deste manual são válidas para todos os modelos de robot corta-relva de cabo guiado. As figuras, se não especificadas, referem-se à plataforma SRSW01.

NOTA: Este manual contém instruções básicas, principalmente relacionadas com a segurança. Para uma instalação correcta, o manual de instruções completo (ver acima) deve ser lido e seguido cuidadosamente.

1. SEGURANÇA

OBRIGAÇÃO:

Leia atentamente antes do uso e conserve para futuras consultas.

1.1. PRÁTICAS OPERATIVAS SEGURAS

Formação

- a. Leia atentamente as instruções, conheça os comandos e o uso correto da máquina.
- b. Nunca permita que crianças, pessoas com capacidades físicas, sensoriais ou mentais reduzidas, ou pessoas sem experiência e conhecimento, ou pessoas não familiarizadas com estas instruções, usem a máquina. As normas locais podem limitar a idade do operador.
- c. O operador, ou utilizador, deve ser considerado responsável por acidentes ou perigos que envolverem terceiros ou equipamentos de terceiros.

Preparação

- a. Certifique-se de que o sistema automático de delimitação perimetral esteja instalado corretamente, de acordo com as indicações.
- b. Inspeção frequentemente a área na qual a máquina é utilizada e remova pedras, bastões, cabos e qualquer outro objeto estranho que possa atrapalhar o funcionamento.
- c. Efetue frequentemente uma inspeção visual das lâminas, dos parafusos das lâminas e do grupo de corte para verificar se não estão desgastados ou danificados. Substitua as lâminas e os parafusos desgastados ou danificados em pares para manter o

equilíbrio da máquina.

- d. As placas de aviso devem ser colocadas em torno da área de trabalho da máquina, se utilizadas em áreas públicas ou abertas ao público. Os sinais devem conter o seguinte texto: "Atenção! Corta-relva automático! Mantenha-se afastado da máquina! Vigie as crianças!"

1.1.1.FUNIONAMENTO

Informações gerais

- a. Não utilize a máquina com proteções de-feitas ou dispositivos de segurança não presentes, por exemplo sem proteções.
- b. Não coloque as mãos ou os pés perto ou em-baixo das partes rotativas. Fique sempre longe da abertura de escape.
- c. Não toque nas partes em movimento da máquina até que tenham parado completamente.
- d. Use sempre sapatos resistentes e calças compridas ao operar a máquina.
- e. Nunca levante ou transporte a máquina enquanto o motor estiver a funcionar.
- f. Remova o dispositivo de desativação da unidade:
 - Antes de eliminar uma obstrução;
 - Antes de controlar, limpar ou trabalhar na máquina;
 - Se atingido por um objeto estranho, para verificar eventuais danos na máquina;
 - Se a máquina começa a vibrar de forma anormal, para controlar eventuais danos antes de reiniciá-la.
- g. Não deixe a máquina funcionar sozinha em caso de presença de animais domésticos, crianças, outras pessoas nas proximidades.

Manutenção e conservação

- a. Apertar bem todas as porcas e os parafusos, para o funcionamento seguro da máquina.
- b. Verificar frequentemente o desgaste e a deterioração do robot corta-relva.
- c. Por motivos de segurança, é necessário substituir as partes desgastadas ou da-

nificadas.

- d. Certificar-se de que as lâminas sejam substituídas apenas por peças sobressalentes apropriadas.
- e. Certificar-se de que as baterias sejam recarregadas usando o carregador de baterias correto recomendado pelo fabricante. Um uso não correto pode provocar um choque elétrico, o aquecimento excessivo ou o vazamento de líquido corrosivo da bateria.
- f. Em caso de vazamento de eletrólito, lave com água/agente neutralizante e contate um médico em caso de contato com os olhos, etc.
- g. A manutenção da máquina deve ser efetuada em conformidade com as instruções do fabricante.

Riscos residuais

- Embora o produto esteja em conformidade com todos os requisitos de segurança, podem ainda existir ulteriores riscos devidos a uma instalação incorreta e/ou a situações imprevisíveis.

É por isso necessário manter a área onde o produto funciona livre de objetos, pessoas e animais, informando dos possíveis perigos todas as pessoas que possam ter acesso, mesmo só ocasionalmente, à área de trabalho.

- Em caso de tempestades com risco de queda de raios e, em geral, em antecipação a condições climáticas adversas, recomenda-se não usar o produto e desconectar o cabo de perímetro da base de carregamento e todos os periféricos da rede elétrica. Para usar o produto, reconecte o cabo de perímetro e os periféricos à rede elétrica de acordo com as instruções do manual.

1.2. DESCRIÇÃO DO PRODUTO

O robot corta-relva foi concebido para cortar a relva em áreas do jardim delimitadas pelo cabo perimetral.

O princípio de funcionamento baseia-se na navegação aleatória. O robot corta-relva muda a trajetória quando detetar o cabo perimetral ou um obstáculo.

Qualquer outro uso pode ser perigoso e causar danos a pessoas e/ou coisas. O uso indevido inclui (mas não está limitado a): transportar pessoas, crianças ou animais na máquina; ser transportado pela máquina; usar a máquina para rebocar ou empurrar cargas; usar a máquina para cortar vegetação não gramínea.

A plataforma TYPE: O SRBW01 está equipado com um módulo

3G/4G com cartão SIM e um módulo GNSS, que permitem o controlo remoto do robot corta-relva e as funções de assistência à navegação.

1.3. SÍMBOLOS E PLACAS



ATENÇÃO:

Leia as instruções para o utilizador antes de usar o produto.



ATENÇÃO:

Perigo de arremessos de objetos contra o corpo.

Manter-se a uma distância de segurança da máquina durante o funcionamento.



ATENÇÃO:

Não introduza mãos ou pés dentro do alojamento do dispositivo de corte.

Remova o dispositivo de desabilitação antes de intervir na máquina ou antes de levantá-la.



ATENÇÃO:

Não introduza mãos ou pés dentro do alojamento do dispositivo de corte.

Não suba na máquina.



PROIBIÇÃO:

Certifique-se de que não haja pessoas presentes (principalmente crianças, idosos ou pessoas com deficiência física) e animais domésticos na área de trabalho durante o funcionamento da máquina.

Mantenha as crianças, os animais domésticos e as outras pessoas a uma distância de segurança quando a máquina estiver a funcionar.



PROIBIÇÃO:

Não utilize limpadores de alta pressão na máquina para limpá-la ou lavá-la.



Aparelho com classe de isolamento III, alimentado por bateria (robot corta-relva) ou através de uma fonte de alimentação específica (Base de carregamento e Estação de referência).



Utilize a fonte de alimentação original com as características reportadas na placa.



Símbolo da fonte de alimentação em corrente contínua.

IPXX

Grau de proteção contra a entrada de objetos sólidos e de água.



Resíduos de equipamentos elétricos e eletrónicos, a entregar em instalações adequadas para reciclagem e eliminação.



Nível de potência sonora garantido

1.4. PARAGEM E DESLIGAMENTO DO ROBOT CORTA-RELVA EM CONDIÇÕES DE SEGURANÇA



OBRIGAÇÃO:

Desligue sempre o robot corta-relva em condições de segurança, antes de qualquer operação de limpeza, transporte, manutenção.

1. Prima o botão "STOP" (Fig. 1.A) para parar o robot corta-relva em condições de segurança e abrir a cobertura de proteção (Fig. 1.B).
2. Pressione o botão de desligamento (Fig. 1.E) durante alguns segundos e aguarde que o LED do mesmo botão apague-se.
3. Só depois de o LED ter-se apagado (Fig. 1.E), remova a chave de segurança (Fig. 1.D) para desligar o robot corta-relva em condições de segurança.
4. O robot corta-relva é parado ou desligado em condições de segurança.

2. INSTALAÇÃO



ATENÇÃO:

Não altere, não adultere, não esquive, não elimine os dispositivos de segurança instalados.

NOTA: Para obter mais informações sobre a instalação do produto, entre em contacto com um revendedor STIGA.

COMPONENTES PARA A INSTALAÇÃO (FIG. 2)

(A) Base de carregamento, (B) Alimentador, (C) Cabo perimetral, (D) Pregos de fixação do cabo perimetral, (E) Parafusos de fixação de base de carregamento, (F) Junta do cabo perimetral, (G) Conectores da base de carregamento.

2.1. VERIFICAÇÃO DOS REQUISITOS PARA A INSTALAÇÃO

2.1.1. VERIFICAÇÃO DO JARDIM:

- Verifique o estado do jardim conforme descrito no Cap.1.
- Nivele o terreno para que não se formem poças após a chuva.

2.1.2. VERIFICAÇÕES PARA A INSTALAÇÃO DA BASE DE RECARGA E DO ALIMENTADOR:



PERIGO ELÉTRICO:

É necessário preparar uma tomada que esteja em conformidade com as leis em vigor no país.



PERIGO ELÉTRICO:

O circuito fornecido deve ser protegido por um interruptor diferencial (RCD) com uma corrente de ativação não superior a 30 mA.



PERIGO ELÉTRICO:

Não ligue o alimentador a uma tomada elétrica se a ficha ou o cabo estiverem danificados. Não ligue ou toque num cabo danificado antes de este ser desligado da alimentação. Um cabo danificado ou pode provocar o contacto com partes sob tensão.



ATENÇÃO:

O cabo de alimentação, o alimentador, o cabo de extensão e quaisquer outros cabos elétricos não pertencentes ao produto devem permanecer fora da área de corte para mantê-los longe de partes móveis perigosas e evitar danos aos cabos que possam levar ao contacto com partes energizadas.

3. Prepare a zona de instalação do alimentador de maneira que em nenhuma condição atmosférica se encontre em condições de imersão em água. Instale de preferência num compartimento fechado e protegido de agentes atmosféricos, numa posição que não possa ser facilmente alcançado por pessoas não autorizadas.

2.1.3. PRINCIPAIS VERIFICAÇÕES PARA A INSTALAÇÃO DO CABO PERIMETRAL:

1. Verifique se o declive máximo da área de trabalho seja inferior ou igual a 45% ou 50%, dependendo do modelo (Veja Par. 7 DADOS TÉCNICOS), e respeite as regras indicadas na Fig. 3.



ATENÇÃO:

O robot pode raspar superfícies com uma inclinação máxima de 45% ou 50%, dependendo do modelo. Em caso de inobservância das instruções, o robô pode derrapar e sair da área de trabalho



ATENÇÃO:

As zonas que apresentam declives superiores aos admitidos não podem ser raspadas. Posicione, portanto, o cabo perimetral antes do declive excluindo do corte aquela zona de relvado.

2. Verifique toda a superfície de trabalho: avaliar os obstáculos e as zonas a serem excluídas da área de trabalho, que deverão ser delimitadas com o cabo perimetral.

2.2. CRITÉRIOS PARA A INSTALAÇÃO DO CABO PERIMETRAL

A seguir estão indicados os critérios para a instalação do cabo perimetral, para informações mais detalhadas, consulte o Manual de Instruções completo.

DISTÂNCIAS MÍNIMAS		
ELEMENTO ESTRUTURAL	DISTÂNCIA MÍNIMA DE INSTALAÇÃO DO CABO EM RELAÇÃO AO ELEMENTO ESTRUTURAL	
	TIPO	SRSW01
Pavimentação ou via ao mesmo nível do relvado	5 cm	5 cm
Vala, Parede ou Muro	35 cm	45 cm
Sebe ou planta com raízes salientes	30 cm	40 cm

Piscina, lago de borda infinita, via pública desprotegida	90 cm	100 cm
Piscina ou estrada no final de uma descida	150 cm	150 cm

TIPOLOGIAS DE DELIMITAÇÃO DE OBSTÁCULOS		
PASSAGEM X ENTRE DUAS SECÇÕES DIFERENTES DO CABO PERIMETRAL		
TIPO		
SRSW01	SRBW01	
X \geq 70 cm (Fig. 4)	X \geq 90 cm (Fig. 4)	O obstáculo pode ser delimitado pela sobreposição das secções de cabo de ida e retorno sem atravessá-las.
X $<$ 70 cm (Fig. 5)	X $<$ 90 cm (Fig. 5)	O obstáculo pode ser delimitado espaçando as duas secções do cabo para frente e para trás em pelo menos Y= 30 cm. Se o obstáculo for suficientemente forte, pode ser deixado sem proteção.

PASSAGENS ENTRE DIVERSAS ZONAS DO JARDIM		
LARGURA CORREDOR Z		
TIPO		
SRSW01	SRBW01	
Z \geq 70 cm (Fig. 6)	Z \geq 90 cm (Fig. 6)	A zona (Fig. 6.A) pode ser alcançada pelo robot corta-relva.
Z $<$ 70 cm (Fig. 6)	Z $<$ 90 cm (Fig. 6)	A zona (Fig. 6.A) não pode ser alcançada pelo robô corta-relva e deve ser considerada "Área Fechada".

**ADVERTÊNCIA:**

A área operativa e, em geral, as áreas nas quais o robot corta-relva pode navegar deve ser delimitada por uma cerca não passável. Torne a cerca adequada ou supervisione o robot corta-relva durante o funcionamento.

2.3. INSTALAÇÃO DOS COMPONENTES**PERIGO ELÉTRICO:**

Utilize apenas carregador de bateria e alimentador fornecidos pelo fabricante. O uso não apropriado pode provocar choques elétricos e/ou aquecimento excessivo.

**ADVERTÊNCIA:**

Perigo de corte das mãos. Use luvas de proteção para evitar perigos de corte nas mãos.

**ADVERTÊNCIA:**

Perigo de entrada de pó entrem nos olhos. Use óculos de proteção para evitar perigos de entrada de pó nos olhos.

**PERIGO ELÉTRICO:**

Conectar alimentação elétrica somente ao término de todas as operações de instalação. Se necessário, durante a instalação, desative a alimentação elétrica.

2.3.1. INSTALAÇÃO DO CABO PERIMETRAL**POSICIONAMENTO COM PINOS**

1. Posicione o cabo perimetral começando pela zona de instalação da base de recarga.
2. Posicione o cabo ao longo de todo o percurso, fixando-o com os pinos apropriados (Fig. 7.B) distanciados a cerca de 100 cm, e respeitando os requisitos de instalação indicados (Ver Par. 2.2).
3. Deixe 2 m de cabo de sobr para cortá-lo sucessivamente de acordo com a medida necessária na fase final de ligação.
4. Em curvas, posicione o cabo de tal forma que o raio de curvatura seja de cerca de 20 cm (Fig. 7.A).

COMPRIMENTO TOTAL DO CABO PERIMETRAL	CABOS STIGA COMPATÍVEIS COM A INSTALAÇÃO	
< 400m	Cód. 1127-0000-01	Bobina 150 m, Ø 2,7 mm
	Cód. 1127-0001-01	Bobina 300 m, Ø 2,7 mm
	Cód. 1127-0002-01	Bobina 500 m, Ø 3,4 mm
	Cód. 1127-0003-01	Bobina 1000 m, Ø 3,4 mm
\geq 400m até ao máximo de 1000m	Cód. 1127-0002-01	Bobina 500 m, Ø 3,4 mm
	Cód. 1127-0003-01	Bobina 1000 m, Ø 3,4 mm

**ATENÇÃO:**

Certifique-se de que o cabo esteja em contato com terreno por todo percurso para evitar que o robot corta-relva possa danificá-lo.

NOTA: O cabo perimetral utilizado para a instalação deve ter um comprimento de pelo menos 40 m. Caso o comprimento do cabo seja inferior, é necessário instalar o resistor cód. 122063053/0. Consulte o manual de instruções completo.

2.3.2. INSTALAÇÃO DA BASE DE RECARGA

Instale a base de carregamento axialmente ao cabo perimetral, ao qual o robot pode aceder navegando sobre o cabo perimetral em sentido horário.

1. Verifique os requisitos para a instalação como indicado no Par. 2.2.
2. Se necessário, prepare o terreno para que a superfície da base de recarga esteja no mesmo nível do relvado. O terreno pode estar perfeitamente plana e compacto para evitar a formação da superfície da base de carga.

3.2. DESCRIÇÃO DOS COMANDOS PRESENTES NA ROBOT CORTA-RELVA

Lista dos comandos, indicadores e sua função:

- Tecla STOP (Fig. 1.A): serve para a paragem de segurança do robot corta-relva.
- “CHAVE DE SEGURANÇA” (Fig. 1.D): serve para o desligamento de segurança do robot corta-relva.
- Tecla “ON/OFF” (Fig. 1.E): é usado para ligar e desligar o robot corta-relva e para reiniciar os alarmes.
- Botão “SELEÇÃO MODO” (Fig. 1.F): serve para seleccionar o modo de operação do robot corta-relva e para forçar o retorno à base de carregamento.
- Botão “CONFIRMAÇÃO” (Fig. 1.G): serve para confirmar o modo operativo configurado.
- Ícone luminoso “PROGRAMA AGENDADO” (Fig. 1.I): serve à visualização da configuração do programa agendado.
- Ícone luminoso “CICLO DE TRABALHO ÚNICO” (Fig. 1.L): serve para a visualização da configuração do ciclo de trabalho único.
- Ícone luminoso “RETORNO À BASE” (Fig. 1.H): serve à visualização da configuração de retorno forçado à base de recarga do robot corta-relva.
- Tecla BLUETOOTH (Fig. 1.M): é usado apenas pelo centro de assistência para atividades de diagnóstico.
- Ícone luminoso “ALARME” (Fig. 1.N): serve à visualização dos estados de alarme.
- Ícone luminoso “BATERIA” (Fig. 1.O): serve à visualização da carga da bateria.

NOTA: Para obter uma descrição mais detalhada dos comandos listados acima, consulte o manual de instruções completo.

3.3. FUNCIONAMENTO DA BASE DE RECARGA

A base de recarga está equipada com uma luz (Fig. 10.N) que se acende da seguinte forma:

- Indicador luminoso apagado: a base de recarga está desalimentada ou o robot está na base.
- Indicador luminoso com luz fixa: o cabo perimetral foi conectado corretamente à base de recarga e o sinal perimetral é transmitido corretamente.
- Indicador intermitente lento: o cabo perimetral não está conectado ou está interrompido.
- Indicador intermitente rápido: o cabo perimetral é muito curto ou está presente uma avaria na base de recarga.

3.4. CARREGAMENTO DA BATERIA

O procedimento “CARREGAMENTO DA BATERIA” permite recarregar o robot corta-relva manualmente.

1. Posicione o robot corta-relva na base de recarga (Fig. 11.R).
2. Faça deslizar o robot corta-relva na base de recarga até o engate do conector de recarga (Fig. 11.S).
3. Prima o botão “STOP” (Fig. 11.A) para abrir a tampa (Fig. 11.B) e aceda à consola de comando (Fig. 11.C).
4. Ligue o robot corta-relva através da tecla “ON/OFF” (Fig. 11.E).
5. O ícone luminoso “BATERIA” (Fig. 11.L) intermitente, o robot corta-relva está a carregar.
6. Feche a cobertura (Fig. 11.B).
7. Deixe o robot corta-relva a carregar pelo menos pelo tempo mínimo àquele indicado no Par. 2.4.

NOTA: A recarga da bateria antes do armazenamento e de inverno deve ser efetuada segundo as indicações contidas no Par. 4.3.

3. Remova a tampa (Fig. 8.C).
4. Posicione a base de carregamento no eixo do cabo do perímetro (Fig. 8.D2) de modo que o robot possa aceder navegando sobre o cabo perimetral em sentido horário.
5. Insira as duas extremidades do cabo nas passagens apropriadas (Fig. 8.E2).
6. Corte na medida exata as extremidades dos cabos.
7. Aplique os conectores autopercutantes no cabo (Fig. 9.F),(Fig. 9.G),(Fig. 9.H).
8. Conecte os conectores aos terminais (Fig. 8.I).
9. Fixe a base de recarga (Fig. 10.L) ao terreno com os parafusos de fixação (Fig. 10.M).
10. Colocar novamente a tampa (Fig. 10.C).
11. Ligue a fonte de alimentação à base de carregamento e aparafuse o conector.
12. Conecte a ficha do alimentador à tomada elétrica.
13. Verifique se quando o robot corta-relva não estiver na base de recarga, o indicador luminoso da base de recarga (Fig. 10.N) encontra-se aceso com uma luz fixa (veja o Cap. 3.3).

2.4. RECARGA ROBOT CORTA-RELVA APÓS A INSTALAÇÃO

As baterias, na primeira recarga, devem permanecer em recarga por pelo menos 2 horas.

2.5. CONFIGURAÇÃO DO PRODUTO

O funcionamento automático do robot corta-relva requer uma série de configurações que podem ser efetuadas através do dispositivo móvel (smartphone) iOS ou Android com a App “STIGA GO” instalada.

NOTA: Para obter uma descrição mais detalhada das funções disponíveis, consulte o manual de instruções completo.

3. FUNCIONAMENTO

3.1. FUNCIONAMENTO MANUAL DO ROBOT CORTA-RELVA.

O robot corta-relva pode ser utilizado sem efetuar a programação descrita (veja Par.2.5). Nesta modalidade, o robot corta-relva efetua um ciclo de trabalho, retorna para base de recarga e permanece ali até o sucessivo arranque manual.

1. Posicione o robot corta-relva na base de recarga ou dentro do perímetro da instalação.
2. Prima o botão “STOP” (Fig. 1.A) para abrir a tampa (Fig. 1.B) e aceda à consola de comando (Fig. 1.C).
3. Prima o botão “ON/OFF” (Fig. 1.E) por 5 segundos para ligar o robot corta-relva.
4. Pressione o botão “SELEÇÃO MODALIDADE” (Fig. 1.F) até a intermitência do único ícone (Fig. 1.L).
5. Pressione o botão “CONFIRMAR” (Fig. 1.G). O ícone (Fig. 1.L) acende-se com uma luz constante para confirmar a operação.
6. Feche a cobertura (Fig. 1.B). O robot corta-relva vai começar a trabalhar.

NOTA: Esta modalidade pode não garantir uma cobertura adequada do jardim em termos de tempo necessário e em termos de uniformidade do resultado de corte, especialmente se o jardim possui uma forma não regular. Para alcançar a eficiência máxima do robot corta-relva, recomenda-se efetuar a programação (Veja Par. 2.5).

3.5. REGULAÇÃO DA ALTURA DE CORTE

TIPO DE PLATAFORMA SRSW01 - REGULAÇÃO MANUAL

1. Desligue o robot corta-relva em condições de segurança (veja Par. 1.4).
2. Utilize o regulador de altura (Fig. 12.P) para selecionar a altura de corte desejada, para que a parte de relva cortada não seja superior a 10 mm.

NOTA: O comprimento da parte de relva cortada pelo robot corta-relva não deve superar 10 mm.

PLATAFORMA TIPO SRBW01 - REGULAÇÃO ELÉTRICA

Para regular a altura de corte, siga o assistente no APP. O sistema de regulação altura lâmina requer uma calibração inicial e de calibrações periódicas que são efetuadas automaticamente. A calibração também pode ser efetuada manualmente a partir do menu dedicado na aplicação.



ADVERTÊNCIA:

Não toque no dispositivo de corte ao ajustar a altura de corte.

NOTA: O comprimento da parte de relva cortada pelo robot corta-relva não deve superar 10mm.

4. MANUTENÇÃO



ADVERTÊNCIA:

Use apenas peças sobressalentes originais.



ADVERTÊNCIA:

Não altere, não adultere, não esquive, não elimine os dispositivos de segurança instalados.



ADVERTÊNCIA:

Perigo de corte das mãos.

Use luvas de proteção para evitar perigos de corte nas mãos.



ADVERTÊNCIA:

Perigo de entrada de pó entrem nos olhos.

Use óculos de proteção para evitar perigos de entrada de pó nos olhos.



ATENÇÃO:

O uso excessivo de água pode causar infiltrações danificando os componentes elétricos.



PROIBIÇÃO:

Não utilize jatos de água em pressão.



PROIBIÇÃO:

Para não danificar os componentes elétricos e eletrônicos de forma irreversível, não mergulhe o robot, parcialmente ou totalmente, na água.



PROIBIÇÃO:

Não lave as partes internas do robot para não danificar os componentes elétricos e eletrônicos.



PROIBIÇÃO:

Não utilize solventes ou gasolina para não danificar as superfícies pintadas e os componentes de plástico.

4.1. MANUTENÇÃO PROGRAMADA

Para um melhor funcionamento e uma maior duração, certifique-se de limpar regularmente o produto e substitua as partes desgastadas.

Efetue as intervenções na frequência indicada na tabela.

FREQUÊNCIA	COMPONENTE	TIPO DE INTERVENÇÃO
Semanalmente	Lâmina	Limpe e controle a eficiência da lâmina. (Veja Par. 4.2) Se a lâmina estiver dobrada por causa de uma colisão ou desgastada, substitua-a. (Veja Par. 4.2)
	Contatos de recarga	Limpe e elimine as eventuais oxidações. (Veja o manual de instruções completo)
Mensal	Robot corta-relva	Efetue a limpeza. (Veja o manual de instruções completo)
	Base de recarga e cabos de alimentação	Controle o desgaste ou deterioramentos e, se necessário, substitua-os. (Veja o manual de instruções completo)
Ao término da estação de corte ou semestral se o robot corta-relva não for utilizado	Bateria	Efetue o carregamento pré-armazenamento da bateria. (Veja Par. 4.3)
Anual ou ao término da estação de corte	Robot corta-relva	Faça a revisão num centro de assistência autorizado. (Veja Par. 4.1)

É necessário efetuar anualmente uma revisão de manutenção num centro de assistência autorizado para manter o robot corta-relva em boas condições de funcionamento.

NOTA: eventuais avarias provocadas pela não realização da revisão anual não serão cobertas pela garantia.

4.2. SUBSTITUIÇÃO DAS LÂMINAS DE CORTE

1. Desligue o robot corta-relva em condições de segurança (veja Par. 1.4).
2. Vire o robot corta-relva prestando atenção para não deixar danificar a cobertura flutuante.
3. Desaperte os parafusos de fixação (Fig. 14.E).
4. Substitua as lâminas de corte (Fig. 14.D).
5. Aparafuse os parafusos de fixação (Fig. 14.E).

4.3. MANUTENÇÃO DE INVERNO DA BATERIA E ARMAZENAMENTO

1. Carregue a bateria segundo procedimento guiado indicado na App, que pode ser acessada através da página "Configurações".
2. Limpe o robot corta-relva (Veja o manual de instruções completo)

3. Conservar o robô corta-relva num local seco e protegido do gelo, e certificar-se de que esteja desligado.

NOTA: Para obter informações mais detalhadas sobre o procedimento de carregamento de inverno, consulte o manual de instruções completo.

NOTA: O registro da recarga através do procedimento na App é necessário para fins de validade da garantia da bateria.

3. Retire o robot corta-relva da respetiva pega (Fig. 15.D) e transporte-o prestando atenção para manter a lâmina de corte longe do corpo.

5.2. ARMAZENAMENTO

O robot corta-relva deve ser armazenado em posição horizontal num local seco e protegido do gelo após efetuar a limpeza e a recarga de inverno da bateria (veja Cap.4). Para longos períodos de inatividade, desconecte a base de carregamento da rede elétrica.

5.3. ELIMINAÇÃO



ADVERTÊNCIA:

Para remoção da bateria do robot corta-relva, contate um centro de assistência autorizado.

1. Elimine a embalagem do produto de maneira sustentável nos seus recipientes de recolha específicos ou em centros específicos autorizados à recolha.
2. Elimine o robot corta-relva no respeito dos requisitos das normas de leis locais.
3. Contate específicas estruturas para a reciclagem e a eliminação pois o robot corta-relva é um resíduo classificado RAEE (Resíduo de Equipamentos Elétricos e Eletrónicos).
4. Elimine as baterias velhas ou usadas de maneira sustentável nos seus recipientes de recolha específicos ou em centros específicos autorizados à recolha.

4.4. SUBSTITUIÇÃO DA BATERIA

A substituição da bateria é de competência exclusiva do PESSOAL DE ASSISTÊNCIA TÉCNICA DA STIGA.

Caso seja necessário a substituição da bateria, contate um centro de assistência ou o próprio revendedor.

5. TRANSPORTE, ARMAZENAMENTO E ELIMINAÇÃO

5.1. TRANSPORTE

NOTA: Sugere-se o uso da embalagem original para o transporte em longas distâncias.

1. Desligue o robot corta-relva em condições de segurança (veja Par. 1.4).
2. Limpe o robot corta-relva (Veja o manual de instruções completo)

6. SOLUÇÃO DOS PROBLEMAS



ADVERTÊNCIA:

Pare o robot corta-relva e o deixe em condições de segurança (Veja Par. 1.4).

A seguir, será indicada uma lista de eventuais anomalias que podem se apresentar durante o trabalho.

PROBLEMA	CAUSAS	SOLUÇÕES
Vibrações anormais. O robot corta-relva é barulhento.	Disco ou lâmina de corte danificadas	Substitua os componente danificados (Veja Par. 4.2).
	Dispositivo de corte bloqueado por resíduos (fitas, cordas, fragmentos de plástico, etc.).	Desligue o robot corta-relva em condições de segurança (Veja Par. 1.4). Desbloqueie a lâmina de corte.
	O arranque do robot corta-relva ocorreu com a presença de obstáculos não previstos (galhos caídos, objetos esquecidos, etc.).	Desligue o robot corta-relva em condições de segurança (Veja Par. 1.4). Remova os obstáculos e ligue novamente o robot corta-relva.
	Motor elétrico em avaria.	Substitua o motor, contate o centro de assistência autorizado mais próximo.
O robot corta-relva não se posiciona corretamente no interior da estação de recarga.	Relva muito alta.	Aumente a altura de corte (Ver Par. 3.5). Efetue um corte preliminar da área com uma cortador de relva normal.
	Posição errada do cabo perimetral.	Verifique a conexão da estação de recarga (Veja Par. 2.3.2).
O robot corta-relva se comporta de maneira anormal em torno de obstáculos perimetrais.	Cedimento do terreno próximo da base de recarga.	Restabeleça o posicionamento correto da base de recarga. (Veja Par. 2.3.2).
	Cabo perimetral assentado de forma errada.	Reposicione o cabo perimetral corretamente (sentido horário) (veja Par. 2.3.1).
O indicador luminoso da base de recarga não acende quando robot estiver fora da base de recarga.	Falta a tensão de alimentação ou está presente uma avaria na base de recarga.	Verifique a ligação correta à tomada de corrente do alimentador. Verifique a integridade do cabo de conexão do alimentador.
O indicador luminoso da base de recarga acende com uma intermitência lenta	O cabo perimetral não está conectado ou está interrompido	Verifique a instalação e conserte a ruptura (Veja Par. 2.3)
O indicador luminoso da base de recarga acende com uma intermitência rápida	O cabo perimetral é muito curto ou está presente uma avaria na base de recarga.	Verifique se o comprimento do cabo perimetral é superior às indicações contidas no Par. 2.3.2. Se o problema persistir, contate um centro de assistência.
No teclado, está aceso o ícone Warning	Sinaliza condições de anomalia/avaria.	Consulte o Manual de Instruções completo.

7. DADOS TÉCNICOS

ESPECIFICAÇÕES	TIPO: SRSW01 (veja a etiqueta do produto)	TIPO: SRBW01 (veja a etiqueta do produto)
Dimensões (BxAxP)	413 x 252 x 560 [mm]	529 x 299 x 695 [mm]
Peso do robot corta-relva	Depende do modelo: 7,9 [kg] - 8,2 [kg] (*) (Incerteza +/-0,1 [kg])	Depende do modelo: 12,8 [kg] - 13,5 [kg] (*) (Incerteza +/-0,1 [kg])
Altura de corte (Min-Máx)	20-60 [mm]	20-65 [mm]
Diâmetro lâmina	180 [mm]	260 [mm]
Velocidade de corte	2850+/-50 [rpm]	2400+/-50 [rpm]
Velocidade de movimento	22 [m/min]	Depende do modelo: 24 [m/min]; 28 [m/min] (*)
Pendência máxima	45%	50%
Inclinação máxima ao longo do perímetro		20%
Tipologia do sistema de corte	4 lâminas de corte pivô	6 lâminas de corte pivô
Código do dispositivo de corte	322104105/0	
Nível de potência acústica detetada	57 [dB] (A)	56 [dB] (A)
Incerteza das emissões de ruído, KWA	1,47 [dB] (A)	0,56 [dB] (A)
Nível de potência acústica garantida	59 [dB] (A)	57 [dB] (A)
Nível de pressão acústica no ouvido do operador	46,3 [dB] (A)	45,2 [dB] (A)
Classificação IP robot corta-relva	IPX5	
Classificação IP estação de recarga	IPX1	
Classificação IP alimentador	IP67	
Temperatura ambiente de funcionamento robot corta-relva [°C]	0 ÷ 50	
Temperatura ambiente de funcionamento estação de recarga [°C]	-10 ÷ 50	
Temperatura ambiente de funcionamento alimentador [°C]	-10 ÷ 50	
Capacidade de trabalho	Depende do modelo (*)	Depende do modelo (*)
Alimentação	Entrada: 100-240 Vca, 1,2 A; Saída: 30 Vcc, 2 A Utilize um dos códigos originais abaixo ou posteriores atualizações (consulte um revendedor autorizado STIGA) 118204158/0 (UE) 118204161/0 (UK) 118204163/0 (CH)	Entrada: 200-240 Vca, 0,8 A; Saída: 30 Vcc, 4 A Utilize um dos códigos originais abaixo ou posteriores atualizações (consulte um revendedor autorizado STIGA) 118204159/0 (UE) 118204162/0 (UK) 118204164/0 (CH)
Cabos de extensão 30 Vcc permitidos	Utilize um dos códigos originais abaixo ou posteriores atualizações (consulte um revendedor autorizado STIGA) Código: 1127-0010-01, Comprimento 5 m Código: 1127-0020-01, Comprimento 15 m	
Modelo bateria	Depende do modelo: 25,2V - 2Ah; 25,2V - 2,5Ah; 25,2V - 5Ah; 25,2V - 6Ah (*)	Depende do modelo: 25,2V - 5Ah; 25,2V - 6Ah; 25,2V - 2x5Ah; 25,2V - 2x6Ah (*)
Tempo de recarga	Depende do modelo: 60 [min]; 80 [min]; 150 [min] (*)	Depende do modelo: 150 [min]; 180 [min] (*)
Tempo de trabalho	Depende do modelo: 60 [min]; 90 [min]; 150 [min] (*)	270 [min]
Conectividade	Bluetooth®	
Tecnologia de navegação	GNSS	

(*) Para mais informações sobre o modelo específico, consulte o manual completo disponível em linha (veja código QR na primeira página deste folheto).

Den komplette instruksjonshåndboken er tilgjengelig:

- ▷ på nettsiden stiga.com
- ▷ i Appen STIGA GO, tilgjengelig på App Store og Google Play
- ▷ ved å scanne QR-koden



MERK: instruksjonene i denne håndboken gjelder for alle robotgressklippermodellene styrt med ledning. Figurene, hvis de ikke er spesifisert, refererer til SRSW01-plattformen.

MERK: Denne håndboken inneholder grunnleggende instruksjoner, hovedsakelig relatert til sikkerhet. For riktig installasjon må den fullstendige bruksanvisningen (se ovenfor) leses og følges nøye.

1. SIKKERHET

PÅBUD:

Les nøye før bruk og oppbevar for fremtidig referanse.

1.1. SIKKER BRUKSPRAKSIS

Opplæring

- a. Les instruksjonene nøye, ha kjennskap til kommandoene og riktig bruk av maskinen.
- b. La aldri barn, personer med nedsatt fysisk, sensorisk eller mental evne, eller uten erfaring og kunnskap, eller personer som ikke er kjent med disse instruksjonene, bruke maskinen. Lokale forskrifter kan begrense operatørens alder.
- c. Operatøren, eller brukeren, skal holdes ansvarlig for ulykker eller farer som involverer tredjeparter eller tredjepartsutstyr.

Forberedelse

- a. Forsikre deg om at det automatiske systemet for kantinnkjøring er riktig installert som angitt.
- b. Undersøk med jevne mellomrom området der maskinen brukes, og fjern steiner, pinner, ledninger og andre fremmedlegemer som kan hindre bruk.
- c. Utfør en visuell inspeksjon av klippebladene, bladboltene og klippeinnretningen regelmessig for å kontrollere at de ikke er slitte eller skadet. Bytt ut slitte eller ødelagte klippeblad og bolter parvis for å opprettholde maskinens balanse.
- d. Varselsskilt må plasseres rundt maskinens arbeidsområde, hvis den brukes

i offentlige områder eller er åpen for publikum. Skiltene må ha følgende tekst: "Advarsel! Automatisk gressklipper! Hold deg på avstand til maskinen! Hold oppsyn med barn!"

1.1.1. DRIFT

Generell informasjon

- a. Ikke bruk maskinen med defekte vern eller sikkerhetsinnretninger som ikke er tilstede, for eksempel uten vern.
- b. Ikke plasser hender eller føtter i nærheten av eller under de roterende delene. Hold alltid god avstand fra utkasteråpningen.
- c. Ikke ta på maskinens bevegelige deler før de har stoppet helt.
- d. Bruk alltid solide sko og lange bukser når du bruker maskinen.
- e. Løft eller transporter maskinen aldri mens motoren er i gang.
- f. Fjern frakoblingen fra enheten:
 - Før du fjerner et hinder;
 - Før kontroll, rengjøring eller arbeid på maskinen;
 - Hvis den har blitt truffet av et fremmedlegeme, må du kontrollere at maskinen er skadet,
 - Hvis maskinen begynner å vibrere unormalt, kontroller for skade før du starter den på nytt.
- g. La ikke maskinen være i drift uten tilsyn i nærvær av kjæledyr, barn eller andre mennesker i nærheten.

Vedlikehold og oppbevaring

- a. Stram alle muttere, bolter og skruer godt for sikker maskindrift.
- b. Kontroller robotgressklipperen ofte for slitasje eller forringelse.
- c. Av sikkerhetsmessige grunner er det nødvendig å bytte ut slitte eller ødelagte deler.
- d. Forsikre deg om at klippebladene kun byttes ut med egnede reservedeler.
- e. Forsikre deg om at batteriene er ladet

med riktig lader som er anbefalt av produsenten. Feil bruk kan føre til elektrisk støt, overoppheting eller lekkasje av etsende væske fra batteriet.

- f. I tilfelle elektrolyttlekkasjer, vask med vann/nøytraliseringsmiddel og kontakt lege hvis væsken kommer i kontakt med øynene osv.
- g. Vedlikehold av maskinen må utføres i samsvar med produsentens instruksjoner.

Resterende risiko

- Selv om produktet oppfyller alle sikkerhetskrav, kan det fortsatt eksistere ytterligere risikoer på grunn av feil installasjon og/eller uforutsigbare situasjoner. Det er derfor nødvendig at området som produktet opererer på er fritt for gjenstander, mennesker og dyr, og informerer alle personer som kan ha tilgang, selv av og til, til arbeidsområdet om mulige farer.

- Ved tordenvær med fare for lynnedslag og generelt i påvente av dårlige værforhold, anbefales det å ikke bruke produktet og koble fra den perimetrale ledningen ved ladebasen og alt periferutstyr fra strømmettet. For å bruke produktet, koble den perimentrale ledningen og periferutstyret til strømmettet igjen i henhold til instruksjonene i håndboken.

1.2. PRODUKTBEKRIVELSE

Robotgressklipperen er designet for å klippe gresset i områdene i hagen avgrenset av kantledningen. Driftsprinsippet er basert på tilfeldig navigasjon. Robotgressklipperen endrer vei når den oppdager kantledningen eller et hinder.

Enhver annen bruk kan være farlig og forårsake skader på personer og/eller gjenstander. Følgende faller under feil bruk (som et eksempel, men ikke begrenset til): å transportere mennesker, barn eller dyr på maskinen; transportere maskinen med bil; bruke maskinen til å trekke eller skyve last; bruke maskinen til klipping av vegetasjon som ikke er gress.

TYPE plattformen: SRBW01 er utstyrt med en 3G/4G-modul med SIM-kort og en GNSS-modul, som muliggjør fjernstyring av robotgressklipperen og hjelpefunksjonene for navigasjon.

1.3. SYMBOLER OG SKILT



ADVARSEL:

Les brukerveiledningen før du begynner å bruke produktet.



ADVARSEL:

Fare for projeksjoner av gjenstander mot kroppen.

Hold sikker avstand til maskinen under bruk.



ADVARSEL:

Før aldri hender eller føtter inn i klippeinnretningens kasse.

Fjern utkoblingsenheten før du arbeider på maskinen eller før du løfter den.



ADVARSEL:

Før aldri hender eller føtter inn i klippeinnretningens kasse.

Ikke klatre opp på maskinen.



FORBUD:

Forsikre deg om at det ikke er mennesker (spesielt barn, eldre eller funksjonshemmede) og kjæledyr i arbeidsområdet mens maskinen er i drift. Hold barn, kjæledyr og andre mennesker på trygg avstand når maskinen er i drift.

FORBUD:

Ikke bruk høytrykksspyler på maskinen til å rengjøre eller vaske den.



Enhet med isolasjonsklasse III, drevet av batteri (robotgressklipper) eller via spesiell strømforsyning (ladebase og referanstasjon).



Bruk den originale strømforsyningen med egenskapene angitt på typeskiltet.



Symbol for likestrømforsyning.

IPXX

Grad av beskyttelse mot inntrengning av faste kropper og vann.



Avfall fra elektrisk og elektronisk utstyr skal gis til egnede anlegg for resirkulering og deponering.



Garantert lydeffektivité

1.4. STANS OG AVSKRUING AV ROBOTGRESSKLIPPEREN UNDER SIKRE FORHOLD



PÅBUD:

Slå alltid av robotgressklipperen under sikre forhold før rengjøring, transport eller vedlikehold.

1. Trykk på "STOP" knappen (Fig. 1.A) for å stoppe robotgressklipperen trygt og åpne beskyttelsesdekslet (Fig. 1.B).
2. Trykk på avskruingsknappen (Fig. 1.E) i noen sekunder og vent til LED-en på samme knapp slås av.
3. Først etter at LED-en er slukket (Fig. 1.E), ta ut sikkerhetsnøkkelen (Fig. 1.D) for å slå av robotgressklipperen på en trygg måte.
4. Robotgressklipperen er stanset eller slått under sikre forhold.

2. MONTERING



ADVARSEL:

Ikke tukle med, fjerne, unngå eller omgå de monterte sikkerhetsanordningene.

MERK: For mer informasjon om installasjon av produktet, kontakt en STIGA-forhandler.

KOMPONENTER FOR INSTALLASJON (Fig. 2)

(A) Ladebase, (B) Mater, (C) Kantledning, (D) Festeskrue kantledning, (E) Festeskrue kantledning, (F) Ledd for kantledning, (G) Kontakter for ladebase.

2.1. KONTROLL AV INSTALLASJONSKRAV

2.1.1. KONTROLL AV HAGEN:

- Kontroller hagenes tilstand slik som det står oppført i Kap. 1.
- Nivellet bakken slik at det ikke dannes pytter som følge av regn.

2.1.2. KONTROLLERINSTALLASJONENAVLADEBASEN OG MATEREN:



EL-FARE:

Det er nødvendig å klargjøre en stikkontakt som er i samsvar med gjeldende lover i landet.



EL-FARE:

Den medfølgende kretsen må beskyttes av en differensialbryter (RCD) med en aktiveringsstrøm som ikke overstiger 30 mA.



EL-FARE:

Ikke koble strømforsyningen til et strømuttak hvis støpselet eller ledningen er skadet. Ikke koble til og ikke ta på en skadet ledning før den kobles fra strømforsyningen. En ødelagt ledning kan skape kontakt med spenningsatte deler.

1. Forbered et flatt område på kanten av plenen for å plassere ladebasen
2. Forsikre deg om at avstanden til basen fra eventuelle svinger er minst 200 cm.



ADVARSEL:

Strømkabelen, strømforsyningsenheten, skjøteledningen og enhver annen elektrisk kabel som ikke tilhører produktet, må forbli utenfor klippeområdet for å holde dem unna farlige bevegelige deler og for å unngå skade på kablene som kan bringe dem i kontakt med deler under spenning.

3. Gjør klart installasjonsområdet for materen slik at den ikke kan senkes ned i vann under alle slags værforhold. Installer helst i et lukket rom beskyttet mot atmosfæriske stoffer, i en posisjon som ikke lett kan nås av uvedkommende.

2.1.3. HOVEDKONTROLLER FOR INSTALLASJON AV KANTLEDNINGEN:

1. Kontroller at den maksimale hellingen på arbeidsområdet er mindre enn eller lik 45 % eller 50 %, avhengig av modellen (se avsn. 7 TEKNISKE data), og følg reglene gjengitt i Fig. 3.



ADVARSEL:

Roboten kan klippe overflater med en maksimal helling på 45 % eller 50 %, avhengig av modellen. Hvis instruksjonene ikke følges, kan roboten gli og forlate arbeidsområdet



ADVARSEL:

Områder med hellinger som er større enn tillatte hellinger kan ikke klippes. Plasser derfor kantledningen foran skråningen slik at dette området ekskluderes fra klippingen.

2. Kontroller hele arbeidsflaten: evaluér hindringene og områdene som skal utelukkes fra arbeidsområdet, som må avgrenses med kantledningen.

2.2. KRITERIER FOR INSTALLASJON AV KANTLEDNINGEN

Følgende er kriteriene for installasjon av kantledningen. For mer detaljert informasjon, se den komplette brukerhåndboken.

STRUKTURELT ELEMENT	MINSTE AVSTAND	
	MINSTE AVSTAND FOR MONTERING I FORHOLD TIL LEDNINGEN VED DET STRUKTURELLE ELEMENTET	
TYPE	SRSW01	SRBW01
Brolegging eller oppkjørsel på samme nivå som plenen	5 cm	5 cm
Grøft, vegg eller mur	35 cm	45 cm
Hekk eller plante med utstikkende røtter	30 cm	40 cm

Svømmebasseng, dam med utløp, offentlig vei uten gjerde	90 cm	100 cm
Svømmebasseng eller vei i bunnen av en bakke	150 cm	150 cm

TYPER HINDERBEGRENSNINGER		
X PASSASJE MELLOM TO ULIKE DELER VED KANTLEDNINGEN		
TYPE		
SRSW01	SRBW01	
X _≥ 70 cm (Fig. 4)	X _≥ 90 cm (Fig. 4)	Hindringen kan avgrenses ved å overlape seksjonene av ledningen utover og tilbake uten å krysse dem.
X < 70 cm (Fig. 5)	X < 90 cm (Fig. 5)	Hindringen kan avgrenses ved å holde de to tur- og returdelene av ledningen på avstand med minst Y = 30 cm. Hvis hindringen er tilstrekkelig sterk, kan den stå uten beskyttelse.

PASSASJE MELLOM ULIKE OMRÅDER I HAGEN		
BREDDE Z KORRIDOR		
TYPE		
SRSW01	SRBW01	
Z _≥ 70 cm (Fig. 6)	Z _≥ 90 cm (Fig. 6)	Området (Fig. 6.A) kan nås med robotgressklipperen.
Z < 70 cm (Fig. 6)	Z < 90 cm (Fig. 6)	Området (Fig. 6.A) den kan ikke nås av robotgressklipperen og skal betraktes som "Lukket område".



VARSEL:
Driftsområdet og generelt områdene der robotgressklipperen må avgrenses av et overkommelig gjerde. Gjør gjerdet egnet eller hold oppsyn med robotgressklipperen mens den er i bruk.

2.3. INSTALLASJON AV KOMPONENTENE



EL-FARE:
Bruk kun batteriladeren og materen som er levert av produsenten. Uegnet bruk kan forårsake elektriske støt og/eller overoppheting.



VARSEL:
Kuttfare for hendene. Bruk vernehansker slik at du ikke risikerer å kutte hendene.



VARSEL:
Fare for støv i øynene. Bruk vernebriller for å unngå fare for støv i øynene.



EL-FARE:
Koble til strømforsyningen kun når alle installasjoner er fullført. Slå eventuelt av den generelle strømforsyningen under installasjonen.

2.3.1. INSTALLASJON AV KANTLEDNINGEN

PLASSERING MED PLUGGER

1. Plasser kantledningen ved å starte fra ladebasens installasjonsområde.
2. Plasser ledningen langs hele banen, og fest den med passende plugg (fig. 7.B) med en avstand ca 100 cm, og respekter installasjonskravene som er angitt (Se Avsn. 2.2).
3. La det være 2 m kabel i overflod for deretter å kutte den i størrelse i sluttfasen av tilkoblingen.
4. Plasser kabelen i svinger, slik at bøyeradiusen er ca. 20 cm (Fig. 7.A).

TOTAL LENGDE PÅ DEN PERIMETRALE LEDNINGEN	STIGA-KABLER SOM ER KOMPATIBLE MED INSTALLASJONEN	
< 400m	Kode 1127-0000-01	Spole 150 m. Ø 2,7 mm
	Kode 1127-0001-01	Spole 300 m. Ø 2,7 mm
	Kode 1127-0002-01	Spole 500 m. Ø 3,4 mm
	Kode 1127-0003-01	Spole 1000 m. Ø 3,4 mm
≥ 400m opptil maks 1000m	Kode 1127-0002-01	Spole 500 m. Ø 3,4 mm
	Kode 1127-0003-01	Spole 1000 m. Ø 3,4 mm



ADVARSEL:
Forsikre deg om at ledningen er i kontakt med bakken hele veien for å forhindre at robotgressklipperen skader den.

MERK: Kantledningen som brukes til installasjon, må ha en lengde på minst 40 m. Dersom lengden på ledningen er kortere, er det nødvendig å installere resistoren kode. 122063053/0. Se den fullstendige instruksjonshåndboken.

2.3.2. INSTALLASJON AV LADEBASE

Installer ladebasen i akse med kantledningen, slik at roboten kan få tilgang til den ved å følge kantledningen i retning med klokken.

1. Kontroller installasjonskravene som angitt i avsn. 2.2.
2. Du må forberede bakken om nødvendig, slik at overflaten på ladebasen er på samme nivå som plenen. Bakken må være helt flat og kompakt for å unngå deformasjon av overflaten på ladebunnen.
3. Ta av lokket (Fig. 8.C).
4. Plasser ladebasen på linje med kantledningen (Fig. 8.D2) slik at roboten kan få tilgang til den ved å følge kantledningen i retning med klokken.

- Sett de to endene av ledningen inn i passende passasjer (Fig. 8.E2).
- Klipp endene på ledningene til nøyaktig størrelse.
- Bruk de selvboende kontaktene på ledningene (Fig. 9.F), (Fig. 9.G), (Fig. 9.H).
- Koble kontaktene til terminalene (Fig. 8.I).
- Fest ladebasen (Fig. 10.L) til bakken med festeskruene (Fig. 10.M).
- Sett lokket på plass igjen (Fig. 10.C).
- Koble strømforsyningen til ladebasen og skru på kontakten.
- Koble materens støpsel til strømuttaket.
- Kontroller at når robotgressklipperen ikke er i ladebasen, lyset på ladebasen (Fig. 10.N) lyser med jevnt lys (se Kap. 3.3).

2.4. LADING AV ROBOTGRESSKLIPPER ETTER INSTALLASJON

Batteriene skal forbli tilkoblet i minst 2 timer første gang de lades.

2.5. PRODUKTINNSTILLINGER

Den automatiske driften av robotgressklipperen krever en rekke innstillinger som kan gjøres via en mobil (smarttelefon) iOS eller Android med "STIGA GO" -appen installert.

MERK: For en mer detaljert beskrivelse av de tilgjengelige funksjonene, se den fullstendige instruksjonshåndboken.

3. DRIFT

3.1. MANUELL DRIFT AV ROBOTGRESSKLIPPEREN

Robotgressklipperen kan brukes uten å utføre programmeringen beskrevet (Se avsn. 2.5). I denne modusen utfører robotgressklipperen en arbeidssyklus, går tilbake til ladebasen og blir der til neste manuelle start.

- Plasser robotgressklipperen på ladebasen eller i alle fall innenfor omkretsen av installasjonen.
- Trykk på "STOP" knappen (Fig. 1.A) for å åpne dekselet (Fig. 1.B) og gå inn på kommandokonsollet (Fig. 1.C).
- Trykk på "ON/OFF" knappen (Fig. 1.E) i 5 sekunder for å skru på robotgressklipperen.
- Trykk på knappen "VALG AV MODUS" (Fig. 1.F), helt til kun et ikon blinker (Fig. 1.L).
- Trykk på "BEKREFT" knappen (Fig. 1.G). Ikonet (Fig. 1.L) lyser fast for å bekrefte operasjonen.
- Lukk dekselet (Fig. 1.B). Robotgressklipperen starter arbeidet.

MERK: denne modusen garanterer kanskje ikke tilstrekkelig dekning av hagen, både når det gjelder tid og med hensyn til jevnt klipperesultat, spesielt hvis hagen har en uregelmessig form. For å oppnå maksimal effektivitet for robotgressklipperen, anbefales det å utføre programmering (se avsn. 2.5).

3.2. BESKRIVELSE AV KOMMANDOENE SOM FINNES PÅ ROBOTGRESSKLIPPEREN

Liste over kommandoer, indikatorer og deres funksjon:

- "STOP" knapp (Fig. 1.A): den brukes til sikkerhetsstopp for robotgressklipperen.
- "SIKKERHETSNOKKEL" (Fig. 1.D): brukes til sikkerhetsstenging av robotgressklipperen.
- "ON/OFF" knapp (Fig. 1.E): brukes til å slå robotgressklipperen av og på og til å tilbakestille alarmene.
- "VELG MODUS" knapp (Fig. 1.F): den brukes til å velge driftsmodus for robotgressklipperen og for å tvinge den tilbake til ladebasen.
- "BEKREFT" knapp (Fig. 1.G): brukes til å bekrefte innstilt driftsmodus.
- Lysende ikon "PROGRAMMERT KLIPPING" (Fig. 1.I): brukes til å vise innstillingen for det planlagte programmet.
- Lysende ikon "ENKEL ARBEIDSSYKLUS" (Fig. 1.L): brukes til visning av hvert enkelte arbeidssyklus.
- Lysende ikon "RETUR TIL BASE" (Fig. 1.H): brukes til å vise innstillingen for tvungen retur til robotgressklipperens ladebase.
- "BLUETOOTH" knapp (Fig. 1.M): skal kun brukes av servicesenteret for diagnostisering.
- Lysende "ALARM" ikon (Fig. 1.N): brukes til visning av alarmtilstander.
- Lysende "BATTERI" ikon (Fig. 1.O): brukes til å vise batteriladingen.

MERK: For en mer detaljert beskrivelse av kommandoene som er oppført ovenfor, se den komplette instruksjonshåndboken.

3.3. DRIFT AV LADEBASE

Ladebasen er utstyrt med en varselampe (Fig. 10.N) som lyser opp som følger:

- Lys av: ladebasen ikke får strøm, eller roboten er i.
- Fast lys: kantledningen er riktig koblet til ladebasen, og omkretssignalet blir overført på riktig.
- Sakte blinkende lys: kantledningen er ikke koblet til eller er.
- Raskt blinkende lys: kantledningen er for kort, eller det er feil på ladebasen.

3.4. LADING AV BATTERIET

Prosedyren "LADING AV BATTERI" gjør det mulig å lade robotgressklipperen manuelt.

- Plasser robotgressklipperen på ladebasen (Fig. 11.R).
- Skyv robotgressklipperen på ladebasen helt til ladekontakten kobles til (Fig. 11.S).
- Trykk på "STOP" knappen (Fig. 11.A) for å åpne dekselet (Fig. 11.B) og gå inn på kommandokonsollet (Fig. 11.C).
- Skru på robotgressklipperen ved å bruke "ON/OFF" knappen (Fig. 11.E).
- Det lysende "BATTERI" ikonet (Fig. 11.L) blinker, robotgressklipperen lades.
- Lukk dekselet (Fig. 11.B).
- La robotgressklipperen lade i minst den tiden som står oppført i avsn. 2.4.

MERK: Lading av batteriet for vinteroppbevaring må utføres som angitt i avsn. 4.3.

3.5. REGULERING AV KLIPPEHØYDEN

PLATTFORMTYPE SRSW01 – MANUELL REGULERING

1. Stans robotgressklipperen på en trygg måte (Se avsn. 1.4).
2. Bruk høydejusteringen (Fig. 12.P) til å velge ønsket klippehøyde slik at det klippede gresset ikke er lengre enn 10 mm.

MERK: Gresslengden klippet av robotgressklipperen må ikke overstige 10 mm.

TYPESRBW01 PLATTFORM – ELEKTRISK REGULERING

For å justere klippehøyden, følg den veiledede prosedyren i APPEN.

Systemet for justering av blad høyde krever en innledende kalibrering og periodiske kalibreringer som utføres automatisk. Kalibrering kan også utføres manuelt i den egne menyen i Apps.



VARSEL:
Ikke berør klippeinnretningen mens du justerer klippehøyden.

MERK: Gresslengden klippet av robotgressklipperen må ikke overstige 10 mm.

4. VEDLIKEHOLD



VARSEL:
Bruk kun originale reservedeler.



VARSEL:
Ikke tukle med, fjerne, unngå eller omgå de monterte sikkerhetsanordningene.



VARSEL:
Kuttefare for hendene.
Bruk vernehansker slik at du ikke risikerer å kutte hendene.



VARSEL:
Fare for støv i øynene.
Bruk vernebriller for å unngå fare for støv i øynene.



ADVARSEL:
Hvis du bruker for mye vann kan dette føre til infiltrasjon som kan skade de elektriske komponentene.



FORBUD:
Ikke bruk vannstråler under trykk.



FORBUD:
For ikke å skade de elektriske og elektroniske komponentene på ugjenkallelig vis, må ikke roboten legges i vann, verken delvis eller fullstendig.



FORBUD:
Ikke vask de innvendige delene på roboten for ikke å skade de elektriske og elektroniske komponentene.



FORBUD:
Bruk ikke løsemiddel eller bensin da dette kan skade de lakkerte overflatene og plastdelene.

4.1. PLANLAGT VEDLIKEHOLD

Sørg for å rengjøre produktet regelmessig og bytte ut slitte deler for bedre bruk og lengre levetid.

Utfør inngrepene med den hyppigheten som er angitt i tabellen.

HYPPIGHET	KOMPONENT	TYPE INNGREP
Ukentlig	Klippeblad	Rengjør kniven og kontroller om den er godt slipt. (Se avsn. 4.2) Hvis klippebladet er bøyd på grunn av støt eller dersom deterslitt, skal det skiftes ut. (Se avsn. 4.2)
	Ladekontakter	Rengjør og fjern eventuelle oksideringer. (Se den komplette instruksjonshåndboken)
Månedlig	Robotgressklipper	Foreta rengjøringen. (Se den komplette instruksjonshåndboken)
	Ladebase og matekabler	Sjekk for slitasje eller forringelse, og bytt dem ut om nødvendig. (Se den komplette instruksjonshåndboken)
På slutten av klippesongen eller hversjette måned hvis robotgressklipperen ikke brukes	Batteri	Utfør ladingen for før-oppbevaring av batteriet. (Se avsn. 4.3)
Årlig eller ved endt klippesong	Robotgressklipper	Årlig service skal utføres hos et autorisert servicesenter. (Se avsn. 4.1)

Det er nødvendig å utføre årlig service på et autorisert servicesenter for å holde robotgressklipperen i god stand.

MERK: eventuelle feil på grunn av manglende gjennomføring av årlig service blir ikke dekket av garantien.

4.2. BYTTE AV KLIPPEINNRETNINGENE

1. Stans robotgressklipperen på en trygg måte (Se avsn. 1.4).
2. Snu robotgressklipperen opp-ned, og pass på å ikke skade det overliggende dekslet.
3. Skru ut festeskruene (Fig. 14.E).
4. Skift ut klippebladene (Fig. 14.D).
5. Skru fast festeskruene (Fig. 14.E).

4.3. VEDLIKEHOLD OM VINTEREN AV BATTERIET OG OPPBEVARING

1. Lad batteriet i henhold til veiviseren i appen, tilgjengelig fra "Innstillinger" -siden.
2. Rengjør robotgressklipperen (Se den komplette instruksjonshåndboken).
3. Oppbevar robotgressklipperen på et tørt sted der den ikke kan fryse, mens du forsikrer deg om at den er avskrudd.

MERK: For mer detaljert informasjon om vinterladeprosedyren, se den komplette instruksjonshåndboken.

MERK: Registeringen av ladingen ved bruk av prosedyren i appen er nødvendig for at garantien skal være gyldig.

4.4. UTSKIFTNING AV BATTERI

Utskiftning av batteriet skal kun utføres av PERSONELL FRA STIGAS TEKNISKE ASSISTANSE TJENESTE.

Hvis du trenger å bytte batteri, kontakt et servicesenter eller forhandleren.

5. TRANSPORT, OPPBEVARING OG KASSERING

5.1. TRANSPORT

MERK: Vi anbefaler å bruke originalemballasjen for transport over lange avstander.

1. Stans robotgressklipperen på en trygg måte (Se avsn. 1.4).
2. Rengjør robotgressklipperen (Se den komplette instruksjonshåndboken)
3. Løft robotgressklipperen etter håndtaket (Fig. 15.D) og bær den, og pass på å holde klippebladet på avstand fra kroppen.

5.2. OPPBEVARING

Robotgressklipperen må oppbevares liggende, på et tørt og frostfritt sted etter at du har rengjort og ladet batteriet om vinteren (se Kap. 4). Koble ladebasen fra strømmettet under lange perioder med inaktivitet.

6. PROBLEMLØSNING



VARSEL:

Stans robotgressklipperen og sett den på plass på en trygg måte (Se avsn. 1.4).

Nedenfor finnes en liste over eventuelle avvik som kan oppstå i løpet av arbeidsfasen.

PROBLEM	ÅRSAKER	LØSNINGER
Unormale vibrasjoner. Robotgressklipperen bråker.	Skive eller klippeblad er ødelagt	Skift ut ødelagte komponenter (Se avsn. 4.2).
	Klippeinnretningen er tilstoppet av rester (bånd, tau, plastdeler, etc.).	Stans robotgressklipperen på en trygg måte (Se avsn. 1.4). Løs ut klippebladet.
	Robotgressklipperen har blitt startet med tilstedeværelse av uforutsette hindringer (greiner som har falt ned, gjenglemte gjenstander etc.).	Stans robotgressklipperen på en trygg måte (Se avsn. 1.4). Fjern hindringene og start roboten på nytt.
	Feil på elektromotoren. For høyt gress.	Skift ut motor, kontakt nærmeste autoriserte servicesenter. Øk klippehøyden (Se avsn. 3.5). Foreta en forhåndsklipp av området med en vanlig gressklipper.
Robotgressklipperen plasserer seg ikke korrekt inne i ladebasen.	Feil plassering av kantledningen	Kontroller tilkoblingen til ladebasen (Se avsn. 2.3.2).
	Grunnen gir etter i nærheten av ladebasen.	Gjenoppsett riktig plassering av ladebasen. (Se avsn. 2.3.2).
Robotgressklipperen oppfører seg unormalt rundt omkretshindringer.	Kantledningen har blitt lagt på feil måte.	Plasser kantledningen på riktig måte (i renting med klokken) (Se avsn. 2.3.1).
Varsellyset på ladebasen lyser ikke når roboten er ute av ladebasen.	Det er ingen strømforsyning eller det er en feil ved ladebasen.	Kontroller at strømforsyningsenheten er riktig tilkoblet strømnettaket. Kontroller helheten ved tilkoblingsledningen på materen.
Varsellyset på ladebasen tennes med sakte blinking	Kantledningen er ikke koblet til eller er brutt	Kontroller installasjonen og reparer bruddet (Se avsn. 2.3)
Varsellyset på ladebasen tennes med rask blinking	kantledningen er for kort, eller det er feil på ladebasen.	Kontroller at lengden på kantledningen er større enn det som står indikert i Avsn. 2.2.3. Ta kontakt med et servicesenter dersom problemet vedvarer.
På tastaturet er Warning-varselet tent	Varsler forhold av feil/skade.	Se appen for mer informasjon eller se den komplette instruksjonshåndboken.

5.3. KASSERING



VARSEL:

Kontakt et autorisert servicesenter for å fjerne batteriet fra robotgressklipperen.

1. Kasser emballasjen på en bærekraftig måte i passende oppsamlingsbeholdere eller lever inn til egne miljøstasjoner som er autorisert for innsamling.
2. Kasser robotgressklipperen i samsvar med lokale forskrifter.
3. Kontakt aktuelle anlegg for resirkulering og kassering, da robotgressklipperen er klassifisert som WEEE (Waste of Electrical and Electronic Equipment).
4. Kasser gamle eller utslitte batterier på en bærekraftig måte i passende oppsamlingsbeholdere eller lever inn til egne miljøstasjoner som er autorisert for innsamling.

7. TEKNISKE DATA

SPESIFIKASJONER	TYPE: SRSW01 (se produktetikett)	TYPE: SRBW01 (se produktetikett)
Dimensjoner (BxHxD)	413 x 252 x 560 [mm]	529 x 299 x 695 [mm]
Robotgressklipperens vekt	Avhengig av modell: 7,9 [kg] - 8,2 [kg] (*) (Usikkerhet +/-0,1 [kg])	Avhengig av modell: 12,8 [kg] - 13,5 [kg] (*) (Usikkerhet +/-0,1 [kg])
Klippehøyde (Min-Maks)	20-60 [mm]	20-65 [mm]
Bladdiameter	180 [mm]	260 [mm]
Kuttehastighet	2850+/-50 [rpm]	2400+/-50 [rpm]
Fremdriftshastighet	22 [m/min]	Avhengig av modell: 24 [m/min]; 28 [m/min] (*)
Maksimal helling	45 %	50 %
Maksimal helling langs omkretsen		20 %
Type klippesystem	4 svingbare klippeblader	6 svingbare klippeblader
Artikkelnummer for klippeinnretning	322104105/0	
Påvist lydeffektnivå	57 [dB] (A)	56 [dB] (A)
Usikkerhet om støyutslipp, KWA	1,47 [dB] (A)	0,56 [dB] (A)
Garantert lydeffektnivå	59 [dB] (A)	57 [dB] (A)
Lydtrykknivå ved operatørens øre	46,3 [dB] (A)	45,2 [dB] (A)
Robotgressklipper IP-klassifisering	IPX5	
IP-klassifisering av ladebasen	IPX1	
Mater IP-klassifisering	IP67	
Omgivelsestemperatur for robotgressklipper [° C]	0 ÷ 50	
Omgivelsestemperatur for ladebase [° C]	-10 ÷ 50	
Omgivelsestemperatur for materdrift [° C]	-10 ÷ 50	
Arbeidskapasitet	Avhengig av modell (*)	
Strømforsyning	Input: 100-240 VAC, 1,2 A; utgang: 30 Vcc, 2 A Bruk en av de originale kodene nedenfor eller påfølgende oppdateringer (kontakt en autorisert STIGA-forhandler) 118204158/0 (EU) 118204161/0 (UK) 118204163/0 (CH)	Input: 200-240 VAC, 0,8 A; utgang: 30 Vcc, 4 A Bruk en av de originale kodene nedenfor eller påfølgende oppdateringer (kontakt en autorisert STIGA-forhandler) 118204159/0 (EU) 118204162/0 (UK) 118204164/0 (CH)
30 Vcc skjoteledninger tillatt	Bruk en av de originale kodene nedenfor eller påfølgende oppdateringer (kontakt en autorisert STIGA-forhandler) Kode: 1127-0010-01, Lengde 5 m Kode: 1127-0020-01, Lengde 15 m	
Batterimodell	Avhengig av modell: 25,2V - 2Ah; 25,2V - 2,5Ah; 25,2V - 5Ah; 25,2V - 6Ah (*)	Avhengig av modell: 25,2V - 5Ah; 25,2V - 6Ah; 25,2V - 2x5Ah; 25,2V - 2x6Ah (*)
Ladetid	Avhengig av modell: 60 [min]; 80 [min]; 150 [min] (*)	Avhengig av modell: 150 [min]; 180 [min] (*)
Arbeidsøkt	Avhengig av modell: 60 [min]; 90 [min]; 150 [min] (*)	270 [min]
Tilkobling	Bluetooth®	Bluetooth®, 4G, 3G, GSM
Navigasjonsteknologi		GNSS

(*) du finner mer informasjon om den spesifikke modellen i den komplette håndboken som er tilgjengelig på nettet (se QR-kode på første side i denne håndboken).

Hela bruksanvisningen finns tillgänglig på:

- ▷ på webbplatsen stiga.com
- ▷ i appen **STIGA GO**, som är tillgänglig på App Store och Google Play
- ▷ genom att skanna QR-koden



ANMÄRKNING: Anvisningarna i den här handboken gäller alla kabelstyrda robotgräsklippare. Om inget annat anges avser illustrationerna SRSW01-plattformen.

OBS: Denna handbok innehåller grundläggande instruktioner, främst relaterade till säkerhet. För korrekt installation måste den kompletta bruksanvisningen (se ovan) läsas och följas noggrant.

är öppna för allmänheten. Signalerna ska ha följande text: "Varning! Automatisk gräsklippare! Håll dig på avstånd från maskinen! Övervaka barn!"

1.1.1. FUNKTIONSSÄTT

Allmän information

- a. Använd inte maskinen med trasiga skydd eller om säkerhetsanordningar inte är installerade, till exempel utan skydd.
- b. Lägg inte händer eller fötter nära eller under de roterande delarna. Håll dig alltid borta från tömningsöppningen.
- c. Rör inte vid maskinens rörliga delar innan de har stannat helt.
- d. Använd alltid robusta skor och långbyxor när du använder maskinen.
- e. Lyft eller transportera inte gräsklipparen när motorn är igång.
- f. Ta bort inaktiveringsenheten från enheten:
 - Innan du tar bort ett hinder
 - Innan du kontrollerar, rengör eller utför arbeten på maskinen
 - Om maskinen träffas av ett främmande föremål, kontrollera om maskinen är skadad
 - Om maskinen börjar vibrera onormalt, kontrollera om den är skadad innan du startar om den.
- g. Låt inte maskinen vara på utan uppsikt i närvaro av husdjur, barn eller andra personer i närheten.

Underhåll och förvaring

- a. Dra åt alla muttrar, bultar och skruvar ordentligt för säker maskinanvändning.
- b. Kontrollera robotgräsklipparen ofta med avseende på slitage eller försämring.
- c. Av säkerhetsskäl är det nödvändigt att byta ut slitna eller skadade delar.
- d. Se till att knivarna endast byts ut med lämpliga reservdelar.
- e. Se till att batterierna laddas med rätt laddare som rekommenderas av tillver-

1. SÄKERHET

SKYLDIGHET:

Läs noga före användning och spara för framtida konsultation.

1.1. SÄKRA DRIFTMETODER

Utbildning

- a. Läs instruktionerna noggrant, lär känna kommandona och maskinens korrekta användning.
- b. Låt aldrig barn, personer med nedsatt fysisk, sensorisk eller mental förmåga, eller utan erfarenhet och kännedom, eller personer som inte känner till dessa instruktioner använda maskinen. Lokala regler kan begränsa operatörens ålder.
- c. Operatören eller användaren ska hållas ansvarig för olyckor eller faror som berör tredje part eller tredje parts utrustning.

Förberedelse

- a. Se till att det automatiska avgränsningsstaketet är korrekt installerat enligt anvisningarna.
- b. Kontrollera regelbundet området där maskinen används och ta bort stenar, pinnar, kablar och andra främmande föremål som kan hindra användningen.
- c. Utför regelbundet en visuell inspektion av knivarna, knivbultarna och klippagregatet för att kontrollera att de inte är slitna eller skadade. Byt ut slitna eller skadade knivar och bultar parvis för att bibehålla maskinens balans.
- d. Varningsskyltar måste placeras runt maskinens arbetsområde, om den används i allmänna utrymmen eller i utrymmen som

- karen. En felaktig användning kan leda till elektriska stötar, överhettning eller läckage av frätande vätska från batteriet.
- f. Vid elektrolytläckage, tvätta med vatten/neutraliseringsmedel och kontakta läkare vid kontakt med ögonen etc.
- g. Maskinunderhåll måste utföras i enlighet med tillverkarens instruktioner.

Kvarstående risker

- Även om produkten uppfyller alla säkerhetskrav kan det finnas ytterligare risker på grund av felaktig installation och/eller oförutsägbara situationer.

Det är därför nödvändigt att hålla det område där produkten används fritt från föremål, människor och djur. Informera alla personer som kan ha tillträde, även tillfälligt, till arbetsområdet om de möjliga farorna.

- Vid åskväder med risk för blixtnedslag och vid risk för dåliga väderförhållanden rekommenderar vi att du inte använder produkten och att du kopplar bort begränsningskabeln från laddningsbasen och all kringutrustning från strömförsörjningen. För att använda produkten, återanslut begränsningskabeln och kringutrustningen till elnätet enligt instruktionerna i handboken.

1.2. PRODUKTBESKRIVNING

Robotgräsklipparen är utformad för att klippa gräs i de områden av trädgården som avgränsas av avgränsningskabeln. Funktionsprincipen baseras på en slumpmässig navigation. Robotgräsklipparen byter riktning när den upptäcker avgränsningskabeln eller ett hinder.

Vilken som helst annan användning anses som farlig och orsakar kroppsskador och/eller materialskador. Följande är felaktig användning (som exempel men inte begränsat till): att transportera människor, barn eller djur på maskinen; att åka med på gräsklipparen; att använda gräsklipparen för att dra eller skjuta på laster; att använda maskinen för att skära vegetation som inte är gräsbevuxen.

Plattformen TYPE: SRBW01 är utrustad med en 3G/4G-modul med SIM-kort och en GNSS-modul för fjärrstyrning av robotgräsklipparen och navigeringsassistansfunktioner.

1.3. SYMBOLER OCH SKYLTTAR



VARNING:

Läs användarens instruktioner innan du börjar använda produkten.



VARNING:

Risk för utflygande föremål mot kroppen. Håll säkerhetsavstånd till maskinen under driften.



VARNING:

För aldrig in händer eller fötter i utrymmet där klippaggregatet sitter.

Ta bort inaktiveringsanordningen innan du arbetar på maskinen eller innan du lyfter den.



VARNING:

För aldrig in händer eller fötter i utrymmet där klippaggregatet sitter.

Sätt dig inte på maskinen.



FÖRBUD:

Se till att det inte finns några personer (särskilt barn, äldre eller funktionshindrade) och husdjur i arbetsområdet medan maskinen är i drift.

Håll barn, husdjur och övriga personer på ett säkert avstånd när maskinen är igång.



FÖRBUD:

Använd inte högtryckstvättar på maskinen för att rengöra eller tvätta den.



Apparat med isolationsklass III, drivs med batteri (robotgräsklippare) eller via särskild strömförsörjningsenhet (laddningsbas och referensstation).



Använd originalt nätaggregat med de specifikationer som står på märkskylten.



Symbol för likströmförsörjning.

IPXX

Skyddsklass mot inträngning av fasta ämnen och vatten.



Avfall från elektrisk och elektronisk utrustning, som ska levereras till lämpliga anläggningar för återvinning och bortskaftande.



Ljudeffektnivå som garanteras

1.4. STOPPA OCH STÄNGA AV ROBOTGRÄSKLIPPAREN PÅ ETT SÄKERT SÄTT



SKYLDIGHET:

Stäng alltid av robotgräsklipparen under säkra förhållanden före rengöring, transport eller underhåll.

- Tryck på "STOPP"-knappen (fig. 1.A) för att stoppa robotgräsklipparen i säkra förhållanden och öppna skyddskåpan (fig. 1.B).
- Tryck på avstängningsknappen (fig. 1.E) i några sekunder och vänta tills lysdioden på samma knapp slocknar.
- När lysdioden har slocknat (fig. 1.E) tar du ut säkerhetsnyckeln (fig. 1.D) för att stänga av robotgräsklipparen under säkra förhållanden.
- Robotgräsklipparen stoppas eller stängs av under säkra förhållanden.

2. INSTALLATION



VARNING:

Installerade säkerhetsanordningar får inte ändras, kringgås eller tas bort.

ANMÄRKNING: Kontakta STIGA:s återförsäljare för mer information om produktens installation.

KOMPONENTER FÖR INSTALLATIONEN (fig. 2)

(A) Laddningsbas, (B) Nätaggregat, (C) Avgränsningskabel, (D) Avgränsningskabelfästspikar, (E) Laddningsbasens fästskruvar, (F) Avgränsningskabelfog, (G) Kontaktdon för laddningskabeln.

2.1. KONTROLL AV INSTALLATIONSKRAVEN

2.1.1. KONTROLL AV TRÄDGÅRDEN:

- Kontrollera trädgårdens status enligt anvisningarna i kap. 1.
- Jämn till marken så att inga pölar bildas till följd av regn.

2.1.2. KONTROLLER FÖR INSTALLATION AV LADDNINGSBASEN OCH MATAREN:



ELEKTRISK FARA:

Det är nödvändigt att ha tillgång till ett strömmuttag som uppfyller gällande lagar i användningslandet.



ELEKTRISK FARA:

Apparaten ska skyddas med en differentialbrytare (RCD - Residual Current Device) med brytström på högst 30 mA.



ELEKTRISK FARA:

Anslut inte nätaggregatet till ett strömmuttag om kontaktdonet eller kabeln är skadad. Anslut inte och rör inte vid en skadad kabel innan den har kopplats bort från strömförsörjningen. En skadad kabel kan komma i kontakt med spänningssatta delar.

- Förbered en plan yta vid gräsmattans kant för att placera laddningsbasen
- Se till att basens avstånd till eventuella kurvor är minst 200 cm.



VARNING:

Nätkabeln, nätaggregatet, förlängningskabeln och alla andra elektriska kablar som inte hör till produkten måste förbli utanför klippområdet för att hålla dem borta från farliga rörliga delar och för att undvika skador på kablar som kan leda till kontakt med strömförande delar.

- Förbered installationsområdet för strömförsörjningens-heten så att den under inga väderförhållanden hamnar täckt av vatten. Installeras helst i ett slutet utrymme där den skyddas mot väder och vind, i ett läge som inte är lättillgängligt för obehöriga.

2.1.3. HUVUDKONTROLLER FÖR INSTALLATION AV BEGRÄNSNINGSKABEL:

- Kontrollera att den maximala lutningen av arbetsområdet är mindre än eller lika med 45 % eller 50 %, beroende på modell (se avs. 7 TEKNISKA SPECIFIKATIONER) och följa de regler som visas i Fig. 3.



VARNING:

Robotens maximala lutning på 45 % eller 50% beroende på modellen. Om de här instruktionerna inte iakttas, kan hjulen slira och hamna utanför arbetsområdet



VARNING:

Områden med högre lutningar än de tillåtna värdena får inte klippas. Placera därefter omkretsstråden innan lutningen för att utesluta klippning av den delen av gräsmattan.

- Kontrollera hela arbetsytan: bedöm hinder och områden som ska uteslutas från arbetsområdet, som måste avgränsas med avgränsningskabeln.

2.2. KRITERIER FÖR INSTALLATION AV AVGRÄNSNINGSKABELN


Nedan anges villkoren för installation av avgränsningskabeln. För mer detaljerade uppgifter, se den kompletta instruktionsboken.

MIN. AVSTÅND		
STRUKTURDEL	MIN. AVSTÅND FÖR INSTALLATION AV KABELN MED AVSEENDE PÅ STRUKTURELLT ELEMENT	
TYPE	SRSW01	SRBW01
Plattor eller väg på samma nivå som gräsmattan	5 cm	5 cm
Dike, vägg eller mur	35 cm	45 cm
Buske eller växt med utstående rötter	30 cm	40 cm


Pool, sjö med utlopp, oskyddad allmän väg	90 cm	100 cm
Pool eller väg i slutet av en nedförbacke	150 cm	150 cm

TYPER AV AVGRÄNSNING AV FÖREMÅL		
PASSAGE ÖVER TVÅ OLIKA SEKTIONER AV AVGRÄNSNINGSKABELN		
TYPE		
SRSW01	SRBW01	
X \geq 70 cm (fig. 4)	X \geq 90 cm (fig. 4)	Hindret kan begränsas genom att överlappa sektionerna för tur- och returkabeln utan att korsa dem.
X $<$ 70 cm (fig. 5)	X $<$ 90 cm (fig. 5)	Hindret kan avgränsas genom att de två sektionerna av tur- och returkabeln placeras med minst Y= 30 cm mellanrum. Om hindret är tillräckligt robust kan det lämnas oskyddat.


VÄXLA MELLAN OLIKA DELAR AV TRÄDGÅRDEN		
BREDD KORRIDOR Z		
TYPE		
SRSW01	SRBW01	
Z \geq 70 cm (fig. 6)	Z \geq 90 cm (fig. 6)	Zonen (fig. 6.A) kan nås av robotgräsclipparen.
Z $<$ 70 cm (fig. 6)	Z $<$ 90 cm (fig. 6)	Zonen (fig. 6.A) kan inte nås av robotgräsclipparen och ska anses vara ett "Slutet område".

 **OBS:**
Verksamhetsområdet och i allmänhet de områden inom vilka robotgräsclipparen kan navigera måste avgränsas av ett staket som inte kan överskridas. Gör staketet lämpligt eller övervaka robotgräsclipparen under drift.

2.3. INSTALLATION AV KOMPONENTER

 **ELEKTRISK FARA:**
Använd endast batteriladdaren och mataren som levereras av tillverkaren. Felaktig användning kan orsaka elektriska stötar och/eller överhettning.

 **OBS:**
Fara för skärsår på händerna. Använd skyddshandskar för att undvika fara för skärning av händerna.

 **OBS:**
Fara för att få fint damm i ögonen. Använd skyddsglasögon för att undvika risken att få fint damm i ögonen.



ELEKTRISK FARA:

Anslut strömförsörjningen först när alla installationsprocesser är klara. Stäng av huvudströmmen om så behövs under installationen.

2.3.1. INSTALLATION AV AVGRÄNSNINGSKABELN

POSITIONERING MED SPIKAR

1. Placera avgränsningskabeln med start från laddningsbasens installationsområde.
2. Placera kabeln längs hela banan och säkra den med lämpliga pinnar (fig. 7.B) på ett avstånd av ca 100 cm och respektera de installationskrav som anges (se avs. 2.2).
3. Lämnna 2 m kabel extra för att sedan klippa den till rätt storlek i den sista anslutningsfasen.
4. Placera kabeln i kurvor så att böjningsradien är ca 20 cm (fig. 7.A).

TOTAL LÄNGD PÅ BEGRÄNSNINGSKABELN	STIGA-KABLAR KOMPATIBLA MED INSTALLATIONEN	
< 400m	Kod 1127-0000-01	150 m rulle, Ø 2,7 mm
	Kod 1127-0001-01	300 m rulle, Ø 2,7 mm
	Kod 1127-0002-01	500 m rulle, Ø 3,4 mm
	Kod 1127-0003-01	1 000 m rulle, Ø 3,4 mm
\geq 400m upp till max. 1 000 m	Kod 1127-0002-01	500 m rulle, Ø 3,4 mm
	Kod 1127-0003-01	1 000 m rulle, Ø 3,4 mm



VARNING:

Se till att kabeln är i kontakt med marken hela vägen för att förhindra att robotgräsclipparen skadar den.

ANMÄRKNING: Avgränsningskabeln som används för installationen måste vara minst 40 m lång. Om kabeln är kortare måste ett motstånd installeras kod 122063053/0. Se den kompletta instruktionsboken.

2.3.2. INSTALLATION AV LADDNINGSBASEN

Installera laddningsbasen i axel med avgränsningskabeln så att roboten kan komma åt den genom att navigera medurs på avgränsningskabeln.

1. Kontrollera installationskraven som anges i avs. 2.2.
2. Förbered vid behov marken så att laddningsbasens yta ligger på samma nivå som gräsmattan. Marken måste vara helt plan och kompakt för att undvika deformation av laddningsbasens yta.
3. Ta bort kåpan (fig. 8.C).
4. Placera laddningsbasen i axeln med avgränsningskabeln (fig. 8.D2) så att roboten kan komma åt den genom att navigera medurs på avgränsningskabeln.
5. Sätt in de två kabeländarna i de särskilda passagerna (fig. 8.E2).

3.2. BESKRIVNING AV REGLAGEN SOM FINNS PÅ ROBOTGRÄSKLIPPAREN

Lista över kommandon, indikatorer och deras funktion:

- "STOPP"-knapp (fig. 1.A): används för robotgräsklipparens säkerhetsstopp.
- "SÄKERHETSNYCKELN" (fig. 1.D): används för säkerhetsavstängning av robotgräsklipparen.
- "ON/OFF"-knapp (fig. 1.E): används för att slå på och stänga av robotgräsklipparen och kvittera larmen.
- Knappen "VAL AV LÄGE" (fig. 1.F): används för att välja robotgräsklipparens driftläge och för att forcera en återgång till laddningsbasen.
- Knappen "BEKRÄFTELSE" (fig. 1.G): används för att bekräfta det inställda driftläget.
- Ljusikon "SCHEMALAGT PROGRAM" (fig. 1.I): används för att visa det schemalagda programmets inställning.
- Ljusikonen "ENSTAKAARBETSCYKEL" (fig. 1.L): används för att visa inställningen av enskild arbetscykel.
- Ljusikon "ÅTERGÅNG TILL BASEN" (fig. 1.H): används för att visa inställningen av forcerad återgång till robotgräsklipparens laddningsbas.
- "BLUETOOTH"-knapp (fig. 1.M): används endast av servicecentret för diagnostiska ändamål.
- Ljusikon "LARM" (fig. 1.N): används för att visa larmstatus.
- Ljusikon "BATTERI" (fig. 1.O): används för att visa batteriladdningen.

ANMÄRKNING: För en mer detaljerad beskrivning av reglagensomlistasovan, se den kompletta instruktionsboken.

3.3. ANVÄNDNING AV LADDNINGSBASEN

Laddningsbasen är försedd med en lysindikator (fig. 10.N) som tänds så som anges nedan:

- Kontrolllampan är släckt: laddningsbasen är inte strömsatt eller roboten är i basen.
- Kontrollampa med ett fast sken: avgränsningskabeln är korrekt ansluten till laddningsbasen och omkretssignalen sänds korrekt.
- Långsamt blinkande ljus: avgränsningskabeln är inte ansluten eller är avbruten.
- Kontrollampa med snabbt blinkande ljus: avgränsningskabeln är för kort eller det finns ett fel i laddningsbasen.

3.4. BATTERILADDNING

Med proceduren "BATTERILADDNING" kan du ladda robotgräsklipparen manuellt.

1. Placera robotgräsklipparen på laddningsbasen (fig. 11.R).
2. Skjut robotgräsklipparen på laddningsbasen tills laddningskontakten är inkopplad (fig. 11.S).
3. Tryck på "STOPP"-knappen (fig. 11.A) för att öppna kåpan (fig. 11.B) och använd styrkonsolen (fig. 11.C).
4. Slå på robotgräsklipparen med "ON/OFF"-knappen (fig. 11.E).
5. Lysikonen "BATTERI" (fig. 11.L) blinkar när robotgräsklipparen laddas.
6. Stäng kåpan (fig. 11.B).
7. Låt robotgräsklipparen laddas åtminstone den tid som visas i avs. 2.4.

6. Kapa kablarnas ändrar till exakt storlek.
7. Applicera de självborrande kontakttonen på kabeln (fig. 9.F), (fig. 9.G), (fig. 9.H).
8. Anslut kontakttonen till uttagen (fig. 8.I).
9. Fäst laddningsbasen (fig. 10.L) vid marken med fästskruvarna (fig. 10.M).
10. Sätt tillbaka kåpan (fig. 10.C).
11. Anslut nätaggregatet till laddningsbasen och skruva fast kontakten.
12. Anslut nätaggregatets kontakt till eluttaget.
13. När robotgräsklipparen inte är i laddningsbasen, lyser indikatorlampan på laddningsbasen (fig. 10.N) lyser med ett fast sken (se kap. 3.3).

2.4. LADDNING AV ROBOTGRÄSKLIPPAREN EFTER INSTALLATION

Batterierna ska laddas minst 2 timmar vid den första laddningen.

2.5. PRODUKTINSTÄLLNINGAR

Den automatiska användningen av robotgräsklipparen kräver en rad inställningar som kan göras via en mobil enhet (smarttelefon eller surfplatta) iOS eller Android med "STIGA GO"-appen installerad.

ANMÄRKNING: För en mer detaljerad beskrivning av funktionerna som är tillgängliga, se den kompletta instruktionsboken.

3. FUNKTIONSSÄTT

3.1. MANUELL ANVÄNDNING AV ROBOTGRÄSKLIPPAREN

Robotgräsklipparen kan användas utan den programmering som beskrivs (se avs. 2.5). I det här läget utför robotgräsklipparen en arbetscykel, återgår till laddningsbasen och förblir där tills nästa manuella start.

1. Placera robotgräsklipparen på laddningsbasen eller i vilket fall som helst inom installationens omkrets.
2. Tryck på "STOPP"-knappen (fig. 1.A) för att öppna kåpan (fig. 1.B) och använd styrkonsolen (fig. 1.C).
3. Tryck på "ON/OFF"-knappen (fig. 1.E) i fem sekunder för att slå på robotgräsklipparen.
4. Tryck på knappen "VAL AV LÄGE" (fig. 1.F) tills endast ikonen blinkar (fig. 1.L).
5. Tryck på knappen "BEKRÄFTA" (fig. 1.G). Ikonen (fig. 1.L) tänds med fast sken för att bekräfta åtgärden.
6. Stäng kåpan (fig. 1.B). Robotgräsklipparen börjar arbeta.

ANMÄRKNING: detta läge garanterar kanske inte tillräcklig täckning av trädgården, både när det gäller tid som krävs och vad gäller klippresultatets enhetlighet, särskilt om trädgården har en oregelbunden form. För att uppnå maximal effektivitet för robotgräsklipparen rekommenderas att programmeringen genomförs (se avs. 2.5).

ANMÄRKNING: Batteriladdningen före vinterförvaring måste utföras enligt vad som anges i avs. 4.3.

3.5. REGLERING AV KLIPPHÖJDEN

PLATTFORM TYPE SRSW01 - MANUELL JUSTERING

1. Stäng av robotgräsklipparen under säkra förhållanden (se avs. 1.4).
2. Justera höjddregulatorn (fig. 12.P) för att välja önskad klipp höjd så att det klippta gräset inte är över 10 mm.

ANMÄRKNING: Längden för gräset som klipps av robotgräsklipparen får inte överstiga 10 mm.

PLATTFORM TYPE SRBW01 - ELEKTRISK JUSTERING

För att justera klipp höjden följer du guiden i appen. Systemet för justering av blad höjden kräver en första kalibrering och periodiska kalibreringar som utförs automatiskt. Kalibreringen kan också utföras manuellt från den särskilda menyn i appen.



OBS:
Rör inte klippaggregatet när du justerar klipp höjden.

ANMÄRKNING: Längden för gräset som klipps av robotgräsklipparen får inte överstiga 10 mm.

4. UNDERHÅLL



OBS:
Använd endast originalreservdelar.



OBS:
Installerade säkerhetsanordningar får inte ändras, kringgås eller tas bort.



OBS:
Fara för skärsår på händerna.
Använd skyddshandskar för att undvika fara för skärning av händerna.



OBS:
Fara för att få fint damm i ögonen.
Använd skyddsglasögon för att undvika risken att få fint damm i ögonen.



VARNING:
Att använda för mycket vatten kan orsaka skadliga infiltreringar i de elektriska komponenterna.



FÖRBUD:
Använd inte vattenstrålar under tryck.



FÖRBUD:
För att inte irreversibelt skada elektriska och elektroniska komponenter, sänk inte ner robotgräsklipparen i vatten, helt eller delvis.



FÖRBUD:
Tvätta inte invändiga delar av robotgräsklipparen för att undvika skador på elektriska och elektroniska komponenter.



FÖRBUD:

Använd inte lösningsmedel eller bensin för att inte skada lackerade ytor och komponenter av plast.

4.1. PROGRAMMERAT UNDERHÅLL

Se till att rengöra produkten regelbundet och byta ut slitna delar för bättre användning och längre livslängd.

Utför ingreppen med den frekvens som anges i tabellen.

FREKVENNS	KOMPONENT	TYP AV INGREPP
Varje vecka	Blad	Gör rent och kontrollera bladets effektivitet. (Se avs. 4.2) Bladets ska bytas ut om det är böjts på grund av en stöt eller om det är slitet. (Se avs. 4.2)
	Laddningskontakter	Rengör och ta bort eventuella oxidationer. (Se den kompletta instruktionsboken)
Månadsvis	Robotgräsklippare	Gör rent. (Se den kompletta instruktionsboken)
	Laddningsbas och strömkabel	Kontrollera slitage eller försämring och byt ut dem vid behov. (Se den kompletta instruktionsboken)
I slutet av klipp säsongen eller var sjätte månad om robotgräsklipparen inte används	Batteri	Utför batteriladdningen innan du lägger undan batteriet för förvaring. (Se avs. 4.3)
Årlig eller i slutet av gräsklippningssäsongen	Robotgräsklippare	Utför servicetillfället vid en auktoriserad serviceverkstad. (Se avs. 4.1)

Det är nödvändigt att göra underhållsservice årligen vid ett auktoriserat servicecenter för att hålla robotgräsklipparen i gott skick.

ANMÄRKNING: eventuella fel på grund av underlåtenhet att genomföra den årliga servicen kommer inte att erkännas under garantin.

4.2. BYTE AV KLIPPNINGSBLAD

1. Stäng av robotgräsklipparen under säkra förhållanden (se avs. 1.4).
2. Vänd robotgräsklipparen upp och ner, var noga med att inte skada det floterande skyddet.
3. Lossa fästskruvarna (fig. 14.E).
4. Byt ut klippningsbladen (fig. 14.D).
5. Dra åt fästskruvarna (fig. 14.E).

4.3. UNDERHÅLL OCH LAGRING AV BATTERIET FÖR VINTERN

1. Ladda batteriet enligt vägledningen i appen, som är tillgänglig från sidan "Inställningar".
2. Rengör robotgräsklipparen (se den kompletta instruktionsboken)
3. Förvara robotgräsklipparen på en torr plats skyddad mot frost och se till att den är avstängd.

ANMÄRKNING: För mer detaljerade uppgifter, se den kompletta instruktionsboken.

ANMÄRKNING: Registrering av laddningen via appens procedur krävs för att batteriets garanti ska vara giltig.

5.2. FÖRVARING

Robotgräsklipparen måste förvaras horisontellt på en torr och frostfri plats efter rengöring och batteriladdning för vinterförvaring av batteriet (se kap. 4). Under långa perioder när robotgräsklipparen inte används ska du koppla bort laddningsbasen från elnätet.

5.3. BORTSKAFFANDE



OBS:
Kontakta ett auktoriserat servicecenter för uttagning av batteriet ur robotgräsklipparen.

1. Emballaget ska bortskaffas på ett hållbart sätt i förutsedda uppsamlingsbehållare eller hos auktoriserade insamlingscentraler.
2. Kasserat robotgräsklipparen i enlighet med lokala lagenliga krav.
3. Kontakta en lämplig återvinnings- och bortskaffningsanläggning eftersom robotgräsklipparen klassificeras som WEEE (Waste Electrical and Electronic Equipment).
4. Användaren ska obligatoriskt bortskaffa batterierna på ett hållbart sätt i särskilda uppsamlingsbehållare eller hos auktoriserade insamlingscentraler.

4.4. BATTERIBYTE

Batteribytet får endast utgöras av STIGAS TEKNISKA SERVICEPERSONAL.

Kontakta ett servicecenter eller din återförsäljare om batteriet behöver bytas ut.

5. TRANSPORT, LAGRING OCH BORTSKAFFANDE

5.1. TRANSPORT

ANMÄRKNING: Vi rekommenderar användning av originalemballaget för transport över längre avstånd.

1. Stäng av robotgräsklipparen under säkra förhållanden (se avs. 1.4).
2. Rengör robotgräsklipparen (se den kompletta instruktionsboken)
3. Lyft robotgräsklipparen i det särskilda handtaget (fig. 15.D) och bär den, var noga med att hålla klippbladet borta från kroppen.

6. FELSÖKNING



OBS:
Stoppa robotgräsklipparen under säkra villkor (se avs. 1.4).

Nedan finns en lista över eventuella avvikelser som kan uppstå under arbetsfasen.

FEL	ORSAKER	ÅTGÄRDER
Onormala vibrationer. Robotgräsklipparen är bullrig.	Skadad skiva eller klippblad	Byt ut skadade komponenter (se avs. 4.2).
	Klippaggregatet är blockerat av materialrester (band, rep, plastbitar osv.)	Stäng av robotgräsklipparen under säkra förhållanden (se avs. 1.4). Frigör klippbladet.
	Robotgräsklipparen startade med oförutsedda hinder (nedfallna grenar, föremål som glömts, osv.).	Stäng av robotgräsklipparen under säkra förhållanden (se avs. 1.4). Avlägsna hindren och starta om robotgräsklipparen.
	Funktionsfel på elmotorn.	Byt ut motorn hos närmaste auktoriserade serviceverkstad.
Robotgräsklipparen ställs inte i riktigt i laddningsstationen	För högt gräs.	Öka klipphöjden (se avs. 3.5). Gör en testklippning i området med en normal gräsklippare.
	Felaktig position för begränsningskabel.	Kontrollera anslutningen av laddningsstationen (se avs. 2.3.2).
Robotgräsklipparen betar sig på fel sätt runt omkretshinder.	Jorden ger efter i närheten av laddningsbasen.	Återställ korrekt placering av laddningsbasen. (Se avs. 2.3.2).
Robotgräsklipparen betar sig på fel sätt runt omkretshinder.	Begränsningskabeln har placerats felaktigt.	Placera begränsningskabeln korrekt (medurs) (se avs. 2.3.1).
Laddningsbaslampan tänds inte när roboten är utanför laddningsbasen.	Matningsspänning saknas eller ett fel har uppstått i laddningsbasen.	Kontrollera att kopplingen till nätaggregatets strömanslutning är korrekt. Kontrollera integriteten hos anslutningskabeln.
Laddningsbasen tänds med en långsam blinkning	Begränsningskabeln är inte ansluten eller är avbruten	Kontrollera installationen och reparera avbrottet (se avs. 2.3)
Laddningsbasens lampa tänds med en snabb blinkning	avgränsningskabeln är för kort eller det finns ett fel i laddningsbasen.	Kontrollera att begränsningskabeln längd är längre än vad om anges i avs. 2.3.2. Kontakta en serviceverkstad om problemet kvarstår.
Varningskonen lyser på tangentbordet	Indikerar avvikelser/felförhållanden.	Se appen för mer information eller se den kompletta instruktionsboken

7. TEKNISKA SPECIFIKATIONER

SPECIFIKATIONER	TYPE: SRSW01 (se produktens märkplåt)	TYPE: SRBW01 (se produktens märkplåt)
Bredd (BxHxD)	413 x 252 x 560 [mm]	529 x 299 x 695 [mm]
Robotgräsklipparens vikt	Beror på modell: 7,9 [kg] - 8,2 [kg] (*) (Osäkerhet +/-0,1 [kg])	Beror på modell: 12,8 [kg] - 13,5 [kg] (*) (Osäkerhet +/-0,1 [kg])
Klipphöjd (min-max)	20-60 [mm]	20-65 [mm]
Bladets diameter	180 [mm]	260 [mm]
Klipp hastighet	2850 +/-50 [rpm]	2400 +/-50 [rpm]
Rörelsehastighet	22 [m/min]	Beror på modell: 24 [m/min]; 28 [m/min] (*)
Maximal lutning	45 %	50 %
Maximal lutning längs omkretsen		20 %
Typ av klippningssystem	4 svängbara gräsklippningsblad	6 svängbara gräsklippningsblad
Kontroll av klippaggregatet		322104105/0
Uppmätt ljudeffektnivå	57 [dB] (A)	56 [dB] (A)
Osäkerhet om bullerutsläpp, KWA	1,47 [dB] (A)	0,56 [dB] (A)
Ljudeffektnivå som garanteras	59 [dB] (A)	57 [dB] (A)
Ljudtrycksnivå vid operatörens öra	46,3 [dB] (A)	45,2 [dB] (A)
Robotgräsklipparens IP-klassificering		IPX5
IP-klassificering av laddningsstationen		IPX1
Matarens IP-klassificering		IP67
Robotgräsklipparens driftsmiljötemperatur [°C]		0 ÷ 50
Driftstemperatur för laddningsstationen [°C]		-10 ÷ 50
Matardriftens miljötemperatur [°C]		-10 ÷ 50
Arbetskapacitet	Beror på modell (*)	Beror på modell (*)
Strömförsörjning	Ingång: 100-240 Vac, 1,2 A; Utgång: 30 Vcc, 2 A Använd en av nedanstående originalkoder eller senare uppdateringar (kontakta en auktoriserad STIGA-återförsäljare) 118204158/0 (EU) 118204161/0 (UK) 118204163/0 (CH)	Ingång: 200-240 Vac, 0,8 A; Utgång: 30 Vcc, 4 A Använd en av nedanstående originalkoder eller senare uppdateringar (kontakta en auktoriserad STIGA-återförsäljare) 118204159/0 (EU) 118204162/0 (UK) 118204164/0 (CH)
30 Vcc tillåtna förlängningskablar	Använd en av nedanstående originalkoder eller senare uppdateringar (kontakta en auktoriserad STIGA-återförsäljare) Kod: 1127-0010-01, längd 5 m Kod: 1127-0020-01, längd 15 m	
Batterimodell	Beror på modell: 25,2V - 2Ah; 25,2V - 2,5Ah; 25,2V - 5Ah; 25,2V - 6Ah (*)	Beror på modell: 25,2V - 5Ah; 25,2V - 6Ah; 25,2V - 2x5Ah; 25,2V - 2x6Ah (*)
Laddningstid	Beror på modell: 60 [min]; 80 [min]; 150 [min] (*)	Beror på modell: 150 [min]; 180 [min] (*)
Arbetstid	Beror på modell: 60 [min]; 90 [min]; 150 [min] (*)	270 [min]
Anslutbarhet	Bluetooth®	Bluetooth®, 4G, 3G, GSM
Navigationsteknik		GNSS

(*) För ytterligare information om den specifika modellen, se den kompletta handboken som finns tillgänglig online (se QR-kod på första sidan i detta häfte).

Den fulde instruktionsbog er disponibel:

- ▷ på webstedet stiga.com
- ▷ på appen STIGA GO, disponibel hos App Store og Google Play
- ▷ ved at scanne QR-koden



BEMÆRK: anvisningerne i denne instruktionsbog gælder for alle modeller til robotplæneklipper med kableddning. Figureerne, uden specifikation, henviser til platformen SRSW01.

BEMÆRK: Denne manual indeholder grundlæggende instruktioner, primært relateret til sikkerheden. For korrekt installation skal den komplette brugsanvisning læses og følges nøje (se ovenfor).

1. SIKKERHED

FORPLIGTELSE:

Skal læses grundigt før brug og opbevares til fremtidige henvisninger.

1.1. SIKRE DRIFTSMÆSSIGE FREMGANGSMÅDER

Uddannelse

- a. Læs anvisningerne grundigt, kend til betjeningsanordningerne og korrekt brug af maskinen.
- b. Maskinen er ikke beregnet til at blive brugt af børn eller af personer med begrænsede fysiske, sensoriske eller mentale egenskaber eller med manglende erfaring og kendskab, eller personer uden kendskab til disse anvisninger. De lokale forordninger kan muligvis begrænse operatørens alder.
- c. Operatøren eller brugeren anses som ansvarlig for ulykker eller risici, der involverer andre personer eller andre personers udstyr.

Klargøring

- a. Sørg for at systemet til automatisk afgrænsning af området er installeret korrekt iht. anvisningerne.
- b. Undersøg jævnligt området hvor maskinen bruges, og fjern sten, stave, kabler og ethvert andet fremmedlegeme, som eventuelt kan hindre funktionen.
- c. Undersøg jævnligt knivene, knivenes bolte og skæreenheden for at kontrollere, at de ikke er slidte eller beskadigede.

Udskift knivene og de bolte der er slidte eller beskadigede parvis for at bevare maskinens ligevægt.

- d. Advarselssignaler skal placeres omkring maskinens arbejdsområde, hvis den bruges på offentlige områder eller områder der er åbne for offentligheden. Signalerne skal omfatte følgende tekst: "Advarsel! Automatisk plæneklipper! Hold afstand fra maskinen! Hold opsyn med børnene!"

1.1.1. FUNKTION

Generelle oplysninger

- a. Maskinen må ikke bruges med defekte reparationer eller manglende sikkerhedsanordninger, f.eks. uden beskyttelsesværn.
- b. Anbring ikke hænder eller fødder i nærheden af eller under de roterende dele. Hold dig på afstand fra udkastningsåbningen.
- c. Man må ikke røre maskinens bevægende dele, før de er standset helt.
- d. Man skal altid anvende kraftigt fodtøj og lange bukser under maskinens drift.
- e. Løft eller transportér aldrig maskinen, mens motoren kører.
- f. Afmontér enhedens inaktiveringsmekanisme:
 - Før en tilstopning fjernes
 - Inden kontrol, rengøring eller reparation af maskinen
 - Hvis maskinen rammes af et fremmedlegeme, skal du kontrollere, om den er beskadiget
 - Hvis maskinen begynder at vibrere på en usædvanlig måde for at kontrollere den for skader, før den genstartes.
- g. Maskinen må ikke efterlades uden opsyn i nærheden af kæledyr, børn eller andre personer i nærheden.

Vedligeholdelse og opbevaring

- a. Stram alle møtrikker, bolte og skruer godt for at sikre maskinens drift.

- b. Kontrollér jævnligt om robotplæneklipperen er slidt eller ødelagt.
- c. Af sikkerhedsmæssige hensyn skal man udskifte slidte eller beskadigede dele.
- d. Sørg for at de knive kun udskiftes med egnede reservedele.
- e. Sørg for at batterierne genoplades med den korrekte batterioplader, som anbefales af fabrikanten. En forkert brug kan medføre elektriske stød, overophedning eller udsivning af ætsende væske fra batteriet.
- f. I tilfælde af udsivning af elektrolyt, skal man vaske med vand/neutraliseringsmiddel og opsøge læge, hvis væsken kommer i kontakt med øjnene osv.
- g. Maskinens vedligeholdelse skal udføres i overensstemmelse med fabrikantens anvisninger.

Tilbageværende risici

- Selvom produktet overholder alle sikkerhedskrav, kan der stadig være yderligere risici på grund af forkert installation og/eller uforudsigelige situationer.

Det er derfor nødvendigt at holde det område, hvor produktet anvendes fri for genstande, mennesker og dyr, og at informere alle personer, der kan have adgang til arbejdsområdet, selv lejlighedsvis, om de mulige farer.

- I tilfælde af tordenvejr med risiko for lynnedslag og generelt i forventning om dårlige vejrforhold, frarådes det at bruge produktet og at frakoble kantledningen fra ladestationen samt alle de perifere enheder fra strømforsyningen. For at bruge produktet skal du tilslutte kantledningen og de perifere enheder til strømforsyningen igen i henhold til instruktionerne i manualen.

1.2. PRODUKTBESKRIVELSE

Robotplæneklipperen er konstrueret til at klippe græsset i de områder i haven der afgrænses af kantledningen.

Driftsprincippet baseres på vilkårlig navigation. Når robotplæneklipperen detekterer kantledningen eller støder på en hindring, skifter den retning.

Enhver anden brug er farlig og kan medføre kvæstelser og/eller materielle skader. Uegnet brug er for eksempel følgende (men ikke udelukkende): transport af personer, børn eller dyr på maskinen, at lade sig transportere af maskinen, anvendelse

af maskinen til at trække eller skubbe laster, bruge maskine til klipping af grønne planter, som ikke er græs.

TYPE-plattformen: SRBW01 er udstyret med et 3G/4G-modul med SIM-kort og et GNSS-modul, som muliggør fjernstyring af robotplæneklipperen og navigationsassistancefunktioner.

1.3. SYMBOLER OG SKILTE



ADVARSEL:

Læs brugsanvisningerne, før produktet igangsættes.



ADVARSEL:

Fare for udslyngning af genstande mod kroppen.

Man skal holde sikker afstand fra maskinen under brug.



ADVARSEL:

Sørg for at holde hænder og fødder uden for huset, hvor skæreanordningen er anbragt. Afmonter inaktiveringsmekanismen, før du foretager indgreb på maskinen eller før den løftes.



ADVARSEL:

Sørg for at holde hænder og fødder uden for huset, hvor skæreanordningen er anbragt. Stige ikke op på maskinen.



FORBUDT:

Sørg for, at der ikke findes personer (især børn, ældre eller mennesker med handicap) samt kæledyr i arbejdsområdet, når maskinen er i brug.

Hold børn, andre personer og husdyr på sikker afstand, mens maskinen arbejder.



FORBUDT:

Brug ikke højtryksrensere på maskinen for at rengøre eller vaske den.



Apparat med isoleringsklasse III, drevet af batteri (robotplæneklipper) eller via en særlig strømforsyningsenhed (opladningsbase og referencestation).



Brug den originale strømforsyningsenhed med specifikationerne på typeskiltet.



Symbol for jævnstrømforsyning.

IPXX

Graden af beskyttelse mod indtrængen af faste legemer og vand.



Affald fra elektrisk og elektronisk udstyr skal afleveres hos passende faciliteter til genbrug og bortskaffelse.



Garanteret lydeffektniveau

1.4. STANDSNING OG SLUKNING AF ROBOTPLÆNEKLIPPERNE UNDER SIKRE FORHOLD



FORPLIGTELSE:

Robotplæneklipperen skal altid slukkes under sikre forhold for enhver form for rengøring, transport eller vedligeholdelse.

1. Tryk på knappen "STOP" (Fig. 1.A) for at standse robotplæneklipperen under sikre forhold, og åbn beskyttelsesdækslet (Fig. 1.B).
2. Tryk på slukningsknappen (Fig. 1.E) i et par sekunder, og vent på, at lysdioden på den samme knap slukker.
3. Først når lysdioden er slukket (Fig. 1.E), slås sikkerhedsnøglen fra (Fig. 1.D) for at slukke robotplæneklipperen på en sikker måde.
4. Robotplæneklipperen er standset og slukket under sikre forhold.

2. INSTALLATION



ADVARSEL:

Det er ikke tilladt at ændre, manipulere med, undvige, fjerne de installerede sikkerhedsanordninger.

BEMÆRK: Kontakt en STIGA-forhandler for yderligere forklaringer om produktets installation.

KOMPONENTER TIL INSTALLATIONEN (Fig. 2)

(A) Ladestation, (B) Strømforsyningsenhed, (C) Kantledning, (D) Søm til fastgøring af kantledning, (E) Skrue til fastgøring af ladestation, (F) Samling til kantledning, (G) Konnektorer til ladestationen.

2.1. KONTROL AF FORUDSÆTNINGERNE TIL INSTALLATIONEN

2.1.1. KONTROL AF HAVEN:

- Kontrollér havens tilstand i henhold til oplysningerne i Kap. 1.
- Jævn terrænet, så der ikke dannes vandpytter efter regn.

2.1.2. KONTROLLER AF LADESTATIONENS OG STRØMFORSYNINGSENHEDENS INSTALLATION:



FARE FOR STØD:

Man skal råde over et strømudtag der opfylder kravene i landets gældende lovgivning.



FARE FOR STØD:

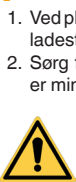
Det medfølgende kredsløb skal beskyttes af en fejlstrømsafbryder (RCD) med en aktiveringsstrøm på maks. 30 mA.



FARE FOR STØD:

Strømforsyningsenheden må ikke sluttes til et strømudtag, hvis stikket eller kablet er beskadiget.

Man må ikke tilslutte eller røre et beskadiget kabel, før strømforsyningen afbrydes. Et beskadiget kabel kan medføre kontakt med spændingsførende dele.



ADVARSEL:

Forsyningskablet, strømforsyningen, forlængerledningen og ethvert andet elkabel, som ikke hører til produktet skal befinde sig uden for plæneklipperens område for at holde dem langt fra farlige komponenter i bevægelse og undgå skader på kablerne, som kan medføre kontakt med komponenter under spænding.

3. Forbered området til strømforsyningsenhedens installation, så den ikke befinder sig i risiko for at blive våd i tilfælde af dårligt vejr. Det tilrådes fortrinsvist at installere den i et lukket rum, som er beskyttet mod vind og vejr, på et sted som ikke er nemt at tilgå for uvedkommende.

2.1.3. OVERORDNEDE KONTROLLERTILINSTALLATION AF KANTLEDNINGEN:

1. Kontrollér, at arbejdsområdets maksimale hældning er mindre end eller svarer til 45 % eller 50 % alt efter modellen (se Afsn.7 TEKNISKE DATA) og overholde de regler, der er vist på Fig.3.



ADVARSEL:

Robotten kan klippe græsset med hældning på maks. 45 % eller 50 % alt efter modellen. I tilfælde af manglende overholdelse af brugsanvisningen vil robotten glide og køre ud af arbejdsområdet



ADVARSEL:

Områder med hældninger der er stejlere end de tilladte kan ikke klippes. Kantledningen skal derfor placeres foran skråningen for at udelukke det pågældende område på græsplænen fra klipningen.

2. Kontrollér hele arbejdsområdet: vurder forhindringerne og de områder der skal udelukkes, som skal begrænses med kantledningen.

2.2. KRITERIER TIL INSTALLATION AF KANTLEDNINGEN

Nedenfor angives kriterierne ifm. kantledningens installation. Rådfør med den komplette instruktionsbog for mere detaljerede oplysninger.

MINIMUMSAFSTANDE			
STRUKTURELT ELEMENT	MINIMUMSAFSTAND FOR INSTALLATION AF KABLET I FORHOLD TIL DET STRUKTURELLE ELEMENT		
	TYPE	SRSW01	SRBW01
Vejbelægning eller indkørsel på sammenlignelsesområde plænen	5 cm	5 cm	

Grøft, væg eller mur	35 cm	45 cm
Hæk eller træ overfladiskerødder	30 cm	40 cm
Swimmingpool, nedgravet dam, ubeskyttet offentlig vej	90 cm	100 cm
Swimmingpool eller vej for enden af en bakke	150 cm	150 cm

**FORSIGTIG:**

Fare for snitsår på hænder. Anvend sikkerhedshandsker for at undgå risiko for snitsår på hænderne.

**FORSIGTIG:**

Fare for støv i øjnene. Brug beskyttelsesbriller for at undgå risiko for støv i øjnene.

**FARE FOR STØD:**

Slut kun strømforsyningen til, når alle installationsprocedurer er overstået. Om nødvendigt deaktiveres den overordnede strømforsyning under installationen.

2.3.1. INSTALLATION AF KANTLEDNING**PLACERING MED PLØKKE**

1. Anbring kantledningen ved at starte fra det område, hvor ladestationen installeres.
2. Anbring ledningen langs strækningen ved at fastgøre den med de relevante pløkker (Fig. 7.B) med en afstand på cirka 100 cm fra hinanden, og overhold de anførte installationskrav (se Afsn. 2.2).
3. Efterlad 2 m ekstra ledning for efterfølgende at skære den til måls i den endelige tilkoblingsfase.
4. I kurverne placeres kablet, så krumningsradiusen er på cirka 20 cm (Fig. 7.A).

AFGRÆNSNINGSTYPER IFM. FORHINDRINGER		
GENNEMGANG MELLEM TO FORSKELLIGE AFSNIT PÅ KANTLEDNINGEN		
TYPE		
SRSW01	SRBW01	
X _≥ 70 cm (Fig. 4)	X _≥ 90 cm (Fig. 4)	Forhindringen afgrænses ved at overlape ledningens afsnit til tilførsel og tilbageløb uden at krydse dem.
X _{<} 70 cm (Fig. 5)	X _{<} 90 cm (Fig. 5)	Forhindringen afgrænses ved at adskille ledningens to afsnit til tilførsel og tilbageløb med mindst Y = 30 cm. Hvis forhindringen er stærk nok, kan den efterlades ubeskyttet.

GENNEMGANGE MELLEM HAVENS FORSKELLIGE OMRÅDER		
BREDDE GENNEMGANG Z		
TYPE		
SRSW01	SRBW01	
Z _≥ 70 cm (Fig. 6)	Z _≥ 90 cm (Fig. 6)	Området (Fig. 6.A) kan nås af robotplæneklipperen.
Z _{<} 70 cm (Fig. 6)	Z _{<} 90 cm (Fig. 6)	Området (Fig. 6.A) kan ikke nås af robotplæneklipperen, og skal betragtes som "Lukket område".

**FORSIGTIG:**

Arbejdsområdet og generelt områderne, hvor robotplæneklipperen kan køre, skal begrænses med et hegn, som man ikke kan kravle over.

Sørg for at hegnet er hensigtsmæssigt, eller overvåg robotplæneklipperen under drift.

2.3. INSTALLATION AF KOMPONENTERNE**FARE FOR STØD:**

Brug kun batterioplader og strømforsyningsenhed som leveres af fabrikanten. Uhensigtsmæssig brug kan foranledige elektriske stød og/eller overophedning.

**ADVARSEL:**

Sørg for at ledningen berører jorden langs hele strækningen for at undgå at robotplæneklipperen kan beskadige den.

BEMÆRK: Kantledningen som bruges til installationen skal være mindst 40 m lang. Hvis ledningens længde er kortere, installeres kod. 122063053/0. Se den komplette instruktionsbog.

2.3.2. INSTALLATION AF LADESTATION

Monter ladestationen inden for kantledningen, så robotten kan få adgang hertil ved at navigere på kantledningen imod uret.

1. Kontrollér forudsætningerne til installationen, som vist i Afsn. 2.2.
2. Om nødvendigt forberedes terrænet, så ladestationens

overflade er på samme niveau som plænen, jorden skal være helt plan og kompakt for at undgå at ladestationens bund ikke deformeres.

3. Tag dækslet af (Fig. 8.C).
4. Anbring ladestationen inden for kantledningen (Fig. 8. D2), så robotten kan få adgang hertil ved at navigere på kantledningen imod uret.
5. Indsæt ledningens to ender i de relevante kanaler (Fig. 8. E2).
6. Skær ledningens ender til korrekt længde.
7. Sæt de selvborende konektorer på ledningen (Fig. 9.F), (Fig. 9.G), (Fig. 9.H).
8. Slut konektorerne til klemmerne (Fig. 8.I).
9. Fastgør ladestationen (Fig. 10.L) til jorden med fastgøringsskruerne (Fig. 10.M).
10. Sæt dækslet på igen (Fig. 10.C).
11. Slut strømforsyningsenheden til ladestationen, og skru stikket i.
12. Slut strømforsyningsenhedens stik til stikkontakten.
13. Kontrollér, at kontrollampen på ladestationen er tændt med fast lys, når robotplæneklipperen ikke befinder sig på den (Fig.10.N) (se Kap. 3.3)

2.4. GENOPLADNING AF ROBOTPLÆNEKLIPPEREN EFTER INSTALLATIONEN

Ved første genopladning skal batterierne oplades i mindst 2 timer.

2.5. PRODUKTETS INDSTILLINGER

Robotplæneklipperens automatiske funktion kræver en række indstillinger der foretages gennem mobilenhed (smartphone) iOS eller Android med den installerede app "STIGA GO".

BEMÆRK: Rådfør med den komplette instruktionsbog for en mere detaljeret beskrivelse af de disponible funktioner.

3. FUNKTION

3.1. MANUEL FUNKTION AF ROBOTPLÆNEKLIPPEREN

Robotplæneklipperen kan bruges uden at udføre den beskrivne programmering (se Afsn. 2.5). I denne tilstand udfører robotplæneklipperen en arbejds cyklus, vender tilbage til ladestationen, og bliver der indtil næste manuelle start.

1. Anbring robotplæneklipperen på ladestationen eller under alle omstændigheder inden for installationens omkreds.
2. Tryk på knappen "STOP" (Fig. 1.A) for at åbne dækslet (Fig. 1.B), og få adgang til betjeningskonsollen (Fig. 1.C).
3. Tryk på knappen "ON/OFF" (Fig. 1.E) i 5 sekunder for at tænde robotplæneklipperen.
4. Tryk på knappen "VALG AF FUNKTION" (Fig.1.F), indtil det ene ikon blinker (Fig. 1.L).
5. Tryk på knappen "BEKRÆFT" (Fig. 1.G). Ikonet (Fig. 1.L) tænder med fast lys for at bekræfte proceduren.
6. Luk dækslet (Fig. 1.B). Robotplæneklipperen starter arbejdet.

BEMÆRK: denne tilstand garanterer muligvis ikke en hensigtsmæssig dækning af haven, både hvad angår den nødvendige tid og hvad angår klipningens ensartethed, især hvis havens form ikke er regelmæssig. Vi anbefaler at udføre programmeringen for at sikre robotplæneklipperens maksimale effektivitet (se Afsn. 2.5).

3.2. BESKRIVELSE AF BETJENINGSANORDNINGERNE PÅ ROBOTPLÆNEKLIPPEREN

Liste over betjeningsanordninger, indikatorer og deres funktion:

- Knappen "STOP" (Fig. 1.A): er beregnet til at stoppe robotplæneklipperen på en sikker måde.
- "SIKKERHEDSNØGLE" (Fig. 1.D): er beregnet til at slukke robotplæneklipperen på en sikker måde.
- Knappen "ON/OFF" (Fig. 1.E): er beregnet til at tænde og slukke robotplæneklipperen og nulstille alarmerne.
- Knappen "VALG AF FUNKTION" (Fig. 1.F): er beregnet til at vælge robotplæneklipperens driftsfunktion og til at tvinge den til at køre tilbage til ladestationen.
- Knappen "BEKRÆFT" (Fig. 1.G): er beregnet til at bekræfte den indstillede driftstilstand.
- Tændt ikon "PLANLAGT PROGRAM" (Fig. 1.I): er beregnet til at vise indstillingen af det planlagte program.
- Det tændte ikon "ENKELT ARBEJDS CYKLUS" (Fig.1.L): er beregnet til at vise indstillingen af den enkelte arbejds cyklus.
- Tændt ikon "TILBAGEKØRSEL TIL STATIONEN" (Fig. 1.H): er beregnet til at vise indstillingen for robotplæneklipperens påtvungne tilbagekørsel til ladestationen.
- Knappen "BLUETOOTH" (Fig. 1.M): bruges kun af servicecenteret til diagnosticeringsaktiviteter.
- Tændt ikon "ALARME" (Fig. 1.N): er beregnet til at vise alarmtilstandene.
- Tændt ikon "BATTERI" (Fig. 1.O): er beregnet til at vise batteriets opladning.

BEMÆRK: Rådfør med den komplette manual for at mere detaljeret beskrivelse af de ovenstående betjeningsanordninger.

3.3. LADESTATIONENS FUNKTION

Ladestationen har en tændt kontrollampe (Fig. 10.N), der tænder, som angivet nedenfor:

- Slukket kontrollampe: ladestationens strømforsyning er afbrudt, og robotten befinder sig ved stationen.
- Kontrollampe med fast lys: kantledningen er sluttet korrekt til ladestationen, og kantsignalet udsendes korrekt.
- Kontrollampe med langsom blinken: kantledningen er ikke tilsluttet eller er afbrudt.
- Kontrollampe med hurtig blinken: kantledningen er for kort, eller der er fejl i ladestationen.

3.4. OPLADNING AF BATTERI

Proceduren "OPLADNING AF BATTERI" gør det muligt at genoplade robotplæneklipperen manuelt.

1. Placer robotplæneklipperen på ladestationen (Fig. 11.R).
2. Lad robotplæneklipperen glide på ladestationen, indtil opladningsstikket tilkobles (Fig. 11.S).
3. Tryk på knappen "STOP" (Fig. 11.A) for at åbne dækslet (Fig. 11.B), og få adgang til betjeningskonsollen (Fig. 11.C).
4. Tænd robotplæneklipperen vha. tasten "ON/OFF" (Fig. 11.E).
5. Tændt ikon "BATTERI" (Fig. 11.L) blinker. Robotplæneklipperen oplades.
6. Luk dækslet (Fig. 11.B).
7. Lad robotplæneklipperen oplade i mindst den tid der angives i Afsn. 2.4.

BEMÆRK: Batteriets genopladning før vintersæsonen skal udføres i henhold til oplysningerne i Afsn.4.3.

3.5. JUSTERING AF SKÆREHØJDE

PLATFORM TYPE SRSW01 - MANUEL JUSTERING

1. Sluk robotplæneklipperen på en sikker måde (se Afsn. 1.4).
2. Brug højdereguleringsanordningen (Fig. 12.P) til at vælge den ønskede skærehøjde, så det klippede græs ikke er mere end 10 mm.

BEMÆRK: Græssets længde, som klippes af robotplæneklipperen, må ikke være højere end 10 mm.

PLATFORM TYPE SRBW01 - ELEKTRISK JUSTERING

Følg den gule procedure i APP for at regulere klippehøjden. Systemet til justering af knivhøjden kræver en indledende kalibrering og jævnlige kalibreringer, der udføres automatisk. Kalibreringen kan også udføres manuelt fra den dedikerede menu i appen.



FORSIGTIG:
Man må ikke røre skæreanordningen til reguleringen af klippehøjden.

BEMÆRK: Græssets længde, som klippes af robotplæneklipperen, må ikke være højere end 10 mm.

4. VEDLIGEHOLDELSE



FORSIGTIG:
Brug kun originale reservedele.



FORSIGTIG:
Det er ikke tilladt at ændre, manipulere med, undvige, fjerne de installerede sikkerhedsanordninger.



FORSIGTIG:
Fare for snitsår på hænder.
Anvend sikkerhedshandsker for at undgå risiko for snitsår på hænderne.



FORSIGTIG:
Fare for støv i øjnene.
Brug beskyttelsesbriller for at undgå risiko for støv i øjnene.



ADVARSEL:
Overdreven brug af vand kan resultere i, at vandet trænger ind og beskadiger de elektriske komponenter.



FORBUDT:
Brug ikke vandstråler under tryk.



FORBUDT:
For at undgå uoprettelige skader på de elektriske og elektroniske komponenter må robotplæneklipperen ikke nedsænkes helt eller delvist i vand.



FORBUDT:
Vask ikke indersiden af robotplæneklipperen for ikke at beskadige de elektriske og elektroniske komponenter.



FORBUDT:

Brug ikke opløsningsmidler eller benzin for ikke at beskadige de malede overflader og plastdelene.

4.1. PROGRAMMERET VEDLIGEHOLDELSE

Sørg for at rengøre produktet jævnligt, og udskifte slidte komponenter for en bedre funktion og længere levetid.

Udfør indgrebene iht. den hyppighed der angives i tabellen.

HVOR OFTE	KOMPONENT	BESKRIVELSE AF INDGREBET
Ugentligt	Kniv	Rengør og kontrollér at kniven fungerer korrekt. (Se Afsn. 4.2) Hvis kniven er bøjet som følge af sammenstød, eller hvis den er slidt, skal den udskiftes. (Se Afsn. 4.2)
	Opladningskontakter	Rens og fjern eventuel rust. (Se den komplette instruktionsbog)
Månedligt	Robotplæneklipper	Rengør. (Se den komplette instruktionsbog)
	Ladestation og strømforsyningskabel	Kontrollér for slidage eller beskadigelse, og udskift dem efter behov. (Se den komplette instruktionsbog)
Ved sæsonens afslutning eller hver sjette måned, hvis robotplæneklipperen ikke anvendes	Batteri	Oplad batteriet, før det opmagasineres. (Se Afsn. 4.3)
Årligt eller ved sæsonens afslutning	Robotplæneklipper	Foretag eftersynet hos et autoriseret servicecenter. (Se Afsn. 4.1)

Man skal foretage en årlig vedligeholdelse hos et autoriseret servicecenter for at sikre robotplæneklipperens fungerer efter hensigten.

BEMÆRK: garantien dækker ikke eventuelle defekter som skyldes manglende årligt eftersyn.

4.2. UDSKIFTNING AF SKÆREKNIVE

1. Sluk robotplæneklipperen på en sikker måde (se Afsn. 1.4).
2. Vend robotplæneklipperen om, og vær opmærksom på ikke at beskadige det flydende dæksel.
3. Skru fastgøringsskrueerne ud (Fig. 14.E).
4. Udskift skæreknivene (Fig. 14.D).
5. Stram fastgøringsskrueerne (Fig. 14.E).

4.3. VEDLIGEHOLDELSE AF BATTERIET FØR VINTER OG OPLAGRING

1. Oplad batteriet i henhold til guiden i appen, som kan findes på siden "Indstillinger".
2. Rengør robotplæneklipperen (Se den komplette instruktionsbog).
3. Opbevar robotplæneklipperen på et tørt sted og beskyttet mod frost og sørg for, at den er slukket.

BEMÆRK: Rådfør med den komplette instruktionsbog for mere detaljerede oplysninger om opladningsproceduren om vinteren.

BEMÆRK: Registreringen af opladningen via proceduren i appen er nødvendig for gyldigheden af batteriets garanti.

5.2. OPLAGRING

Robotplæneklipperen skal oplagres på et tørt sted i vandret stilling, og beskyttes mod frost efter at have udført rengøringen og genopladning af batteriet til vintersæsonen (se Kap. 4). Under langvarig stilstand frakobles ladestationen fra elnettet.

5.3. BORTSKAFFELSE



FORSIGTIG:

Henvend dig til et autoriseret servicecenter for at fjerne batteriet fra robotplæneklipperen.

1. Produktet skal kasseres på miljømæssig forsvarlig vis ved anbringelse i de respektive containere eller ved indlevering til de autoriserede genbrugsstationer.
2. Kassér robotplæneklipperen i henhold til kravene i de lokale bestemmelser.
3. Man skal henvende sig til de relevante faciliteter for genbrug og bortskaffelsen, da robotplæneklipperen er affald der klassificeres som elektronisk affald (WEEE).
4. Man skal kassere de gamle og udtjente batterier på en bæredygtig måde i opsamlingsbeholderne eller hos de relevante autoriserede opsamlingscentre.

4.4. UDSKIFTNING AF BATTERI

Udskiftningen af batteriet må udelukkende udføres af **TEKNISK PERSONALE FRA STIGA**.

Kontakt et servicecenter eller din forhandler, hvis det viser sig nødvendigt at udskifte batteriet.

5. TRANSPORT, OPLAGRING OG BORTSKAFFELSE

5.1. TRANSPORT

BEMÆRK: Vi anbefaler brugen af den originale emballage til transport over længere afstande.

1. Sluk robotplæneklipperen på en sikker måde (se Afsn. 1.4).
2. Rengør robotplæneklipperen (Se den komplette instruktionsbog).
3. Løft robotplæneklipperen med håndtaget (Fig. 15.D), og flyt den ved at være opmærksom på at holde skæreknaven væk fra kroppen.

6. UDBEDRING AF PROBLEMERNE



FORSIGTIG:

Stands robotplæneklipperen på en sikker måde (se Afsn.1.4).

Nedenfor vises listen over eventuelle anomalier som muligvis kan forekomme i løbet af arbejdet.

PROBLEM	ÅRSAGER	LØSNINGER
Unormale vibrationer. Robotplæneklipperen larmer.	Skive eller skæreknav er beskadigede	Udskift de beskadigede komponenter (se Afsn.4.2).
	Skæreanordninger er blokeret af rester (bånd, reb, plastikdele osv.)	Sluk robotplæneklipperen på en sikker måde (se Afsn.1.4). Frigør skæreknaven.
	Robotplæneklipperen er blevet startet i nærheden af uventede forhindringer (nedfaldne grene, glemte genstande osv.)	Sluk robotplæneklipperen på en sikker måde (se Afsn.1.4). Fjern forhindringerne og genstart robotplæneklipperen.
	Den elektriske motor er defekt	Henvend dit til det nærmeste autoriserede servicecenter for at udskifte motoren
Robotplæneklipperen anbringes ikke korrekt ind i ladestationen.	Græsset er for højt.	Forøg klippehøjden (se Afsn.3.5). Udfør en forudgående klipning i området med en almindelig plæneklipper
	Kantledningens position er forkert.	Kontrollér ladestationens tilslutning (se Afsn.2.3.2).
Robotplæneklipperen opfører sig unormalt omkring afgrænsende forhindringer.	Der er sket en jordsammenstyrning i nærheden af ladestationen.	Flyt ladestationen. (Se Afsn. 2.3.2).
	Kantledningen er forkert placeret.	Flyt kantledningen (med uret) (se Afsn.2.3.1).
Ladestationens kontrollampe tænder ikke, når robotten befinder sig uden for ladestationen.	Forsyningsspændingen mangler, eller der er fejl i ladestationen.	Kontrollér den korrekte tilslutning til strømforsyningsenhedens stikkontakt. Kontrollér, at forsyningsenhedens tilslutningskabel er intakt.
Ladestationens kontrollampe tænder med langsom blinken	Kantledningen er ikke tilsluttet eller er afbrudt	Kontrollér installationen og reparer den ødelagte del (se Afsn.2.3)
Ladestationens kontrollampe tænder med hurtigt blinken	kantledningen er for kort, eller der er fejl i ladestationen.	Kontrollér, at kantledningens længde er større end den der angives i Afsn.2.3.2. Kontakt servicecentret, hvis problemet fortsætter.
På tastaturet tænder ikonet til Advarsel	Signalerer tilstande med Anomali/Fejl.	Rådfør med appen for yderligere oplysninger eller se den komplette instruktionsbog.

7. TEKNISKE DATA

TEKNISKE OPLYSNINGER	TYPE: SRSW01 (se produktets etiket)	TYPE: SRBW01 (se produktets etiket)
Dimensioner (BxHxD)	413 x 252 x 560 [mm]	529 x 299 x 695 [mm]
Robotplæneklipperens vægt	Det afhænger af modellen: 7,9 [kg] - 8,2 [kg] (*) (Uvished +/-0,1 [kg])	Det afhænger af modellen: 12,8 [kg] - 13,5 [kg] (*) (Uvished +/-0,1 [kg])
Klippehøjde (Min-Maks)	20-60 [mm]	20-65 [mm]
Knivens diameter	180 [mm]	260 [mm]
Klippehastighed	2850+/-50 [o/min]	2400+/-50 [o/min]
Kørehastighed	22 [m/min]	Det afhænger af modellen: 24 [m/min]; 28 [m/min] (*)
Maksimal hældning	45 %	50 %
Maksimal hældning langs yderkanten	20 %	
Klappesystemets type	4 drejelige skæreknive	6 drejelige skæreknive
Skæreanordningens kode	322104105/0	
Registreret lydeffektniveau	57 [dB] (A)	56 [dB] (A)
Usikkerhed om støjemissionerne, KWA	1,47 [dB] (A)	0,56 [dB] (A)
Garanteret lydeffektniveau	59 [dB] (A)	57 [dB] (A)
Lydtrykniveau ved operatorens øre	46,3 [dB] (A)	45,2 [dB] (A)
IP-klassificering robotplæneklipper	IPX5	
IP-klassificering opladningsstation	IPX1	
IP-klassificering strømforsyningsenhed	IP67	
Omgivelsestemperatur under robotplæneklipperens drift [°C]	0 ÷ 50	
Omgivelsestemperatur under opladningsstationens drift [°C]	-10 ÷ 50	
Omgivelsestemperatur under strømforsyningsenhedens drift [°C]	-10 ÷ 50	
Driftskapacitet	Afhænger af modellen (*)	
Strømforsyning	Indgang: 100-240 Vac, 1,2 A. Udgang: 30 Vcc, 2 A Brug en af nedenstående originale koder eller efterfølgende opdateringer (kontakt en autoriseret STIGA-forhandler) 118204158/0 (EU) 118204161/0 (UK) 118204163/0 (CH)	Indgang: 200-240 Vac, 0,8 A. Udgang: 30 Vcc, 4 A Brug en af nedenstående originale koder eller efterfølgende opdateringer (kontakt en autoriseret STIGA-forhandler) 118204159/0 (EU) 118204162/0 (UK) 118204164/0 (CH)
	Brug en af nedenstående originale koder eller efterfølgende opdateringer (kontakt en autoriseret STIGA-forhandler) Kode: 1127-0010-01, længde 5 m Kode: 1127-0020-01, længde 15 m	
Tilladte 30 Vcc forlænger kabler	Brug en af nedenstående originale koder eller efterfølgende opdateringer (kontakt en autoriseret STIGA-forhandler) Kode: 1127-0010-01, længde 5 m Kode: 1127-0020-01, længde 15 m	
Batterimodel	Det afhænger af modellen: 25,2V - 2Ah 25,2V - 2,5Ah; 25,2V - 5Ah; 25,2V - 6Ah (*)	Det afhænger af modellen: 25,2V - 5Ah 25,2V - 6Ah; 25,2V - 2x5Ah; 25,2V - 2x6Ah (*)
Opladningstid	Det afhænger af modellen: 60 [min]; 80 [min]; 150 [min] (*)	Det afhænger af modellen: 150 [min]; 180 [min] (*)
Arbejdstid	Det afhænger af modellen: 60 [min]; 90 [min]; 150 [min] (*)	270 [min]
Forbindelsesmuligheder	Bluetooth®, 4G, 3G, GSM	
Navigationsteknologi	GNSS	

(*) For yderligere oplysninger om den specifikke model, se venligst den komplette manual, der er tilgængelig online (se QR-koden på første side i dette hæfte).

SUOMI - Alkuperäisten ohjeiden käännös

Täydellinen ohje voidaan ladata:

- ▷ [sivustolta stiga.com](http://sivustolta.stiga.com)
- ▷ [sovellusohjelmasta STIGA GO](#), saatavana App Storesta ja Google Playsta
- ▷ [skannaamalla QR-koodi](#)



HUOMAUTUS: tämän ohjekirjan ohjeet koskevat kaikkia kaapeliohjattavien robottiruohonleikkureiden malleja. Ellei toisin ole määritetty, kuvat viittaavat alustaan SRSW01.

HUOMAUTUS: Tämä ohjekirja sisältää perusohjeita, jotka liittyvät pääasiassa turvallisuuteen. Oikea asennus edellyttää, että koko ohjekirja (ks. edellä) luetaan ja sitä noudatetaan huolellisesti.

1. TUVALLISUUS

MÄÄRÄYS:

Lue ne huolella ennen tuotteen käyttöä ja säilytä ne tulevaa tarvetta varten.

1.1. TURVALLISET TOIMINTATAVAT

Koulutus

- a. Lue ohjeet huolellisesti, tutustu ohjauksiin ja laitteen oikeaan käyttöön.
- b. Älä koskaan anna laitetta lasten tai fyysisesti tai henkisesti rajoittuneiden henkilöiden käyttöön, joilla ei ole tämän laitteen käyttöön liittyvä kokemusta ja tuntemusta tai sellaisten henkilöiden käyttöön jotka eivät tunne ohjeita. Paikalliset määräykset voivat asettaa rajoituksia käyttäjän iälle.
- c. Työntekijää tai käyttäjää on pidettävä vastuussa onnettomuuksista tai vaaroista, jotka koskevat kolmansia tahoja tai kolmansien tahojen varusteita.

Valmistus

- a. Varmista, että automaattinen ympäröivä rajoitus on asennettu oikein ohjeiden mukaan.
- b. Tarkista säännöllisesti alue jossa laitetta käytetään ja ota pois kivet, tikut, johdot ja kaikki muut vieraan esineet, jotka voivat häiritä toimintaa.
- c. Suorita terien, terien pulttien ja leikkuuyksikön silmämääräinen tarkastus säännöllisin väliajoin varmistaaksesi, että ne eivät ole kuluneet tai vahingoittuneet. Vaihda terät ja kuluneet tai

vahingoittuneet pultit pareittain laitteen tasapainoisuuden säilyttämiseksi.

- d. Kehotusmerkit on sijoitettava laitteen työalueen ympärille jos sitä käytetään julkisilla alueilla tai yleisessä käytössä olevilla alueilla. Merkeissä on luettava: "Varoitus! Automaattinen ruohonleikkuri! Pysy etäällä laitteesta! Valvo lapsia!".

1.1.1. TOIMINTA

Yleistä tietoa

- a. Älä käytä laitetta jos suojukset ovat vioittuneet tai turvalaitteet eivät ole paikalla, esimerkiksi ilman suoja.
- b. Älä laita käsiä tai jalkoja pyörivien osien viereen tai alle. Pysyttele aina loitolla poistoaukosta.
- c. Älä kosketa laitteen liikkuvia osia ennen kuin ne ovat pysähtyneet kokonaan.
- d. Laitteen toiminnan aikana käytä aina tukevia kenkiä ja pitkiä housuja.
- e. Älä koskaan nosta tai kuljeta laitetta kun moottori on käynnissä.
- f. Irrota yksikön deaktivoitilaite:
 - Ennen kuin tukkeuma poistetaan
 - Ennen kuin laite tarkistetaan, puhdistetaan tai sitä käytetään
 - Jos laitteeseen osuu vieras esine, tarkista mahdolliset laitteeseen syntyneet vahingot;
 - Jos laite alkaa täristä oudosti, tarkista se mahdollisten vahinkojen varalta ennen sen uudelleenkäynnistämistä.
- g. Laitteen ollessa toiminnassa, älä jätä sitä valvomatta jos paikalla on kotieläimiä, lapsia tai muita läheisyydessä olevia henkilöitä.

Huolto ja säilytys

- a. Kiristä kaikki mutterit, pultit ja ruuvit kunnolla laitteen turvallisen toiminnan takaamiseksi.
- b. Tarkista robottiruohonleikkuri usein kulumisen tai vaurioitumisen varalta.
- c. Turvallisuussyistä on tarpeen vaihtaa

- kuluneet tai vahingoittuneet osat uusiin.
- d. Varmista, että terät vaihdetaan vain asianmukaisia varaosia käyttämällä.
- e. Varmista, että akut on ladattu käyttämällä valmistajan suosittelemaa oikeaa akkulaturia. Väärinkäyttö voi aiheuttaa sähköiskuja, ylikuumentumista tai syövyttävän akkuhapon vuotoa.
- f. Jos elektrolyytin vuotoa esiintyy pesvedellä/neutralisoivalla aineella ja käänny lääkärin puoleen jos kosketusta esiintyy silmien jne. kanssa.
- g. Laitteen huolto on suoritettava valmistajan ohjeiden mukaisesti.

Jäännösriskit

-Vaikka tuote täyttää kaikki turvallisuusvaatimukset, saattaa silti esiintyä lisäriskejä, jotka johtuvat virheellisestä asennuksesta ja/tai ennalta arvaamattomista tilanteista. Sen vuoksi on välttämätöntä pitää alue, jolla tuote toimii, vapaana esineistä, ihmisistä ja eläimistä ja tiedottaa mahdollisista vaaroista kaikille henkilöille, jotka voivat päästä edes satunnaisesti työskentelyalueelle.

- Ukkosmyrskyn ja salamaniskun uhatessa ja yleisesti ottaen huonojen sääolosuhteiden varalta on suositeltavaa olla käyttämättä tuotetta ja irrottaa rajakaapeli latausalustasta ja kaikki oheislaitteet sähköverkosta. Jos haluat käyttää tuotetta, kytke rajakaapeli uudelleen virtalähteeseen käyttöoppaan ohjeiden mukaisesti.

1.2. TUOTTEEN KUVAUS

Robottiruohonleikkuri on suunniteltu nurmikon leikkaamiseen rajakaapelin rajoittamilla puutarhan alueilla. Toimintaperiaate perustuu satunnaiseen navigointiin. Robottiruohonleikkuri vaihtaa suuntaa kun se havaitsee rajakaapelin tai esteen.

Käyttö mihin tahansa muuhun tarkoitukseen saattaa olla vaarallista ja aiheuttaa vahinkoja henkilöille ja/tai esineille. Sopimattomaksi käytöksi katsotaan (esimerkiksi, mutta ei ainoastaan): aikuisten, lasten tai eläinten kuljettaminen laitteella; itsensä kuljettaminen laitteella; laitteen käyttäminen kuormien vetoon tai työntämiseen; laitteen käyttäminen pensaiden tai muun kuin ruohomaisen kasvillisuuden leikkaamiseen.

TYPE-alusta: SRBW01 on varustettu 3G/4G-moduulilla, jossa on SIM-kortti, ja GNSS-moduulilla, jotka mahdollistavat robottiruohonleikkurin kauko-ohjauksen ja navigoinnin avustustoiminnot.

1.3. SYMBOLIT JA KILVET



VAROITUS:
Lue käyttöohjeet ennen kuin tuote käynnistetään.



VAROITUS:
Esineiden sinkoutumisvaara kehoa kohti. Säilytä turvaetäisyys laitteeseen sen toiminnan aikana.



VAROITUS:
Älä aseta käsiäsi e jalkojasi leikkuuvälineen asennustilaan. Ota pois deaktiivointilaitte ennen kuin laitteessa suoritetaan toimenpiteitä tai sitä nostetaan.



VAROITUS:
Älä aseta käsiäsi e jalkojasi leikkuuvälineen asennustilaan. Älä nouse laitteen päälle.



KIELTO:
Varmista, että laitteen toiminnan aikana työalueella ei ole henkilöitä (ennen kaikkea lapsia, vanhuksia tai liikuntakyvyttömiä) eikä kotieläimiä. Pidä lapsia, kotieläimiä ja muita henkilöitä turvaetäisyydellä kun laite on käynnissä.



KIELTO:
Älä puhdista tai pese laitetta käyttämällä painepesureita.



Laite, jonka eristysluokka on III ja joka saa virtansa akusta (ruohonleikkurirobotti) tai erityisestä virtalähteestä (latausasema ja tukiasema).



Käytä alkuperäistä virtalähdettä, joka vastaa tyyppikilven tietoja.



Tasavirtalähteen symboli.

IPXX

Suojausaste kiintoaineiden ja veden tunkeutumista vastaan.



Sähkö- ja elektroniikkalaiteromu, joka toimitetaan asianmukaisiin laitoksiin kierrätettäväksi ja hävitettäväksi.



Taattu äänitehotaso

1.4. ROBOTTIROUHOONLEIKKURIN PYSÄYTYS JA SAMMUTUS TURVAOLOSUHTEISSA



MÄÄRÄYS:

Sammuta robottiruohonleikkuri aina turvallisten olosuhteiden vallitessa ennen minkä tahansa puhdistus-, kuljetus- ja huoltotoimenpiteen suorittamista.

1. Paina painiketta "STOP" (kuva 1.A) pysäyttääksesi robottiruohonleikkurin turvatailaan ja avaa suojakansi (kuva 1.B).
2. Paina sammutuspainiketta (kuva 1.E) muutamana sekunnin ajan ja odota, että saman painikkeen LED sammuu.
3. Vasta kun led on sammunut (kuva 1.E), ota turva-avain pois (kuva 1.D) robottiruohonleikkurin sammuttamiseksi turvaolosuhteissa.
4. Robottiruohonleikkuri on pysäytetty tai sammutettu turvatailaan.

2. ASENNUS



VAROITUS:

Älä muuta, peukaloï, kytke pois tai irrota asennettuja turvalaitteita.

HUOMAUTUS: Tuotteen asennukseen liittyviä lisätietoja varten ota yhteys STIGA-jälleenmyyjään.

KOMPONENTIT ASENNUSTA VARTEN (kuva 2)

(A) Latausalusta, (B) virtalähde, (C) rajakaapeli, (D) rajakaapelin kiinnitystapit, (E) latausalustan kiinnitysruuvit, (F) rajakaapelin liitos, (G) latausalusta liittimet.

2.1. ASENNUKSEEN LIITTYVIEN VAATIMUSTEN TARKASTUS

2.1.1. PUUTARHAN TARKASTUS:

- Tarkista puutarhan tila luvussa 1 osoitettujen ohjeiden mukaan.
- Tasoita maa siten, että lätäkkojã ei pääse syntymään sateen jälkeen.

2.1.2. LATAUSASEMAN JA VIRTALÄHTEEN ASENNUS:



SÄHKÖVAARA:

Valmistele pistorasia, joka on maassa voimassa olevien lakien mukainen.



SÄHKÖVAARA:

Toimitettua piiriã tulee suojata vikavirtasuojakytkimellä (RCD), jonka laukeamisnopeus ei ylitã 30 mA.



SÄHKÖVAARA:

Älä liitä virtalãhdettä pistorasiaan jos pistoke tai johto on vahingoittunut.

Älä liitä äläkã kosketa vahingoittunutta johtoa ennen kuin se kytketään irti virransyötöstã. Vahingoittunut johto saattaa aiheuttaa kontaktin jännitteen alaisten osien kanssa.

1. Valmistele nurmikon reunaan tasainen alue latausalustan asemointia varten
2. Varmista, että alustan etãisyys mahdollisista kãanteistã on vähintään 200 cm.



VAROITUS:

Virtakaapelin, virtalãhteen, jatkojohdon ja kaikkien muiden sähköjohtojen, jotka eivät kuulu tuotteeseen, on jãätãvã leikkuaalueen ulkopuolelle, jotta niitä voitaisiin pitãã kaukana liikkuvista vaarallisista osista ja vahinkojen syntymistã voitaisiin estãã johdoille, jotka voivat joutua kosketuksiin jãnnitteisten osien kanssa.

3. Valmistele virtalãhteen asennusalue siten, että se ei missããän ilmasto-olosuhteessa päädy veden alle. Asenna se mieluummin suljettuun tilaan ja suojaan ilmastollisilta tekijõiltã sekä asentoon, johon valtuuttamattomat henkilõit eivät pääse helposti.

2.1.3. ENSISIJAISET TARKASTUKSET RAJAKAAPELIN ASENNUKSEEN:

1. Tarkista, että työalueen maksimaalinen kaltevuus on 45 % tai 50 % tai alle, mallin mukaan (ks. kappale 7 TEKNISET TIEDOT) ja noudata kuvassa 3 esitettyã sääntõjã.



VAROITUS:

Robottivoileikatapintojajoiden maksimaalinen kaltevuus on 45 % tai 50 % mallin mukaan. Jos ohjeita ei noudateta, robotti voi liukua ja poistua työalueelta



VAROITUS:

Alueita joilla esiintyy sallittuihin nãhden suurempia kaltevuuksia ei ole mahdollista leikata. Asenna rajakaapeli nãin ollen ennen rinnettã eristãmãllã kyseinen nurmikkoalue.

2. Tarkista koko tyõpinta: arvioi esteet ja työalueelta poissuljettavat alueet, jotka on rajoitettava rajakaapelilla.

2.2. RAJAKAAPELIN ASENNUSKRITEERIT

Seuraavassa annetaan rajakaapelin asennuskriteerit, yksityiskohtaisempia tietoja varten tutustu täydelliseen ohjekirjaan.

MINIMIETÄISYYDET		
RAKENTEELLINEN ELEMENTTI	KAAPELIN ASENNUKSEN MINIMI-ETÄISYYS VERRATTUNA RAKENTEELLISEEN ELEMENTTIIN	
	TYYPPI:	SRSW01
Laatoitus tai tie nurmikon kanssa samalla tasolla	5 cm	5 cm
Oja, seinã tai aita	35 cm	45 cm
Pensas tai kasvi jossa ulostyõntyvãt juuret	30 cm	40 cm

Uima-allas, nurmikon tasolla oleva lampi, suojaamatton julkinen tie	90 cm	100 cm
Uima-allas tai mäen alla oleva tie	150 cm	150 cm

ESTEIDEN RAJOITUSTYYPIT		
RAJAKAAPELINKAHDENERIOSANVÄLISELLÄ REITILLÄ		
TYYPPI:		
SRSW01	SRBW01	
X _≥ 70 cm (kuva 4)	X _≥ 90 cm (kuva 4)	Estettä voidaan rajoittaa asettamalla rajakaapelin osat päällekkäin sekä meno- että paluusuunnassa asettamatta niitä kuitenkaan ristiin.
X < 70 cm (kuva 5)	X < 90 cm (kuva 5)	Este voidaan rajata siten, että paluukaapelin kahden osan välinen etäisyys on vähintään Y = 30 cm. Jos este on riittävän vahva, se voidaan jättää suojaamatta.

REITIT PUUTARHAN ERI ALUEIDEN VÄLILLÄ		
KÄYTÄVÄN LEVEYS Z		
TYYPPI:		
SRSW01	SRBW01	
Z _≥ 70 cm (kuva 6)	Z _≥ 90 cm (kuva 6)	Robottiruohonleikkuri voi saavuttaa alueen (kuva 6.A).
Z < 70 cm (kuva 6)	Z < 90 cm (kuva 6)	Robottiruohonleikkuri ei voi saavuttaa aluetta (kuva. 6.A) ja sitä on pidettävä ”Suljettuna alueena”.



HUOMIO:
Käyttöalue ja yleensä alueet, joilla robottiruohonleikkuri voi liikkua, on rajattava aidalla, jota ei voi ylittää.
Tee aidasta sopiva tai valvo robottiruohonleikkuria toiminnan aikana.

2.3. KOMPONENTTIEN ASENNUS



SÄHKÖVAARA:
Käytä vain valmistajan toimittamia akkulateureita ja virtalähteitä. Vääränlainen käyttö voi aiheuttaa sähköiskuja ja/tai ylikuumenemistä.



HUOMIO:
Käsien leikkautumisvaara
Käytä suojakäsineitä välttääksesi käsien haavoittumista.



HUOMIO:
Silmiin joutuvasta pölystä syntyvä vaara.
Käytä suojalaseja välttääksesi pölyn joutumista silmiin.



SÄHKÖVAARA:

Liitä virransyöttö vasta kaikkien asennustoimenpiteiden jälkeen. Jos tarpeen, kytkä yleinen virransyöttö pois päältä asennuksen aikana.

2.3.1. RAJAKAAPELIN ASENNUS

ASEMOINTI KIINNITYSTAPEILLA

- Sijoita rajakaapeli alkaen latausalustan asennusalueelta.
- Aseta kaapeli paikalleen koko reitin pituudelle ja kiinnitä se asianmukaisilla kiinnitystapeilla (kuva 7.B), jotka on sijoitettu noin 100 cm:n välein toisistaan, ja noudata annettuja asennusvaatimuksia (ks. kohta 2.2).
- Jätä 2 m ylimääräistä kaapelia leikataksesi sen myöhemmin oikeaan mittaan liittännän loppuvaiheessa.
- Sijoita kaapeli käännteissä siten, että käänteen säde on noin 20 cm (kuva. 7.A).

KEHÄKAAPELIN KOKONAISPI-TTUUS ASENNUKSEN KANSSA YHTEENSOPIVAT STIGA-KAAPELIT		
< 400 m	Koodi 1127--0000-01	Kela 150 m, Ø 2,7 mm
	Koodi 1127-0001-01	Kela 300 m, Ø 2,7 mm
	Koodi 1127-0002-01	Kela 500 m, Ø 3,4 mm
	Koodi 1127-0003-01	Kela 1000 m, Ø 3,4 mm
≥ 400 m ja enintään 1000 m	Koodi 1127-0002-01	Kela 500 m, Ø 3,4 mm
	Koodi 1127-0003-01	Kela 1000 m, Ø 3,4 mm



VAROITUS:

Varmista, että kaapeli on kosketuksessa maahan sen koko reitin pituudella, jotta voitaisiin estää, että robottiruohonleikkuri vahingoittaa sitä.

HUOMAUTUS: Asennusta varten käytetyn rajakaapelin tulee olla pituudeltaan vähintään 40 m. Jos kaapelin pituus on lyhyempi, asenna pienille alueille tarkoitettu vastus koodi 122063053/0. Tutustu täydelliseen ohjekirjaan.

2.3.2. LATAUSALUSTAN ASENNUS

Asenna latausalusta rajakaapeliin nähden samansuuntaisesti siten, että robotti pääsee sen päälle navigoimalla myötäpäivään pitkin rajakaapelia.

- Tarkista asennukseen liittyvät vaatimukset, kuten on osoitettu kappaleessa 2.2.
- Jos tarpeen, valmistelee maaperä siten, että latausalustan pinta on samalla tasolla nurmikon kanssa. Maaperän tulee olla täysin tasainen ja tiivis siten, että latausalustan tason muodonmuutosta voitaisiin estää.
- Ota kanssi pois (kuva 8.C).
- Aseta latausalustarajakaapeliin nähden samansuuntaisesti (kuva 8.D2) siten, että robotti pääsee sen päälle

navigoimalla myötöpäivään pitkin rajakaapelia.

- Aseta kaapelin kaksi päätä asianmukaisiin reitteihin (kuva 8.E2).
- Leikkaa kaapeleiden päät oikeaan mittaan.
- Kiinnitä itseporautuvat liittimet kaapeliin (kuva 9.F), (kuva 9.G), (kuva 9.H).
- Liitä liittimet kiinnitysnapoihin (kuva 8.I).
- Kiinnitä latausalusta (kuva 10.L) maahan kiinnitysruuveilla (kuva 10.M).
- Aseta kansi takaisin paikoilleen (kuva 10.C).
- Liitä virtälähde latausasemaan ja ruuvaa liitin.
- Liitä virtälähteen pistoke pistorasiaan.
- Kun robottiruohonleikkuri ei ole latausasemalla tarkista, että latausaseman merkkivalo (kuva 10.N) palaa tasaisesti (ks. luku 3.3).

2.4. LATAA ROBOTTIROUHOHLEIKKURI ASENNUKSEN JÄLKEEN

Kun akkuja ladataan ensimmäistä kertaa, niitä on ladattava vähintään 2 tuntia.

2.5. TUOTTEEN ASETUKSET

Robottiruohonleikkurin automaattinen toiminta vaatii asetusarjaa, jotka voidaan suorittaa kannettavan laitteen (älypuhelin) iOS tai Android kautta "STIGA Go"-sovellus asennettuna.

HUOMAUTUS: Käytettävissä olevien toimintojen yksityiskohtaisempaa kuvausta varten, tutustu täydelliseen ohjekirjaan.

3. TOIMINTA

3.1. ROBOTTIROUHOHLEIKKURIN MANUAALINEN TOIMINTA

Robottiruohonleikkuria voidaan käyttää suorittamatta kuvattua ohjelmointia (ks. kappale 2.5). Tässä tavassa robottiruohonleikkuri suorittaa työjakson, palaa latausasemaan ja jää sinne seuraavaa manuaalista käynnistystä varten.

- Aseta robottiruohonleikkuri latausasemalle tai joka tapauksessa asennusalueen sisälle.
- Paina painiketta "STOP" (kuva 1.A) ja avaa suojuus (kuva 1.B) ja mene ohjauskonsolille (kuva 1.C).
- Paina painiketta "ON/OFF" (kuva 1.E) 5 sekunnin ajan robottiruohonleikkurin käynnistämiseksi.
- Paina painiketta "TOIMINTATAVAN VALINTA" (kuva 1.F), kunnes pelkkä kuvake (kuva 1.L) vilkkuu.
- Paina painiketta "VAHVISTA" (kuva 1.G). Kuvake (kuva 1.L) syttyy palamaan kiinteällä valolla toimenpiteen vahvistamiseksi.
- Sulje suojakansi (kuva 1.B). Robottiruohonleikkuri alkaa työskennellä.

HUOMAUTUS: Tämä toimintatapa ei välttämättä takaa piha-alueen riittävää kattavuutta, mitä tarvittavaan aikaan ja leikkuutuloksen yhdenmukaisuuteen tulee, erityisesti jos kyseessä on muodoltaan epäsäännöllinen nurmikko. Robottiruohonleikkurin maksimaalisen tehokkuuden saavuttamiseksi on suositeltavaa suorittaa ohjelmointi (ks. kappale 2.5).

3.2. ROBOTTIROUHOHLEIKKURISSA OLEVIEN OHJAUSTEN KUVAUS

Luettelo ohjauksista, merkkivaloista ja niiden toiminta:

- Painike "STOP" (kuva 1.A): sitä käytetään robottiruohonleikkurin turvapäysäytystä varten.
- "TURVA-AVAIN" (kuva 1.D): sitä käytetään robottiruohonleikkurin turvallista sammuttamista varten.
- Paina painiketta "ON/OFF" (kuva 1.E): sitä käytetään robottiruohonleikkurin käynnistämiseen ja sammuttamiseen ja hälytysten nollaamiseen.
- Painike "TOIMINTATAVAN VALINTA" (kuva 1.F): sitä käytetään robottiruohonleikkurin toimintatavan valintaan ja paluun pakottamiseen latausalustalle.
- Painike "VAHVISTA" (kuva 1.G): sitä käytetään vahvistamaan valittu toimintatapa.
- Palava kuvake "OHJELMOITU OHJELMA" (kuva 1.I): sitä käytetään visualisoimaan ohjelmoidun ohjelman asetus.
- Palava kuvake "YKSITTÄINEN TYÖJAKSO" (kuva 1.L): sitä käytetään visualisoimaan yksittäisen työjakson asetus.
- Palava kuvake "PALUU ALUSTALLE" (kuva 1.H): sitä käytetään pakotettuun palaamiseen robottiruohonleikkurin alustalle.
- Painiketta "BLUETOOTH" (kuva 1.M): Huoltokeskus käyttää sitä vain diagnostiikkatarkoituksiin.
- Palava kuvake "HÄLYTYS" (kuva 1.N): sitä käytetään hälytystilojen visualisointiin.
- Palava kuvake "AKKU" (kuva 1.O): sitä käytetään visualisoimaan akun lataustilaa.

HUOMAUTUS: Käytettävissä olevien toimintojen yksityiskohtaisempaa kuvausta varten, tutustu täydelliseen ohjekirjaan.

3.3. LATAUSALUSTAN ASENNUS

Latausalustassa on merkkivalo (kuva. 10.N), joka syttyy alla olevan kuvan mukaisesti:

- Merkkivalo sammunut: latausasemaan ei syötetä virtaa tai robotti on asemalla.
- Merkkivalo palaa kiinteänä: rajakaapeli on yhdistetty oikein latausasemaan ja rajasignaalia lähetetään oikein.
- Merkkivalo vilkkuu hitaasti: rajakaapeli ei ole yhdistetty tai se on katkennut.
- Merkkivalo vilkkuu nopeasti: rajakaapeli on liian lyhyt tai latausalustassa on vika.

3.4. AKUN LATAAMINEN

Menettelyn "AKUN LATAAMINEN" avulla robottiruohonleikkuri voidaan ladata manuaalisesti.

- Sijoita robottiruohonleikkuri latausalustalle (kuva 11.R).
- Anna robottiruohonleikkurin kulkea latausalustalla, kunnes se kytkeytyy latausliittimeen (kuva 11.S).
- Paina painiketta "STOP" (kuva 11.A) ja avaa suojuus (kuva 11.B) ja mene ohjauskonsolille (kuva 11.C).
- Käynnistä robottiruohonleikkuri näppäimen "ON/OFF" avulla (kuva 11.E).
- Palava kuvake "AKKU" (kuva 11.L) vilkkuu, robottiruohonleikkuri on latauksessa.
- Sulje suojakansi (kuva 11.B).
- Jätä robottiruohonleikkuri lataukseen vähintään kappaleessa 2.4 osoitetuksi ajaksi.

HUOMAUTUS: Akun lataus ennen sen talvisäilytystä on suoritettava kappaleessa 4.3 osoitetulla tavalla.

3.5. LEIKKUUKORKEUDEN SÄÄTÖ

ALUSTATYYPPI SRSW01 - MANUAALINEN SÄÄTÖ

1. Sammuta robottiruohonleikkuri ja aseta se turvatilaan (ks. kappale 1.4).
2. Käytä korkeussäädintä (kuva 12.P) halutun leikkuukorkeuden valitsemiseksi siten, että leikatun ruohon osa ei ylitä 10 mm.

HUOMAUTUS: Robottiruohonleikkurin leikkaaman ruohon osa ei saa ylittää 10 mm.

ALUSTATYYPPI SRBW01 - SÄHKÖINEN SÄÄTÖ

Leikkuukorkeuden säätämiseksi, noudata SOVELLUSOHJELMASSA annettua menetelmää.

Terän korkeuden säätöjärjestelmä vaatii alkukalibroinnin ja automaattisesti suoritettavat määräaikaikalibroinnit. Kalibrointi voidaan suorittaa myös manuaalisesti sovelluksen omasta valikosta.



HUOMIO:

Älä kosketa leikkuulaitetta leikkuukorkeuden säätövaiheen aikana.

HUOMAUTUS: Robottiruohonleikkurin leikkaaman ruohon osa ei saa ylittää 10 mm.

4. HUOLTO



HUOMIO:

Käytä vain alkuperäisiä varaosia.



HUOMIO:

Älä muuta, peukaloi, kytke pois tai irrota asennettuja turvalaitteita.



HUOMIO:

Käsien leikkautumisvaara
Käytä suojakäsineitä välttääksesi käsien haavoittumista.



HUOMIO:

Silmiin joutuvasta pölystä syntyvä vaara.
Käytä suojalaseja välttääksesi pölyn joutumista silmiin.



VAROITUS:

Liiallisen veden käyttö voi aiheuttaa veden tunkeutumista sisään ja sähköosien vahingoittumista.



KIELTO:

Älä käytä paineistettuja vesisuihkeita.



KIELTO:

Estääksesi sähkö- ja elektronisten osien vahingoittumista korjauskelvottomaksi, älä upota robottia osittain tai kokonaan veteen.



KIELTO:

Älä pese robottiruohonleikkurin sisäisiä osia estääksesi sähkö- ja elektronisten osien vahingoittumista.



KIELTO:

Älä käytä liuottimia tai bensiiniä estääksesi maalipintojen ja muoviosien vahingoittumista.

4.1. OHJELMOITU HUOLTO

Paremmen toiminnan ja pitkäaikaisemmän kestävyyskannalta varmistaa, että tuote puhdistetaan säännöllisesti ja kuluneet osat vaihdetaan.

Suorita toimenpiteet taulukossa osoitetulla tiheydellä.

TIHEYS	OSA	TOIMENPIDETYYPPI
Viikoittain	Terä	Puhdista ja tarkista terän tehokkuus. (ks. kappale 4.2) Jos terä on taipunut siihen syntyneen iskun takia tai sen on kulunut, vaihda se uuteen. (ks. kappale 4.2)
	Latauskoskettimet	Puhdista ja poista mahdolliset hapettumat. (Katsota täydellinen ohjekirja)
Kuukausittain	Robottiruohonleikkuri	Suorita puhdistus. (Katsota täydellinen ohjekirja)
	Latausasema ja virtajohdot	Tarkista kuluma tai vahingoittuminen ja, jos tarpeen, vaihda ne. (Katsota täydellinen ohjekirja)
Leikkuukauden lopussa tai puolivuosittain jos robottiruohonleikkuria ei käytetä	Akku	Suorita akun esisäilytykseen liittyvä lataus. (ks. kappale 4.3)
Vuosittain tai leikkuukauden lopussa	Robottiruohonleikkuri	Suorita huoltotarkastus valtuutetussa huoltokeskuksessa. (ks. kappale 4.1)

Suorita huoltotarkastus vuosittain valtuutetussa huoltokeskuksessa säilyttääksesi robottiruohonleikkurin hyvässä toimintakunnossa.

HUOMAUTUS: Mahdolliset viat jotka johtuvat vuositarkastuksen suorittamatta jättämisestä, eivät kuulu takuun piiriin.

4.2. LEIKKUUTERÄN VAIHTO

1. Sammuta robottiruohonleikkuri ja aseta se turvatilaan (ks. kappale 1.4).
2. Käännä robottiruohonleikkuri ylösalaisin varomalla vahingoittamasta kelluvaa kantta.
3. Ruuvaa auki kiinnitysruuvit (kuva 14.E).
4. Vaihda leikkuuterät (kuva 14.D).
5. Kiristä kiinnitysruuvit (kuva 14.E).

4.3. AKUN TALVIHUOLTO JA -SÄILYTYS

1. Lataa akku sovellusohjelmassa annetun ohjatun menettelyn mukaan, johon päästään sivulta "Asetukset".
2. Puhdista robottiruohonleikkuri (ks. täydellinen ohjekirja)
3. Säilytä robottiruohonleikkuria kuivassa tilassa suojassa jäätymiseltä ja varmista että se on sammutettu.

HUOMAUTUS: Yksityiskohtaisempia tietoja talvella suoritettavaa latausmenettelyä varten, tutustu täydelliseen ohjekirjaan.

HUOMAUTUS: Latauksen rekisteröimättä jättäminen sovellusohjelmassa olevan menettelyn kautta on tarpeen akun takuun voimassaolon kannalta.

5.2. VARASTOINTI

Robottiruohonleikkuria on varastoitava vaakasuorassa asennossa kuivassa tilassa ja jäätymiseltä suojattuna kun puhdistus ja akun talvilataus on suoritettu (ks. luku 4). Irrota latausalusta sähköverkosta pitkien käyttämättömyysjaksojen ajaksi.

4.4. AKUN VAIHTO

Akun vaihto kuuluu yksinomaan STIGAN TEKNISEN HUOLTOHENKILÖSTÖN tehtäväksi.

Jos akku joudutaan vaihtamaan, ota yhteys huoltokeskukseen tai omaan jälleenmyyjään.

5. KULJETUS, VARASTOINTI JA HÄVITYS

5.1. KULJETUS

HUOMAUTUS: Käytä kuljetusta varten alkuperäistä pakkausta jos kyseessä ovat pitkät matkat.

1. Sammuta robottiruohonleikkuri ja aseta se turvatilaan (ks. kappale 1.4).
2. Puhdista robottiruohonleikkuri (ks. täydellinen ohjekirja).
3. Nosta robottiruohonleikkuria asianmukaista kahvaa (kuva 15.D) käyttämällä ja kuljeta sitä varovaisesti pitämällä leikkuuterää loitolla kehosta.



HUOMIO:

Akun irrottamista varten robottiruohonleikkurista, käänny valtuutetun huoltokeskuksen puoleen.

1. Hävitä tuotepakkaus kestäväällä tavalla tarkoituksenmukaisissa keräysastioissa tai valtuutetuissa keräyspisteissä.
2. Hävitä robottiruohonleikkuri paikallisten lakiasetusten asettamien vaatimusten mukaisesti.
3. Käänny asianmukaisten kierrätyspisteiden ja jätteenhuoltoliikkeiden puoleen, sillä robottiruohonleikkuri on luokiteltu WEEE-direktiivin mukaan (sähkö- ja elektroniikkalaiteromu).
4. Hävitä vanhat tai loppuun kuluneet akut kestäväällä tavalla tarkoituksenmukaisissa keräysastioissa tai valtuutetuissa keräyspisteissä.

6. VIANETSINTÄ



HUOMIO:

Pysäytä robottiruohonleikkuri ja aseta se turvatilaan (ks. kappale 1.4).

Seuraavassa annetaan luettelo mahdollisista toimintahäiriöistä, jotka voivat esiintyä työvaiheessa.

VIKA	SYYT	KORJAUSTOIMENPITEET
Epätavallista tärinää. Robottiruohonleikkuri on meluisa.	Levy tai leikkuuterä on vahingoittunut.	Vaihda vahingoittuneet osat (ks. kappale 4.2).
	Leikkuuväline jumittunut jäämien vuoksi (hihnat, narut, muovipalat tms.).	Sammuta robottiruohonleikkuri ja aseta se turvatilaan (ks. kappale 1.4). Vapauta leikkuuterä.
	Robottiruohonleikkurin käynnistyminen on tapahtunut kun paikalla on odottamattomia esteitä (pudonneet oksat, paikalle unohtuneet esineet jne.).	Sammuta robottiruohonleikkuri ja aseta se turvatilaan (ks. kappale 1.4). Poista esteet ja käynnistä robottiruohonleikkuri uudelleen.
	Vika sähkömoottorissa.	Vaihda moottori, käänny lähimmän valtuutetun huoltokeskuksen puoleen.
	Ruoho liian korkea.	Lisää leikkuukorkeutta (ks. kappale 3.5). Leikkaa alue ennakkoon tavallisella ruohonleikkurilla.
Robottiruohonleikkuri ei asetu oikein latausasemalle.	Rajakaapelin virheellinen asento.	Tarkista latausaseman liitäntä (ks. kappale 2.3.2).
	Maan vajoaminen lähellä latausasemaa.	Palauta latausaseman oikea asento. (ks. kappale 2.3.2).
Robottiruohonleikkuri toimii omituisella tavalla rajattujen esteiden ympärillä.	Rajakaapeli on asetettu väärin.	Asemoi rajakaapeli oikein (myötäpäivään) (ks. kappale 2.3.1).
Latausaseman merkkivalo ei syty palamaan kun robotti on pois latausasemalta.	Virta puuttuu tai latausasemassa on vika.	Tarkista syöttölaitteen oikea liitäntä pistorasiaan. Tarkista syöttölaitteen liitäntäkaapelin kunto.
Latausalustan merkkivalo syttyy vilkkumaan hitaasti.	Rajakaapeli ei ole yhdistetty tai se on katkennut	Tarkista asennus ja korjaa vika (ks. kappale 2.3)
Latausalustan merkkivalo syttyy vilkkumaan nopeasti.	Rajakaapeli on liian lyhyt tai latausalustassa on vika.	Tarkista, että rajakaapelin pituus on pidempi kuin kappaleessa 2.3.2 on osoitettu. Jos ongelma jatkuu ota yhteyttä huoltokeskukseen.
Näppäimistöllä palaa kuvake Warning	Se ilmoittaa toimintahäiriöstä/viasta.	Katso sovellusohjelmasta lisätiedot tai viittaa täydelliseen ohjekirjaan.

7. TEKNISET TIEDOT

TIEDOT	TYYPPI: SRSW01 (katso tuotetarra)	TYYPPI: SRBW01 (katso tuotetarra)
Mitat (LxKxS)	413 x 252 x 560 [mm]	529 x 299 x 695 [mm]
Robottiruohonleikkurin paino	Se riippuu mallista: 7,9 [kg] - 8,2 [kg] (*) (Epävarmuus +/-0,1 [kg])	Se riippuu mallista: 12,8 [kg] - 13,5 [kg] (*) (Epävarmuus +/-0,1 [kg])
Leikkuukorkeus (Min-Max)	20-60 [mm]	20-65 [mm]
Terän halkaisija	180 [mm]	260 [mm]
Leikkuunopeus	2850 +/-50 [rpm]	2400 +/-50 [rpm]
Liikenopeus	22 [m/min]	Se riippuu mallista: 24 [m/min]; 28 [m/min] (*)
Maksimi kaltevuus	45%	50%
Maksimi kaltevuus reitin pituudella		20%
Leikkuujärjestelmän tyyppi	4 kääntyvää leikkuuterää	6 kääntyvää leikkuuterää
Leikkuuvälineen koodi	322104105/0	
Mitattu äänitehon taso	57 [dB] (A)	56 [dB] (A)
Melupäästöjen epävarmuus, KWA	1,47 [dB] (A)	0,56 [dB] (A)
Taatto äänitehotaso	59 [dB] (A)	57 [dB] (A)
Äänenpainetaso käyttäjän korvassa	46,3 [dB] (A)	45,2 [dB] (A)
Robottiruohonleikkurin IP-luokitus	IPX5	
Latausaseman IP-luokitus	IPX1	
Virtalähteen IP-luokitus	IP67	
Robottiruohonleikkurin ympäristön käyttölämpötila [°C]	0 ÷ 50	
Latausaseman ympäristön käyttölämpötila [°C]	-10 ÷ 50	
Virtalähteen ympäristön käyttölämpötila [°C]	-10 ÷ 50	
Työkapasiteetti	Se riippuu mallista:	Se riippuu mallista:
Virransyöttö	Input: 100-240 Vac, 1,2 A; Lähtö: 30 Vcc, 2 A Käytä jotakin alla olevista alkuperäisistä koodista tai myöhempiä päivityksiä (ota yhteys valtuutettuun STIGA-jälleenmyyjään) 118204158/0 (EU) 118204161/0 (UK) 118204163/0 (CH)	Input: 200-240 Vac, 0,8 A; Lähtö: 30 Vcc, 4 A Käytä jotakin alla olevista alkuperäisistä koodista tai myöhempiä päivityksiä (ota yhteys valtuutettuun STIGA-jälleenmyyjään) 118204159/0 (EU) 118204162/0 (UK) 118204164/0 (CH)
Sallittu 30 Vcc jatkojohdot	Käytä jotakin alla olevista alkuperäisistä koodista tai myöhempiä päivityksiä (ota yhteys valtuutettuun STIGA-jälleenmyyjään) Koodi: 1127-0010-01, pituus 5 m Koodi: 1127-0020-01, pituus 15 m	
Akun malli	Se riippuu mallista: 25,2V - 2Ah; 25,2V - 2,5Ah; 25,2V - 5Ah; 25,2V - 6Ah (*)	Se riippuu mallista: 25,2V - 5Ah; 25,2V - 6Ah; 25,2V - 2x5Ah; 25,2V - 2x6Ah (*)
Latausaika	Se riippuu mallista: 60 [min]; 80 [min]; 150 [min] (*)	Se riippuu mallista: 150 [min]; 180 [min] (*)
Työaika	Se riippuu mallista: 60 [min]; 90 [min]; 150 [min] (*)	270 [min]
Liitettävyyys	Bluetooth®	Bluetooth®, 4G, 3G, GSM
Navigointitekniikka		GNSS

(*) Lisätietoja tietyistä mallista on verkossa saatavilla olevassa täydellisessä ohjekirjassa (katso QR-koodi tämän esitteen ensimmäisellä sivulla).

Kompletní návod k používání je k dispozici:

- ▷ na internetové stránce stiga.com
- ▷ v aplikaci STIGA GO, která je k dispozici v App Store a Google Play
- ▷ naskenováním kódu QR



POZNÁMKA: pokyny uvedené v tomto návodu jsou platné pro všechny modely robotické sekačky s obvodovým drátem. Není-li uvedeno jinak, uvedené obrázky se vztahují na platformu SRSW01.

POZNÁMKA: Tento návod obsahuje základní pokyny týkající se především bezpečnosti. Pro správnou instalaci je třeba si přečíst kompletní návod k použití (viz výše) a pečlivě jej dodržovat.

1. BEZPEČNOST

POVINNOST:

Před použitím si návod pečlivě přečtěte a uschovejte pro budoucí použití.

1.1. BEZPEČNÉ PRACOVNÍ POSTUPY

Školení

- a. Pečlivě si přečtěte pokyny, seznamte se s ovládacími prvky a správným používáním stroje.
- b. Nikdy nedovolte dětem, osobám se sníženými fyzickými, smyslovými nebo mentálními schopnostmi nebo bez zkušeností a znalostí nebo osobám, které nejsou obeznámeny s těmito pokyny, aby stroj používaly. Věk obsluhy mohou omezit místní předpisy.
- c. Provozovatel nebo uživatel je odpovědný za nehody nebo nebezpečí, které mohou vzniknout třetí straně nebo na zařízení třetí strany.

Příprava

- a. Zkontrolujte, zda je systém automatického vymezování obvodu správně nainstalován podle pokynů.
- b. Pravidelně kontrolujte oblast, ve které se stroj používá, a odstraňte kameny, tyče, kabely a jiné cizí předměty, které by mohly bránit provozu.
- c. Pravidelně vizuálně kontrolujte opotřebení nebo poškození nožů, šroubů nožů a sekací jednotku. Opotřeбенé nebo poškozené nože a šrouby vyměňte v pá-

rech, aby bylo zachováno vyvážení stroje.
d. Výstražné značky by měly být umístěny kolem pracovního prostoru stroje, pokud se používá na veřejných místech nebo přístupných veřejnosti. Značky musí obsahovat následující text: „Pozor! Automatická sekačka na trávu! Dodržujte bezpečnou vzdálenost od stroje! Dohlížejte na děti!“

1.1.1. PROVOZ

Všeobecné informace

- a. Neprovozujte stroj s vadnými kryty nebo chybějícími bezpečnostními zařízeními, například bez krytů.
- b. Nepřibližujte ruce a nohy do blízkosti otáčejících se částí. Vždy se zdržujte v dostatečné vzdálenosti od výstupního otvoru.
- c. Nedotýkejte se pohyblivých částí stroje, dokud se úplně nezastaví.
- d. Při práci se strojem vždy noste pevnou obuv a dlouhé kalhoty.
- e. Nezvedejte ani nepřepravujte stroj, je-li motor spuštěný.
- f. Vyjměte deaktivaci zařízení z jednotky:
 - Před odstraněním překážky;
 - Před kontrolou, čištěním nebo prací na stroji,
 - Při zasažení cizím předmětem zkontrolujte případná poškození zařízení;
 - Pokud zařízení začne neobvykle vibrovat, vypněte je a před opětovným uvedením do chodu zkontrolujte případné škody.
- g. Nikdy nenechávejte zařízení v činnosti bez dozoru za přítomnosti domácích zvířat, dětí nebo jiných osob v blízkosti.

Údržba a uschování

- a. Utáhněte všechny šrouby a matice, aby byl stroj v bezpečném provozním stavu.
- b. Často kontrolujte opotřebení robotické sekačky.

- c. Opatřované nebo poškozené součásti je nutné z bezpečnostních důvodů vyměnit.
- d. Ujistěte se, že nože byly vyměněny pouze za vhodné náhradní díly.
- e. Ujistěte se, že jsou akumulátory nabíjené pouze pomocí správné nabíječky doporučené výrobcem. Nevhodné použití může způsobit zásah elektrickým proudem, přehřátí nebo únik korozivních kapalin z akumulátoru.
- f. V případě úniku elektrolytu omyjte vodou/neutralizačním prostředkem a v případě kontaktu s očima vyhledejte lékařskou pomoc atd.
- g. Údržba stroje musí být provedena v souladu s pokyny výrobce.

Zbytková rizika

- I když výrobek splňuje všechna bezpečnostní nařízení, mohou přesto existovat další rizika způsobená nevhodnou instalací a/ nebo nepředvídatelnými situacemi.

Proto je nutné udržovat prostor, ve kterém výrobek pracuje, bez předmětů, osob a zvířat a informovat všechny osoby, které mohou mít, byť jen příležitostně, přístup do pracovního prostoru, o možných nebezpečích.

- V případě bouřky s nebezpečím blesků a obecně při očekávání špatných povětrnostních podmínek se doporučuje výrobek nepoužívat a odpojit obvodový drát od nabíjecí základny a všechna periferní zařízení od elektrické sítě. Pro opětovné používání výrobku znovu připojte obvodový drát a periferní zařízení k elektrické síti podle pokynů uvedených v návodu.

1.2. POPIS VÝROBKU

Robotická sekačka je určena k sekání trávy v oblastech zahrady ohraničených ohraničujícím vodičem.

Princip činnosti je založen na náhodné navigaci. Robotická sekačka mění svou dráhu, jakmile detekuje ohraničující vodič nebo překážku.

Jakákoli jiné použití může být nebezpečné a může způsobit ublížení na zdraví osob a/nebo škody na majetku. Mezi nesprávná použití patří (jako příklad, ale nejen): přeprava osob, dětí nebo zvířat na stroji; nechat se přepravovat strojem; používat stroj k tažení nebo tlačení břemen; používat stroj pro sečení netravnaté vegetace.

Platforma TYPE: Model SRBW01 je vybaven modulem 3G/4G

s kartou SIM a modulem GNSS, které umožňují vzdálené ovládání robotické sekačky a asistenčních funkcí navigace.

1.3. SYMBOLY A ŠTÍTKY



UPOZORNĚNÍ:

Před spuštěním výrobku si přečtěte pokyny pro uživatele.



UPOZORNĚNÍ:

Nebezpečí vymrštění předmětů proti tělu. Během provozu dodržujte bezpečnou vzdálenost od stroje.



UPOZORNĚNÍ:

Ne vkládejte ruce ani nohy do krytu sekacího zařízení.



Před prací na stroji nebo před jeho zvednutím odstraňte deaktivací zařízení.



UPOZORNĚNÍ:

Ne vkládejte ruce ani nohy do krytu sekacího zařízení.



Na stroj nestoupejte.



ZÁKAZ:

Během provozu stroje se ujistěte, že se v pracovní oblasti nenacházejí žádné osoby (zejména děti, starší osoby nebo osoby se zdravotním postižením) a domácí zvířata. Během provozu stroje udržujte domácí zvířata, děti a ostatní osoby v bezpečné vzdálenosti.



ZÁKAZ:

K čištění nebo mytí stroje nepoužívejte vysokotlaké čisticí prostředky.



Zařízení třídy ochrany III, napájené z akumulátoru (robotická sekačka) nebo prostřednictvím příslušného napájecího zdroje (nabíjecí základna a referenční stanice).



Používejte originální napájecí zdroj s parametry uvedenými na identifikačním štítku.



Symbol stejnosměrného napájení.

IPXX

Stupeň krytí proti vniknutí pevných těles a vody.



Odpad z elektrických a elektronických zařízení, určený k předání do příslušných zařízení k recyklaci a likvidaci.



Zaručená úroveň akustického výkonu

1.4. BEZPEČNÉ ZASTAVENÍ A VYPNUTÍ ROBOTICKÉ SEKAČKY



POVINNOST:

Před čištěním, přepravou nebo údržbou robotickou sekačku vždy bezpečně vypněte.

1. Stiskněte tlačítko „STOP“ (obr. 1.A) pro bezpečné zastavení robotické sekačky a otevření ochranného krytu (obr. 1.B).
2. Stiskněte vypínací tlačítko (obr. 1.E) na několik sekund a počkejte, až kontrolka LED stejného tlačítka zhasne.
3. Teprve po zhasnutí kontrolky LED (obr. 1.E) vytáhněte bezpečnostní klíč (obr. 1.D) kvůli bezpečnému vypnutí robotické sekačky.
4. Robotická sekačka je bezpečně zastavená nebo vypnutá.

2. INSTALACE



UPOZORNĚNÍ:

Neprovádějte neoprávněné zásahy do nainstalovaných bezpečnostních zařízení, nevyřazujte je z činnosti ani je neodstraňujte.

POZNÁMKA: Pro získání podrobnějších objasnění o instalaci výrobku se obraťte na prodejce výrobků značky STIGA.

SOUČÁSTI PRO INSTALACI (obr. 2)

(A) Nabíjecí základna, (B) napájecí zdroj, (C) obvodový drát, (D) hřebíky pro upevnění obvodového drátu, (E) šrouby pro upevnění nabíjecí základny, (F) spoj pro obvodový drát, (G) konektory pro nabíjecí základnu.

2.1. KONTROLA POŽADAVKŮ PRO INSTALACI

2.1.1. KONTROLA ZAHRADY:

- Zkontrolujte stav zahrady, jak je uvedeno v kapitole 1.
- Vyrovnajte povrch tak, aby se v po dešti netvořily louže.

2.1.2. KONTROLY K INSTALACI NABÍJECÍ ZÁKLADNY A NAPÁJECÍHO ZDROJE:



NEBEZPEČÍ ÚRAZU ELEKTRICKÝM PROUDEM:

Zásuvka se musí připravit v souladu se zákony platnými v zemi.



NEBEZPEČÍ ÚRAZU ELEKTRICKÝM PROUDEM:

Dodávaný obvod musí být chráněn diferenciálním spínačem (RCD) s aktivním proudem nepřesahujícím 30 mA.



NEBEZPEČÍ ÚRAZU ELEKTRICKÝM PROUDEM:

Napájecí zdroj nepřipojujte do elektrické zásuvky, pokud jsou zástrčka nebo kabel poškozeni.

Poškozený kabel nepřipojujte a nedotýkejte se jej, dokud není odpojen od napájení.

Poškozený kabel může vést ke kontaktu s částmi pod napětím.

1. Na okraji trávníku si připravte si rovnou plochu pro umístění nabíjecí základny
2. Ujistěte se, že vzdálenost základny od případných ohybů je alespoň 200 cm.



UPOZORNĚNÍ:

Napájecí kabel, napájecí zdroj, prodlužovací kabel i jakýkoli jiný elektrický kabel, který není součástí výrobku, musí zůstat na vnější straně prostoru sekání kvůli jejich udržení v bezpeční vzdálenosti od nebezpečných součástí v pohybu a kvůli zabránění poškození kabelů, které by mohlo vést ke styku se součástmi pod napětím.

3. Oblast pro instalaci napájecího zdroje připravte tak, aby za žádných povětrnostních podmínek nemohl být ponořený do vody. Instalaci proveďte pokud možno v uzavřeném prostoru chráněném před povětrnostními vlivy, v místě, které není snadno přístupné neoprávněným osobám.

2.1.3. HLAVNÍ KONTROLY PRO INSTALACI OHRANIČUJÍCÍHO VODIČE:

1. Ověřte, zda je maximální sklon pracovního prostoru menší nebo roven 45 % nebo 50 %, v závislosti na modelu (viz odst. 7 TECHNICKÉ PARAMETRY) a dodržujte pravidla uvedená na obr. 3.



UPOZORNĚNÍ:

Robot může sekat povrchy s maximálním sklonem 45 % nebo 50 %, v závislosti na modelu. Pokud nebudete postupovat podle pokynů, robot by mohl sklouznout a opustit pracovní prostor



UPOZORNĚNÍ:

Oblasti se sklonem vyšším, než jsou jeho přípustné hodnoty, nelze sekat. Proto umístěte ohraničující vodič před svah a vylučte tak nevhodnou plochu ze sekání.

2. Zkontrolujte celý pracovní plochu: zkontrolujte překážky a oblasti, které mají být vyloučeny z pracovní oblasti a musí být vymezeny ohraničujícím vodičem.

2.2. KRITÉRIA PRO INSTALACI OHRANIČUJÍCÍHO VODIČE

Niže jsou uvedena kritéria pro instalaci obvodového drátu; ohledně podrobnějších informací si přečtěte kompletní návod.

MINIMÁLNÍ VZDÁLENOSTI		
KONSTRUKČNÍ PRVEK	MINIMÁLNÍ VZDÁLENOST INSTALACE KABELU VZHLEDEM K KE STRUKTURÁLNÍMU PRVKU	
	TYPE	SRSW01
Dlažba nebo příjezdová cesta na stejné úrovni s trávníkem	5 cm	5 cm
Příkop, zeď nebo zídka	35 cm	45 cm
Živý plot nebo rostlina s výčnělými kořeny	30 cm	40 cm
Bazén, jezírko s přepadem, nechráněná veřejná komunikace	90 cm	100 cm

2.3.1. INSTALACE OHRANIČUJÍCÍHO VODIČE

UMÍSTĚNÍ S KOLÍKY

1. Umístěte ohraničující vodič vycházející z prostoru instalace nabíjecí základny.
2. Umístěte vodič podél celé trasy a připevněte jej prostřednictvím příslušných kolíků (obr. 7.B), vzájemně vzdálených přibližně 100 cm, za dorážení uvedených požadavků pro instalaci (viz odst. 2.2).
3. Nechte 2 m vodiče navíc, které odstříhnete později podle požadované délky.
4. V obloucích umístěte vodič tak, aby poloměr ohybu byl přibližně 20 cm (obr. 7.A).

CELKOVÁ DÉLKA OBVODOVÉHO DRÁTU	DRÁTY STIGA KOMPATIBILNÍ S INSTALACÍ	
< 400m	Kód 1127-0000-01	Kotouč s 150 m drátu Ø 2,7 mm
	Kód 1127-0001-01	Kotouč s 300 m drátu Ø 2,7 mm
	Kód 1127-0002-01	Kotouč s 500 m drátu Ø 3,4 mm
	Kód 1127-0003-01	Kotouč s 1 000 m drátu Ø 3,4 mm
≥ 400 m až max. 1 000 m	Kód 1127-0002-01	Kotouč s 500 m drátu Ø 3,4 mm
	Kód 1127-0003-01	Kotouč s 1 000 m drátu Ø 3,4 mm

**UPOZORNĚNÍ:**

Ujistěte se, že je vodič v kontaktu se zemí po celé trase, aby nedošlo k jeho poškození robotickou sekačkou.

POZNÁMKA: Ohraničující vodič použitý pro instalaci musí být dlouhý alespoň 40 m. Když je délka vodiče menší, je třeba nainstalovat rezistor, kód 122063053/0. Přečtěte si kompletní návod k použití.

2.3.2. INSTALACE NABÍJECÍ ZÁKLADNY

Nabíjecí základnu nainstalujte v ose s ohraničujícím vodičem, aby se k němu robot mohl přiblížit pohybující se podél ohraničujícího vodiče ve směru hodinových ručiček.

1. Zkontrolujte splnění požadavků pro instalaci v souladu s popisem v odst. 2.2.
2. Je-li to nutné, připravte povrch tak, aby nabíjecí základna byla na stejné úrovni s trávníkem. Povrch musí být dokonale vyrovnaný a kompaktní, aby nedošlo k deformaci desky nabíjecí základny.
3. Sejměte kryt (obr. 8.C).
4. Umístěte nabíjecí základnu v ose s ohraničujícím vodičem (obr. 8.D2), aby se k němu robot mohl přiblížit, pohybující se podél ohraničujícího vodiče ve směru hodinových ručiček.
5. Zasuňte dva konce vodiče do příslušných průchodů (obr. 8.E2).
6. Odřízněte konce kabelů na přesnou míru.
7. Na vodič nasadte samoperforační konektory (obr. 9.F, 9.G, 9.H) na doraz.

Bazén nebo silnice na konci svahu	150 cm	150 cm
-----------------------------------	--------	--------

TYPY VYMEZENÍ PŘEKÁŽEK		
PRŮCHOD X MEZI DVĚMA RŮZNÝMI ČÁSTMI OHRANIČUJÍCÍHO VODIČE		
TYPE		
SRSW01	SRBW01	
X ≥ 70 cm (obr. 4)	X ≥ 90 cm (obr. 4)	Překážka může být ohraničena překrytím přímé i zpětné sekce drátu bez toho, aby se vzájemně překřížily.
X < 70 cm (obr. 5)	X < 90 cm (obr. 5)	Překážka může být ohraničena překrytím přímé i zpětné sekce drátu bez toho, aby se vzájemně překřížily. Pokud je překážka dostatečně mohutná, lze ji nechat bez ochrany.

PRŮCHODY MEZI RŮZNÝMI OBLASTMI ZAHRADY		
ŠÍŘKA PRŮCHODU Z		
TYPE		
SRSW01	SRBW01	
Z >= 70 cm (obr. 6)	Z >= 90 cm (obr. 6)	Do prostoru (obr. 6.A) se robotická sekačka může dostat.
Z < 70 cm (obr. 6)	Z < 90 cm (obr. 6)	Do prostoru (obr. 6.A) se robotická sekačka nemůže dostat a je třeba ji považovat za „uzavřený prostor“.

**VAROVÁNÍ:**

Pracovní prostor a obecně prostory, ve kterých se robotická sekačka může pohybovat, musí být ohraničeny nepřekročitelným oplocením. Zajistěte, aby byl plot vhodný, nebo během činnosti dohlížejte na robotickou sekačku.

2.3. INSTALACE KOMPONENT

**NEBEZPEČÍ ÚRAZU ELEKTRICKÝM PROUDEM:**

Používejte pouze nabíječku a napájecí zdroj dodaný výrobcem. Nevhodné použití může způsobit úraz elektrickým proudem a/nebo přehřátí.

**VAROVÁNÍ:**

Nebezpečí pořezání rukou. Abyste zabránili nebezpečí pořezání rukou, používejte ochranné rukavice.

**VAROVÁNÍ:**

Nebezpečí odlektků do očí. Abyste zabránili nebezpečí vniknutí prachu do očí, používejte ochranné brýle.



NEBEZPEČÍ ÚRAZU ELEKTRICKÝM PROUDEM: Elektrické napájení připojte až po dokončení všech instalačních operací. V případě potřeby během instalace vypněte hlavní elektrické napájení.

8. Konektory připojte ke svorkám (obr. 8.I).
9. Připevněte nabíjecí základnu (obr. 10.L) k terénu prostřednictvím upevňovacích šroubů (obr. 10.M).
10. Nasad'te zpět kryt (obr. 10.C).
11. Připojte napájecí zdroj k nabíjecí základně a zašroubujte konektor.
12. Připojte zástrčku napájecího zdroje do elektrické zásuvky.
13. Zkontrolujte, v době, kdy robotická sekačka není v nabíjecí základně, kontrolka na nabíjecí základně (obr. 10.N) svítí stálým světlem (viz kap. 3.3).

2.4. DOBÍJENÍ ROBOTICKÉ SEKAČKY PO INSTALACI

Při prvním nabíjení je třeba nechat akumulátory nabíjet alespoň 2 hodiny.

2.5. NASTAVENÍ PRODUKTU

Automatická činnost robotické sekačky vyžaduje řadu nastavení, která lze provést pomocí mobilního zařízení (smartphone) s operačním systémem iOS nebo Android s nainstalovanou aplikací „STIGA GO“.

POZNÁMKA: Ohledně podrobnějšího popisu dostupných funkcí si přečtete kompletní návod.

3. PROVOZ

3.1. RUČNÍ OVLÁDÁNÍ ROBOTICKÉ SEKAČKY

Robotickou sekačku lze používat bez provedení popsaného programování (viz odst. 2,5). V tomto režimu vykoná robotická sekačka pracovní cyklus, vrátí se do nabíjecí základny a zůstane tam až do následujícího ručního spuštění.

1. Robotickou sekačku umístěte do nabíjecí základny nebo na místo v instalačním obvodu.
2. Stiskněte tlačítko „STOP“ (obr. 1.A) pro otevření krytu (obr. 1.B) a přistupte k ovládacímu panelu (obr. 1.C).
3. Stiskněte tlačítko „ZAP./VYP.“ (obr. 1.E) na 5 sekundy kvůli zapnutí robotické sekačky.
4. Stiskněte tlačítko „VOLBA REŽIMU“ (obr. 1.F) a držte jej stisknuté, dokud nebude blikat pouze ikona (obr. 1.L).
5. Stiskněte tlačítko „POTVRZENÍ“ (obr. 1.G). Ikona (obr. 1.L) se rozsvítí stálým světlem kvůli potvrzení provedení požadované operace.
6. Zavřete kryt (obr. 1.B). Robotická sekačka zahájí svou pracovní činnost.

POZNÁMKA: tento režim by nemusel zaručit dostatečné pokrytí zahrady, a to jak z hlediska požadovaného času, tak z hlediska rovnoměrnosti výsledku sekání, zejména pokud má zahrada nerovnoměrný tvar. Pro dosažení maximální účinnosti robotické sekačky se doporučuje provést její naprogramování (viz odst. 2,5).

3.2. POPIS PŘÍKAZŮ NACHÁZEJÍCÍCH SE NA ROBOTICKÉ SEKAČCE

Seznam příkazů, indikátorů a jejich funkcí:

- Tlačítko „STOP“ (obr. 1.A): slouží bezpečnostnímu zastavení robotické sekačky.
- „BEZPEČNOSTNÍKLÍČ“ (obr. 1.D): slouží k bezpečnostnímu vypnutí robotické sekačky.
- Tlačítko „ZAP./VYP.“ (obr. 1.E): slouží k zapnutí a vypnutí robotické sekačky a k vynulování alarmů.
- Tlačítko „VOLBA REŽIMU“ (obr. 1.F): slouží k volbě

provozního režimu robotické sekačky a pro nucené nastavení návratu na nabíjecí základnu.

- Tlačítko „POTVRZENÍ“ (obr. 1.G): slouží k potvrzení nastaveného provozního režimu.
- Podsvícená ikona „NAPLÁNOVANÝ PROGRAM“ (obr. 1.I): slouží k zobrazení nastavení naplánovaného programu.
- Světelná ikona „SAMOSTATNÝ PRACOVNÍ CYKLUS“ (obr. 1.L): slouží k zobrazení nastavení samostatného pracovního cyklu.
- Podsvícená ikona „NÁVRAT NA ZÁKLADNU“ (obr. 1.H): slouží k zobrazení nastavení nuceného návratu robotické sekačky na nabíjecí základnu.
- Tlačítko „BLUETOOTH“ (obr. 1.M): používá jej výhradně servisní střediska pro diagnostické činnosti.
- Podsvícená ikona „ALARM“ (obr. 1.N): slouží k zobrazení stavů alarmu.
- Podsvícená ikona „AKUMULÁTOR“ (obr. 1.O): slouží k zobrazení nabití akumulátoru.

POZNÁMKA: Ohledně podrobnějšího popisu výše uvedených ovládacích prvků si přečtete kompletní návod.

3.3. PROVOZ NABÍJECÍ ZÁKLADNY

Nabíjecí základna je vybavena kontrolkou (obr. 10.N) s následujícími stavy:

- Zhasnutá kontrolka: nabíjecí základna je vypnutá nebo se robotická sekačka nachází na základně.
- Kontrolka stále svítí: ohraničující vodič je správně připojený k nabíjecí základně a ohraničující signál je správně přenášen.
- Kontrolka pomalu bliká: obvodový drát není připojen nebo je přerušen.
- Kontrolka rychle bliká: ohraničující vodič je příliš krátký nebo nabíjecí základna je poškozená.

3.4. NABÍJENÍ AKUMULÁTORU

Postup „NABÍJENÍ AKUMULÁTORU“ umožňuje ruční nabití robotické sekačky.

1. Umístěte robotickou sekačku na nabíjecí základnu (obr. 11.R).
2. Zasuňte ji po nabíjecí základnu až po zasunutí nabíjecího konektoru (obr. 11.S).
3. Stiskněte tlačítko „STOP“ (obr. 11.A) pro otevření krytu (obr. 11.B) a přistupte k ovládacímu panelu (obr. 11.C).
4. Zapněte robotickou sekačku tlačítkem „ZAP./VYP.“ (obr. 11.E).
5. Svítící ikona „AKUMULÁTOR“ (obr. 11.L) bliká a robotická sekačka se nabíjí.
6. Zavřete kryt (obr. 11.B).
7. Nechte robotickou sekačku nabíjet nejméně po dobu, uvedenou v odst. 2,4.

POZNÁMKA: Nabití akumulátoru před zimním skladováním musí být provedeno podle pokynů, uvedených v odst. 4.3.

3.5. NASTAVENÍ VÝŠKY SEKÁNÍ

PLOŠINA TYPE SRSW01 - MANUÁLNĚ NASTAVITELNÁ

1. Vypněte robotickou sekačku v bezpečném stavu (viz odst. 1.4).
2. Regulátorem výšky (obr. 12.P) zvolte požadovanou výšku sečení, a to tak, aby sečená tráva nebyla vyšší než 10 mm.

POZNÁMKA: Délka části trávy odseknuté robotickou sekačkou nesmí překročit 10 mm.

PLOŠINA TYPE SRBW01 - ELEKTRICKY NASTAVITELNÁ

Při nastavení výšky sekání dodržte postup s průvodcem, uvedený v APLIKACI.

Systém výškového nastavení nože vyžaduje počáteční kalibraci a pravidelné kalibrace, které jsou prováděny automaticky. Kalibraci lze provést také manuálně v aplikaci prostřednictvím speciální nabídky.



VAROVÁNÍ:
Při nastavování výšky sekání se nedotýkejte sekacího zařízení.

POZNÁMKA: Délka části trávy odseknuté robotickou sekačkou nesmí překročit 10 mm.

4. ÚDRŽBA



VAROVÁNÍ:
Používejte pouze originální náhradní díly.



VAROVÁNÍ:
Neprovádějte neoprávněné zásahy do nainstalovaných bezpečnostních zařízení, nevyzoujíte je z činnosti ani je neodstraňujte.



VAROVÁNÍ:
Nebezpečí pořezání rukou.
Abyste zabránili nebezpečí pořezání rukou, použijte ochranné rukavice.



VAROVÁNÍ:
Nebezpečí odletků do očí.
Abyste zabránili nebezpečí vniknutí prachu do očí, použijte ochranné brýle.



UPOZORNĚNÍ:
Použití nadměrného množství vody může způsobit vniknutí vody a poškození elektrických komponent.



ZÁKAZ:
Nepoužívejte proudy vody pod tlakem.



ZÁKAZ:
Aby nedošlo k trvalému poškození elektrických a elektronických komponent, nepoňujte robotickou sekačku, a to ani částečně, do vody.



ZÁKAZ:
Neumývejte vnitřní části robotické sekačky, aby nedošlo k poškození elektrických a elektronických komponent.



ZÁKAZ:
Nepoužívejte rozpouštědla nebo benzin, aby nedošlo k poškození lakovaných povrchů a plastových komponent.

4.1. PLÁNOVANÁ ÚDRŽBA

Pro lepší provoz a delší životnost produktů pravidelně čistěte a vyměňujte opotřebované díly.

Zákroky provádějte s četností uvedenou v tabulce.

ČETNOST	KOMPONENTA	TYP ÚKONU
Týdně	Nůž	Vyčistění a kontrola účinnosti nože (viz odst. 4.2) V případě ohnutí nože v důsledku nárazu nebo v případě jeho nadměrného opotřebení proveďte jeho výměnu (viz odst. 4.2)
	Nabíjecí kontakty	Vyčistěte a odstraňte případné oxidace (viz kompletní návod)
Měsíčně	Robotická sekačka	Očistěte (viz kompletní návod)
	Nabíjecí základna a napájecí kabely	Zkontrolujte opotřebení nebo poškození a v případě potřeby je vyměňte. (viz kompletní návod)
Na konci sezóny sečení nebo každých šest měsíců, pokud se robotická sekačka nepoužívá	Akumulátor	Dobijte před uskladněním akumulátoru (viz odst. 4.3)
Každoročně nebo na konci sezóny sečení	Robotická sekačka	Servisní prohlídku nechte provést v autorizovaném servisním středisku (viz odst. 4.1)

Každý rok je třeba provést servisní prohlídku v autorizovaném servisním středisku kvůli udržování robotické sekačky v dobrém provozním stavu.

POZNÁMKA: v rámci záruky nebude uznána porucha způsobená neprovedením servisní prohlídky.

4.2. VÝMĚNA SEKKACÍCH NOŽŮ

1. Vypněte robotickou sekačku v bezpečném stavu (viz odst. 1.4).
2. Otočte robotickou sekačku spodní stranou vzhůru, přičemž dejte pozor, abyste nepoškodili plovoucí kryt.
3. Vyšroubujte upevňovací šrouby (obr. 14.E).
4. Vyměňte sekací nože (obr. 14.D).
5. Utáhněte upevňovací šrouby (obr. 14.E).

4.3. ZIMNÍ ÚDRŽBA AKUMULÁTORU A USKLADNĚNÍ

1. Akumulátor nabijte podle průvodce v aplikaci, který je přístupný na stránce „Nastavení“.
2. Vyčistěte robotickou sekačku (viz kompletní návod).
3. Robotickou sekačku uchovávejte na suchém místě, chráněném před mrazem, a ujistěte se, že je vypnutá.

POZNÁMKA: Ohledně podrobnějších informací o postupu nabíjení v zimě si přečtěte kompletní návod.

POZNÁMKA: Registrace nabíjení pomocí postupu v aplikaci je nutná pro zachování platnosti záruky na akumulátor.

4.4. VÝMĚNA AKUMULÁTORU

Výměnu akumulátoru smí provádět pouze PERSONÁL TECHNICKÉ PODPORY SPOLEČNOSTI STIGA.

Pokud je nutné akumulátor vyměnit, obraťte se na servisní středisko nebo prodejce.

5. PŘEPRAVA, USKLADNĚNÍ A LIKVIDACE 5.3. LIKVIDACE

5.1. PŘEPRAVA

POZNÁMKA: Pro přepravu na velké vzdálenosti se doporučuje použít původní obal.

1. Vypněte robotickou sekačku v bezpečném stavu (viz odst. 1.4).
2. Vyčistěte robotickou sekačku (viz kompletní návod).
3. Zvedněte ji za příslušnou rukojeť (obr. 15D) a přeneste ji; dávejte přitom pozor na udržování sekacího nože v dostatečné vzdálenosti od těla.

5.2. USKLADNĚNÍ

Robotická sekačka musí být uskladněna ve vodorovné poloze na suchém místě a mimo dosah mrazu, po očištění a po zimmím nabití akumulátoru (viz kap. 4). Během dlouhých období nečinnosti odpojte nabíjecí základnu od elektrické sítě.

6. ŘEŠENÍ PROBLÉMŮ



VAROVÁNÍ:

Zastavte robotickou sekačku a uveďte ji do bezpečného stavu (viz odst. 1.4).

Níže je uveden seznam možných poruch, které se mohou vyskytnout během provozu.

ZÁVADA	PŘÍČINY	ŘEŠENÍ
Abnormální vibrace. Robotická sekačka je hlučná.	Poškozený sekací kotouč nebo nož	Vyměňte poškozené součásti (viz odst. 4.2).
	Sekací zařízení je zanesené zbytky (pásky, šňůrky, plastové úlomky apod.).	Vypněte robotickou sekačku v bezpečném stavu (viz odst. 1.4). Odjistěte sekací nůž.
	Při uvedení robotické sekačky do provozu se nečekaně vyskytly překážky (spadlé větve, zapomenuté předměty apod.).	Vypněte robotickou sekačku v bezpečném stavu (viz odst. 1.4). Odstraňte překážky a restartujte robotickou sekačku.
	Porucha elektromotoru.	Vyměňte motor a obraťte se na nejbližší autorizované servisní středisko.
	Příliš vysoká tráva.	Zvyšte výšku sekání (viz odst. 3.5). Plochu nejdříve posečte běžnou sekačkou.
Robotická sekačka se správně neumísť do nabíjecí stanice.	Chybné umístění ohraničujícího vodiče.	Zkontrolujte připojení nabíjecí základny (viz odst. 2.3.2).
	Pokles terénu v blízkosti nabíjecí základny.	Přesuňte nabíjecí základnu do správné polohy (viz odst. 2.3.2).
Robotická sekačka se chová abnormálně kolem překážek po obvodu.	Chybně položený ohraničující vodič.	Umístěte správně ohraničující vodič (ve směru hodinových ručiček) (viz odst. 2.3.1).
Kontrolka nabíjecí základny se nerozsvítí, je-li robot mimo nabíjecí základnu.	V nabíjecí základně chybí napájecí napětí nebo došlo k poruše na nabíjecí základně.	Zkontrolujte správné připojení do elektrické zásuvky napájecího zdroje. Ověřte neporušenost kabelu pro připojení napájecího zdroje.
Kontrolka nabíjecí základny začne pomalu blikat	Ohraničující vodič není připojený nebo je přerušovaný	Ověřte instalaci a opravte poškození (viz odst. 2,3)
Kontrolka nabíjecí základny začne rychle blikat	Ohraničující vodič je příliš krátký nebo nabíjecí základna je poškozená.	Zkontrolujte, zda je délka ohraničujícího vodiče větší, než je uvedeno v odst. 2.2.3. V případě přetrvávání problému se obraťte na servisní středisko.
Na klávesnici svítí ikona Výstraha	Označuje stav poruchy/poškození.	Ohledně podrobnějších informací použijte aplikaci nebo si přečtěte kompletní návod.



VAROVÁNÍ:

K odstranění akumulátoru se obraťte na autorizované servisní středisko.

1. Obal produktu zlikvidujte udržitelným způsobem ve vhodných sběrných nádobách nebo jej odevzdejte do příslušných středisek autorizovaných pro sběr.
2. Robotickou sekačku zlikvidujte v souladu s místními předpisy.
3. Obraťte se na speciální střediska pro recyklaci a likvidaci, protože robotická sekačka je klasifikovaná jako odpad OEEZ (Odpadní elektrická a elektronická zařízení).
4. Staré nebo vypořezované akumulátory zlikvidujte udržitelným způsobem ve sběrných nádobách nebo je odevzdejte do příslušných středisek autorizovaných pro sběr.

7. TECHNICKÉ ÚDAJE

SPECIFIKACE	TYP: SRSW01 (viz štítek výrobku)	TYP: SRBW01 (viz štítek výrobku)
Rozměry (Š×V×H)	413×252×560 [mm]	529×299×695 [mm]
Hmotnost robotické sekačky	V závislosti na modelu: 7,9 [kg] - 8,2 [kg] (*) (nepřesnost měření ±0,1 [kg])	V závislosti na modelu: 12,8 [kg] - 13,5 [kg] (*) (nepřesnost měření ±0,1 [kg])
Výška sečení (min. - max.)	20÷60 [mm]	20÷65 [mm]
Průměr nože	180 [mm]	260 [mm]
Otáčky při sečení	2 850 ±50 [ot./min]	2400 ±50 [ot./min]
Rychlost pohybu	22 [m/min]	V závislosti na modelu: 24 [m/min]; 28 [m/min] (*)
Maximální sklon	45%	50%
Maximální sklon po obvodu	20%	
Typ sekacího systému	4 otočné sekací nože	6 otočné sekací nože
Kód sekacího zařízení	322104105/0	
Zjištěná úroveň akustického výkonu	57 [dB] (A)	56 [dB] (A)
Nepřesnost měření emisí hluku, KWA	1,47 [dB] (A)	0,56 [dB] (A)
Zaručená úroveň akustického výkonu	59 [dB] (A)	57 [dB] (A)
Úroveň akustického tlaku působícího na ucho obsluhy	46,3 [dB] (A)	45,2 [dB] (A)
IP klasifikace robotické sekačky	IP X5	
IP klasifikace nabíjecí základny	IP X1	
IP klasifikace napájecího zdroje	IP 67	
Provozní teplota robotické sekačky [°C]	0 až +50	
Okolní teplota při provozu nabíjecí stanice [°C]	-10 až +50	
Provozní teplota při provozu napájecího zdroje [°C]	-10 až +50	
Pracovní kapacita	Závisí na modelu (*)	Závisí na modelu (*)
Napájení	Vstup: 100-240 V~, 1,2 A; výstup: 30 V=, 2 A Použijte jeden z níže uvedených původních kódů nebo jednu z následných aktualizací (obratte se na autorizovaného prodejce STIGA) 118204158/0 (EU) 118204161/0 (VELKÁ BRITÁNIE) 118204163/0 (ŠVÝCARSKO)	Vstup: 200-240 V~, 0,8 A; výstup: 30 V=, 4 A Použijte jeden z níže uvedených původních kódů nebo jednu z následných aktualizací (obratte se na autorizovaného prodejce STIGA) 118204159/0 (EU) 118204162/0 (VELKÁ BRITÁNIE) 118204164/0 (ŠVÝCARSKO)
Přípustné prodlužovací kabely 30 V=	Použijte jeden z níže uvedených původních kódů nebo jednu z následných aktualizací (obratte se na autorizovaného prodejce STIGA) Kód: 1127-0010-01, délka 5 m Kód: 1127-0020-01, délka 15 m	
Model akumulátoru	V závislosti na modelu: 25,2 V / 2 Ah; 25,2 V / 2,5 Ah; 25,2 V / 5 Ah; 25,2 V / 6 Ah (*)	V závislosti na modelu: 25,2 V / 5 Ah; 25,2 V / 6 Ah; 25,2 V - 2×5 Ah; 25,2 V / 2×6 Ah (*)
Doba nabíjení	V závislosti na modelu: 60 [min]; 80 [min]; 150 [min] (*)	V závislosti na modelu: 150 [min]; 180 [min] (*)
Doba pracovní činnosti	V závislosti na modelu: 60 [min]; 90 [min]; 150 [min] (*)	270 [min]
Připojení	Bluetooth®	Bluetooth®, 4G, 3G, GSM
Navigační technologie	GNSS	

(*) Ohledně podrobnějších údajů o konkrétním modelu si přečtěte kompletní návod, který je dostupný online (viz kód QR uvedený na první straně této příručky).

Pełna wersja Instrukcji jest dostępna:

- ▷ na stronie stiga.com
- ▷ na App STIGA GO na App Store i Google Play
- ▷ skanując kod QR



UWAGA: instrukcje zawarte w niniejszej instrukcji dotyczą wszystkich modeli autonomicznych kosiarek z przewodem. Rysunki, jeśli nie określono inaczej, odnoszą się do platformy SRSW01.

UWAGA: Niniejsza instrukcja zawiera podstawowe instrukcje, głównie związane z bezpieczeństwem. Aby zapewnić prawidłową instalację, należy dokładnie zapoznać się z pełną wersją instrukcji obsługi (patrz wyżej) i postępować zgodnie z nią.

1. BEZPIECZEŃSTWO

NAKAZ:

Przeczytać uważnie przed użyciem i zachować w celu przyszłej konsultacji.

1.1. DOBRE PRAKTYKI BEZPIECZEŃSTWA

Szkolenia

- a. Przeczytać uważnie instrukcję, poznać elementy sterujące i obsługiwać maszynę w prawidłowy sposób.
- b. Nigdy nie pozwalać dzieciom, osobom o ograniczonych zdolnościach fizycznych, czuciowych lub mentalnych lub nieposiadających doświadczenia i wiedzy oraz nieznaną instrukcji obsługi kosiarki na użytkowanie urządzenia. Miejscowe przepisy mogą ograniczać wiek operatora.
- c. Operator lub użytkownik ponosi odpowiedzialność za wystąpienie wypadków lub zagrożenia wobec osób trzecich i ich sprzętu.

Przygotowanie

- a. Upewnić się, że automatyczny system ogrodzenia obwodowego jest zainstalowany w opisany sposób.
- b. Okresowo sprawdzać obszar, w którym jest używane urządzenie i usuwać kamienie, patyki, przewody i wszelkie inne ciała obce, które mogą utrudniać jego pracę.
- c. Okresowo sprawdzać wzrokowo noże, śruby noży i zespół tarczy noży, aby się upewnić, że nie są one zużyte lub uszkodzone. Wymieniać zużyte lub uszkodzone noże i śruby

parami, aby zachować wyważenie zespołu tnącego.

- d. Sygnały ostrzegawcze muszą się znajdować wokół obszaru roboczego kosiarki, jeśli jest on używana w obszarach publicznych lub otwartych dla publiczności. Na sygnałach musi być obecny następujący tekst: „Ostrzeżenie! Kosiarka automatyczna! Nie zbliżać się do urządzenia! Nie pozostawić dzieci bez nadzoru!”.

1.1.1. FUNKCJONOWANIE

Informacje ogólne

- a. Nie używać maszyny w razie uszkodzenia osłon lub braku urządzeń zabezpieczających, na przykład bez osłon.
- b. Nie zbliżać rąk ani nóg do części obrotowych lub pod części obrotowe. Nie zbliżać się do otworu wyrzutu trawy.
- c. Nie dotykać części kosiarki w ruchu przed ich całkowitym zatrzymaniem.
- d. Podczas obsługi kosiarki należy zawsze nosić masywne obuwie i długie spodnie.
- e. Nie podnosić ani nie przewozić maszyny z włączonym silnikiem.
- f. Wyjąć klucz bezpieczeństwa z urządzenia:
 - Przed usunięciem niedrożności;
 - Przed kontrolą, czyszczeniem lub przeprowadzeniem prac konserwacyjnych przy maszynie;
 - W przypadku uderzenia przez obcy przedmiot należy sprawdzić, czy nie doszło do uszkodzenia urządzenia;
 - Jeśli maszyna zacznie wibrować w nietypowy sposób, przed jej ponownym uruchomieniem należy sprawdzić, czy nie jest uszkodzona.
- g. Nie pozostawiać pracującej maszyny bez nadzoru w obecności zwierząt domowych, dzieci lub innych osób.

Utrzymanie i konserwacja

- a. Aby zapewnić bezpieczną pracę maszyny, należy dokładnie dokręcić wszystkie nakrętki, śruby i wkładki.

- b. Często sprawdzać kosiarkę pod kątem zużycia lub zniszczenia.
- c. Ze względów bezpieczeństwa należy wymienić zużyte lub uszkodzone części.
- d. Upewnić się, że noże są wymieniane tylko na oryginalne części zamienne.
- e. Upewnić się, że akumulatory są ładowane za pomocą odpowiedniej ładowarki zalecanej przez producenta. Niewłaściwe użytkowanie może skutkować porażeniem prądem elektrycznym, przegrzaniem lub wyciekami płynów korodujących z akumulatora.
- f. W razie wycieku elektrolitu należy zmyć wodą / środkiem neutralizującym, a w przypadku kontaktu z oczami, zasięgnąć porady lekarza.
- g. Przeprowadzać konserwację maszyny zgodnie z instrukcjami producenta.

Ryzyko szczątkowe

- Mimo że produkt spełnia wszystkie wymogi bezpieczeństwa, nadal mogą istnieć dodatkowe zagrożenia wynikające z niewłaściwej instalacji i/lub nieprzewidzianych sytuacji. Dlatego konieczne jest, aby obszar, na którym działa produkt, był wolny od przedmiotów, ludzi i zwierząt oraz aby poinformować wszystkie osoby, które mogą mieć dostęp, nawet okazjonalnie, do obszaru roboczego, o możliwych zagrożeniach.

- W przypadku burz z ryzykiem wyładowań atmosferycznych i ogólnie w przewidywaniu złych warunków pogodowych zaleca się nieużywanie produktu i odłączenie wszystkich urządzeń peryferyjnych od stacji ładującej. Aby korzystać z produktu, należy ponownie podłączyć kabel obwodowy i urządzenia peryferyjne do zasilania zgodnie z instrukcjami zawartymi w instrukcji.

1.2. OPIS PRODUKTU

Kosiarka trawnikowa została zaprojektowana w celu koszenia trawy w strefach ogrodu wyznaczonych przez przewód obwodowy. Zasada działania opiera się o nawigację typu random. Kosiarka trawnikowa zmienia trajektorię, gdy napotka przewód obwodowy lub przeszkodę.

Jakiegolwiek inne zastosowanie może okazać się niebezpieczne i powodować szkody wobec osób i/lub obiektów. Przykładem niewłaściwego użycia (jest to przykład, ale lista jest otwarta) jest: przewożenie na maszynie osób lub zwierząt; jeżdżenie na maszynie; użycie maszyny w celu jej ciągnięcia lub pchania ładunków; użycie maszyny do koszenia roślin innych niż trawiste.

Platforma TYPE: SRBW01 jest wyposażony w moduł 3G/4G z kartą

SIM i moduł GNSS, które umożliwiają zdalne sterowanie kosiarką i funkcje wspomagania nawigacji.

1.3. SYMBOLE I TABLICZKI



OSTRZEŻENIE:

Przed uruchomieniem urządzenia przeczytać instrukcję użytkownika.



OSTRZEŻENIE:

Niebezpieczeństwo uderzenia przedmiotów o ciało.

Podczas pracy zachować bezpieczną odległość od maszyny.



OSTRZEŻENIE:

Nie wkładać dłoni ani stóp do wnętrza obudowy urządzenia tnącego.

Przed wykonaniem jakichkolwiek działań przy maszynie lub przed jej podniesieniem należy wyjąć urządzenie odłączające.



OSTRZEŻENIE:

Nie wkładać dłoni ani stóp do wnętrza obudowy urządzenia tnącego.

Nie wchodzić na maszynę.



ZAKAZ:

Upewnić się, że w miejscu pracy maszyny, gdy jest ona włączona, nie znajdują się osoby (zwłaszcza dzieci, osoby starsze lub niepełnosprawne) i zwierzęta domowe.

Oddalić dzieci, zwierzęta domowe i inne osoby na bezpieczną odległość od pracującej maszyny.



ZAKAZ:

Nie używać myjek wysokociśnieniowych do czyszczenia lub mycia maszyny.



Urządzenie o klasie izolacji III, zasilane z akumulatora (robot koszący) lub za pomocą specjalnego zasilacza (baza ładująca i stacja referencyjna).



Należy używać oryginalnego zasilacza o parametrach podanych na tabliczce znamionowej.



Symbol zasilania prądem stałym.



IPXX

Stopień ochrony przed wnikaniem ciał stałych i wody.



Opady ze sprzętu elektrycznego i elektronicznego, które należy dostarczyć do odpowiednich zakładów w celu recyklingu i utylizacji.



Gwarantowany poziom mocy akustycznej

1.4. BEZPIECZNE ZATRZYMYWANIE I WYŁĄCZANIE KOSIARKI AUTOMATYCZNEJ



NAKAZ:

Przed przystąpieniem do czyszczenia, transportu lub konserwacji zawsze bezpiecznie wyłączyć kosiarkę.

1. Nacisnąć przycisk „STOP” (Rys. 1.A), aby zatrzymać kosiarkę trawnikową w warunkach bezpieczeństwa i otworzyć pokrywę ochronną (Rys. 1.B).
2. Nacisnąć przycisk wyłączenia (Rys. 1.E) przez kilka sekund i poczekać, aż dioda LED na tym samym przycisku zgaśnie.
3. Dopiero po zgaśnięciu diody LED (Rys. 1.E), wyjąć klucz bezpieczeństwa (Rys. 1.D), aby bezpiecznie zatrzymać kosiarkę trawnikową.
4. W ten sposób nastąpi bezpieczne zatrzymanie lub wyłączenie kosiarki.

2. INSTALACJA



OSTRZEŻENIE:

Nie zmieniać, nie naruszać, nie omijać ani nie usuwać zainstalowanych urządzeń zabezpieczających.

UWAGA: Aby uzyskać więcej informacji na temat instalacji produktu, należy się skontaktować ze sprzedawcą STIGA.

CZĘŚCI DO ZAINSTALOWANIA (Rys. 2)

(A) Stacja ładowująca, (B) Ładowarka, (C) Przewód obwodowy, (D) Gwoździe mocujące przewód obwodowy, (E) Śruby mocujące stację ładowującą, (F) Złącze do przewodu obwodowego, (G) Złącza do stacji ładowającej

2.1. WERYFIKACJA WYMAGAŃ INSTALACYJNYCH

2.1.1. WERYFIKACJA OGRODU:

- Sprawdzić stan ogrodu zgodnie ze wskazówkami w Rozdz. 1.
- Wypoziomować grunt w taki sposób, aby podczas deszczu nie tworzyły się w nim kałuże.

2.1.2. WERYFIKACJA DO INSTALACJI STACJI ŁADUJĄCEJ I ZASILACZA:



ZAGROŻENIE ELEKTRYCZNE:

Należy zapewnić gniazdo zasilania zgodne z obowiązującymi przepisami w Kraju użytkownika.



ZAGROŻENIE ELEKTRYCZNE:

Zasilany obwód musi być zabezpieczony wyłącznikiem różnicowym (RCD) o prądzie zadziałania nieprzekraczającym 30 mA.



ZAGROŻENIE ELEKTRYCZNE:

Nie podłączać zasilacza do gniazda prądowego, jeśli wtyczka lub kabel są uszkodzone. Nie podłączać ani nie dotykać uszkodzonego przewodu przed odłączeniem zasilania. Uszkodzony lub zniszczony przewód może spowodować przypadkowy kontakt z częściami pod napięciem.

1. Przygotować na krawędzi trawnika płaską strefę w celu umieszczenia stacji ładowującej.

2. Upewnić się, że odległość stacji od ewentualnych zakrzywień wynosi przynajmniej 200 cm.



OSTRZEŻENIE:

Kabel zasilający, zasilacz, przedłużacz i wszelkie inne kable elektryczne, które nie należą do produktu muszą się znajdować poza obszarem koszenia, aby pozostać w bezpiecznej odległości od niebezpiecznych ruchomych części i aby uniknąć uszkodzenia kabli pod napięciem.

3. Przygotować miejsce instalacji zasilacza w taki sposób, aby nie był on narażony na zanurzenie w wodzie w jakichkolwiek warunkach atmosferycznych. Zainstalować, jeśli jest to możliwe, w zamkniętym pomieszczeniu chronionym przed czynnikami atmosferycznymi, w miejscu niedostępnym dla osób nieupoważnionych.

2.1.3. GŁÓWNE KONTROLE PODCZAS INSTALACJI PRZEWODU OBWODOWEGO:

1. Sprawdzić, czy maksymalne nachylenie obszaru roboczego jest mniejsze lub równe 45% lub 50%, w zależności od modelu (patrz Punkt 7 DANE TECHNICZNE) i przestrzegać zasad przedstawionych na Rys. 3.



OSTRZEŻENIE:

Kosiarka może kosić powierzchnię o maksymalnym nachyleniu 45% lub 50% w zależności od modelu. W razie niezastosowania się do tej instrukcji, może nastąpić ślizganie się kosiarki i wyjście z obszaru roboczego



OSTRZEŻENIE:

Nie kosić obszarów o nachyleniach większych niż dopuszczalne. Następnie umieścić przewód obwodowy przed nachyleniem, wykluczając ten obszar z koszenia.

2. Sprawdzić całą powierzchnię roboczą: ocenić przeszkody i obszary, które pragnie się wykluczyć z obszaru roboczego i które należy oddzielić przewodem obwodowym.

2.2. KRYTERIA INSTALACJI PRZEWODU OBWODOWEGO

Poniżej zamieszczono kryteria instalacyjne przewodu obwodowego, w celu uzyskania bardziej szczegółowych informacji należy się zapoznać z pełną wersją instrukcji.

MINIMALNE ODLEGŁOŚCI		
KONSTRUKCYJNY	MINIMALNA ODLEGŁOŚĆ INSTALACJI KABLA W ODNIESIENIU DO DO ELEMENTU KONSTRUKCYJNEGO	
TYP	SRSW01	SRBW01
Chodnik lub alejka na tym samym poziomie co trawnik	5 cm	5 cm
Fosa, ściana lub murek	35 cm	45 cm

Żywopłot lub roślina z wystającymi korzeniami	30 cm	40 cm
Basen, stawik typu infinity, niezabezpieczona droga publiczna	90 cm	100 cm
Basen lub droga na końcu stoku	150 cm	150 cm

TYPOLOGIE OGRANICZEŃ PRZESZKÓD		
PRZEJŚCIE X MIĘDZY DWOMA RÓŻNYMI ODCINKAMI PRZEWODU OBWODOWEGO		
TYP		
SRSW01	SRBW01	
X _≥ 70 cm (Rys. 4)	X _≥ 90 cm (Rys. 4)	Możliwe jest ograniczenie przeszkody, nakładając odcinki przewodu wychodzącego i powrotnego, bez ich krzyżowania
X < 70 cm (Rys. 5)	X < 90 cm (Rys. 5)	Możliwe jest ograniczenie przeszkody ustawiając odległość dwóch odcinków kabla wychodzącego i powrotnego o przynajmniej Y = 30 cm. Jeśli przeszkoda jest wystarczająco stabilna, można pozostawić ją bez ochrony.

PRZEJŚCIA MIĘDZY RÓŻNYMI STREFAMI OGRODU		
SZEROKOŚĆ KORYTARZA Z		
TYP		
SRSW01	SRBW01	
Z _≥ 70 cm (Rys. 6)	Z _≥ 90 cm (Rys. 6)	Strefa (Rys. 6.A) może być osiągnięta przez kosiarkę trawnikową.
Z < 70 cm (Rys. 6)	Z < 90 cm (Rys. 6)	Strefa (Rys. 6.A) nie może być osiągnięta przez kosiarkę trawnikową i należy ją traktować jako „Strefę zamkniętą”.

**POUCZENIE:**

Obszar roboczy i ogólnie obszary, w których kosiarka może się poruszać, muszą być odgródzone nieprzejezdnym ogrodzeniem. Zapewnić odpowiednie ogrodzenie lub nadzorować pracę kosiarki podczas funkcjonowania.

2.3. INSTALACJA CZĘŚCI**ZAGROŻENIE ELEKTRYCZNE:**

Używać wyłącznie ładowarki i zasilacza dostarczonego przez Producenta. Użycie nieodpowiedniej ładowarki i zasilacza może spowodować porażenie prądem i/lub przegrzanie.

**POUCZENIE:**

Niebezpieczeństwo przecięcia rąk. Aby uniknąć ryzyka skaleczenia rąk używać rękawice ochronne.

**POUCZENIE:**

Niebezpieczeństwo zaproszenia oczu. Stosować okulary ochronne, aby uniknąć niebezpieczeństwa zaproszenia oczu.

**ZAGROŻENIE ELEKTRYCZNE:**

Podłączyć zasilanie elektryczne dopiero po zakończeniu wszystkich czynności instalacyjnych. W razie konieczności podczas instalacji wyłączyć główne zasilanie elektryczne.

2.3.1. INSTALACJA PRZEWODU OBWODOWEGO**UŁOŻENIE ZA POMOCĄ KOŁKÓW**

- Umieścić przewód obwodowy, rozpoczynając od obszaru instalacji stacji ładującej.
- Umieścić przewód wzdłuż trasy mocując go przy użyciu odpowiednich kołków (Rys. 7.B) oddalonych o około 100 cm i zgodnie z zamieszczonymi wymaganiami instalacji (Patrz Punkt 2.2).
- Pozostawić dodatkowe 2 m przewodu, aby następnie przyciąć go na wymiar w końcowej fazie podłączania.
- Na zakrętkach umieścić przewód w taki sposób, aby promień skrętu wynosił około 20 cm (Rys. 7.A).

CAŁKOWITA DŁUGOŚĆ KABLA OBWODOWEGO	KABLE STIGA KOMPATYBILNE Z INSTALACJĄ	
< 400m	Kod 1127-0000-01	Zwój kabla 150 m, Ø 2,7 mm
	Kod 1127-0001-01	Zwój kabla 300 m, Ø 2,7 mm
	Kod 1127-0002-01	Zwój kabla 500 m, Ø 3,4 mm
	Kod 1127-0003-01	Zwój kabla 1000 m, Ø 3,4 mm
≥ 400m do maks. 1000m	Kod 1127-0002-01	Zwój kabla 500 m, Ø 3,4 mm
	Kod 1127-0003-01	Zwój kabla 1000 m, Ø 3,4 mm

**OSTRZEŻENIE:**

Aby nie dopuścić do uszkodzenia kabla przez kosiarkę, należy się upewnić, że przewód styka się z podłożem na całej swojej długości.

UWAGA: Przewód obwodowy używany do instalacji musi mieć długość przynajmniej 40 m. Jeśli długość przewodu jest mniejsza, należy zainstalować rezystor kod 122063053/0. Patrz pełna wersja instrukcji.

2.3.2. INSTALACJA STACJI ŁADUJĄCEJ

Zainstalować stację ładującą w osi z przewodem obwodowym, tak aby kosiarka miała do niej dostęp, przesuwając przewód obwodowy w prawo.

- Sprawdzić wymagania instalacyjne, jak przedstawiono w punkcie 2.2.

3.2. OPIS POLECEŃ OBECNYCH NA KOSIARCE AUTOMATYCZNEJ

Lista poleceń, wskaźników i ich funkcji:

- Naciśnięcie przycisk „STOP” (Rys. 1.A): służy do bezpiecznego zatrzymania kosiarki.
- „KLUCZBEZPIECZENSTWA” (Rys. 1.D): służy do bezpiecznego wyłączenia kosiarki.
- Nacisnąć przycisk „ON/ OFF” (Rys. 1.E): służy do włączania i wyłączania kosiarki oraz kasowania alarmów.
- Przycisk „WYBÓR TRYBU” (Rys. 1.F): służy do wyboru trybu pracy kosiarki zautomatyzowanej i wymuszenia powrotu do stacji ładującej.
- Przycisk „POTWIERDZENIE” (Rys. 1.G): służy do potwierdzenia ustawionego trybu roboczego.
- Świecąca ikona „ZAPLANOWANY PROGRAM” (Rys. 1.I): służy do wyświetlania ustawienia zaplanowanego programu.
- Świecąca ikona „POJEDYNCZY CYKL PRACY” (Rys. 1.L): służy do wyświetlania ustawienia pojedynczego cyklu pracy.
- Świecąca ikona „POWRÓT DO STACJI” (Rys. 1.H): służy do wyświetlenia ustawienia wymuszonego powrotu kosiarki do stacji ładującej.
- Przycisk „BLUETOOTH” (Rys. 1.M): jest używany wyłącznie przez centrum serwisowe do czynności diagnostycznych.
- Świecąca ikona „ALARM” (Rys. 1.N): służy do wyświetlania stanów alarmowych.
- Świecąca ikona „AKUMULATOR” (Rys. 1.O): służy do wyświetlania stanu naładowania akumulatora.

UWAGA: W celu uzyskania szczegółowego opisu wyżej wymienionych poleceń, należy się zapoznać z pełną wersją instrukcji.

3.3. FUNKCJONOWANIE STACJI ŁADUJĄCEJ

Stacja ładująca jest wyposażona w kontrolkę świetlną (Rys. 10.N), która jest podświetlona w sposób przedstawiony poniżej:

- Kontrolka zgaszona: stacja ładująca nie jest zasilana lub kosiarka jest w stacji.
- Kontrolka świeci stałym światłem: przewód obwodowy jest prawidłowo podłączony do stacji ładującej, a sygnał obwodowy jest prawidłowo przekazywany.
- Kontrolka wykonuje powolne miganie: przewód obwodowy nie jest podłączony lub jest przerwany.
- Kontrolka wykonuje szybkie miganie: przewód obwodowy jest za krótki lub w stacji ładującej wystąpiła usterka.

3.4. ŁADOWANIE AKUMULATORA

Procedura „ŁADOWANIE AKUMULATORA” umożliwiła ręczne ładowanie kosiarki.

1. Ustawić kosiarkę trawnikową na stacji ładującej (Rys. 11.R).
2. Umożliwić nasunięcie kosiarki na stację ładującą, aż do zatrzaśnięcia złącza ładowania (Rys. 11.S).
3. Nacisnąć przycisk „STOP” (Rys. 11.A) aby otworzyć pokrywę (Rys. 11.B) i wejść do konsoli sterowania (Rys. 11.C).
4. Włączyć kosiarkę za pomocą przycisku „ON/OFF” (Rys. 11.E)
5. Świecąca ikona „AKUMULATOR” (Rys. 11.L) miga na zielono, trwa ładowanie kosiarki.
6. Zamknąć pokrywę (Rys. 11.B).
7. Pozostawić ładującą się kosiarkę przynajmniej na czas wskazany w Punkcie 2.4.

UWAGA: Ładowanie akumulatora przed przechowywaniem zimowym należy przeprowadzić zgodnie z opisem w Punkcie 4.3.

2. W razie konieczności przygotować podłoże tak, aby powierzchnia stacji ładującej znajdowała się na tym samym poziomie co trawnik, podłoże musi być idealnie płaskie i zwarte, aby uniknąć odkształcenia powierzchni stacji ładującej.
3. Zdjąć pokrywę (Rys. 8.C).
4. Umieścić stację ładującą w osi z przewodem obwodowym (Rys. 8.D2) tak, aby kosiarka miała do niej dostęp, przesuwając przewód obwodowy w prawo.
5. Wsunąć dwa końce przewodu do odpowiednich przelotów (Rys. 8.E2).
6. Przyciąć końce przewodów do odpowiedniego rozmiaru.
7. Zastosować na kablu złącza samowierzące (Rys. 9.F), (Rys. 9.G), (Rys. 9.H).
8. Podłączyć złącza do zacisków (Rys. 8.I).
9. Przymocować stację ładującą (Rys. 10.L) do podłoża za pomocą śrub mocujących (Rys. 10.M).
10. Ponownie ułożyć pokrywę (Rys. 10.C).
11. Podłączyć zasilacz do stacji ładującej i przykręcić złącze.
12. Podłączyć wtyczkę zasilacza do gniazda elektrycznego.
13. Sprawdzić, czy w sytuacji, gdy kosiarka nie znajduje się w stacji ładującej, kontrolka na stacji ładującej (Rys. 10.N) świeci światłem stałym (patrz Rozdz. 3.3).

2.4. ŁADOWANIE KOSIARKI AUTOMATYCZNEJ PO INSTALACJI

Podczas pierwszego ładowania należy ładować akumulatory przynajmniej przez 2 godziny.

2.5. USTAWIENIA PRODUKTU

Praca kosiarki w trybie automatycznym wymaga szeregu ustawień, które można wykonać za pomocą urządzenia mobilnego (smartfona) iOS lub Android z zainstalowaną aplikacją „STIGA GO”.

UWAGA: W celu uzyskania szczegółowego opisu dostępnych funkcji należy się zapoznać z pełną wersją instrukcji.

3. FUNKCJONOWANIE

3.1. RĘCZNA OBSŁUGA KOSIARKI AUTOMATYCZNEJ

Możliwe jest użycie kosiarki bez przeprowadzania opisanego programowania (Patrz Punkt 2.5). W tym trybie kosiarka wykonuje cykl pracy, powraca do stacji ładującej i pozostaje tam do następnego ręcznego uruchomienia.

1. Umieścić kosiarkę na stacji ładującej lub w dowolnym miejscu wewnątrz obwodu instalacji.
2. Nacisnąć przycisk „STOP” (Rys. 1.A) aby otworzyć pokrywę (Rys. 1.B) i wejść do konsoli sterowania (Rys. 1.C).
3. Nacisnąć przycisk „ON/ OFF” (Rys. 1.E) przez 5 sekundy, aby włączyć kosiarkę trawnikową.
4. Nacisnąć przycisk „WYBÓR TRYBU” (Rys. 1.F), do migania jednej ikony (Rys. 1.L).
5. Nacisnąć przycisk „POTWIERDZENIE” (Rys. 1.G). Ikona (Rys. 1.L) zaświeci się światłem ciągłym, aby potwierdzić działanie.
6. Zamknąć pokrywę (Rys. 1.B). Kosiarka zacznie działać.

UWAGA: tentybmożenie zagwarantować odpowiedniego pokrycia ogrodu, zarówno pod względem wymaganego czasu, jak i równomierności cięcia, zwłaszcza jeśli ogród ma nieregularny kształt. Aby osiągnąć maksymalną wydajność kosiarki, zaleca się przeprowadzenie programowania (Patrz Punkt 2.5).

3.5. REGULACJA WYSOKOŚCI KOSZENIA

PLATFORMA TYPU SRSW01 - REGULACJA RĘCZNA

1. Wylączyć kosiarkę automatyczną w warunkach bezpieczeństwa (patrz Punkt 1.4).
2. Za pomocą regulatora wysokości (Rys. 12.P) wybrać żądaną wysokość koszenia w taki sposób, aby część skoszonej trawy nie przekraczała 10 mm.

UWAGA: Długość trawy skoszonej przez kosiarkę nie może przekraczać 10 mm.

PLATFORMA TYPU SRBW01 - REGULACJA ELEKTRYCZNA

Aby wyregulować wysokość koszenia, postępować zgodnie z procedurą w aplikacji.

System regulacji wysokości ostrza wymaga wstępnej kalibracji i okresowych kalibracji, które są wykonywane automatycznie. Kalibrację można również przeprowadzić ręcznie z poziomu dedykowanego menu w aplikacji.



POUCZENIE:

Nie dotykać urządzenia tnącego podczas regulacji wysokości cięcia.

UWAGA: Długość trawy skoszonej przez kosiarkę nie może przekraczać 10 mm.

4. KONSERWACJA



POUCZENIE:

Stosować wyłącznie oryginalne części zamienne.



POUCZENIE:

Nie zmieniać, nie naruszać, nie omijać ani nie usuwać zainstalowanych urządzeń zabezpieczających.



POUCZENIE:

Niebezpieczeństwo przecięcia rąk. Aby uniknąć ryzyka skażenia rąk używać rękawice ochronne.



POUCZENIE:

Niebezpieczeństwo zaprószenia oczu. Stosować okulary ochronne, aby uniknąć niebezpieczeństwa zaprószenia oczu.



OSTRZEŻENIE:

Zbyt obfite użycie wody może spowodować infiltrację i uszkodzenie części elektrycznych.



ZAKAZ:

Nie stosować strumienia wody pod ciśnieniem.



ZAKAZ:

Aby uniknąć nieodwracalnego uszkodzenia części elektrycznych i elektronicznych, nie zanurzać kosiarki w wodzie (częściowo lub całkowicie).



ZAKAZ:

Nie myć wewnętrznych części kosiarki, aby uniknąć uszkodzenia elementów elektrycznych i elektronicznych.



ZAKAZ:

Nie używać rozpuszczalników ani benzyny, aby uniknąć uszkodzenia powierzchni lakierowanych i elementów z tworzywa sztucznego.

4.1. ZAPROGRAMOWANA KONSERWACJA

Aby zapewnić lepsze funkcjonowanie i dłuższą żywotność, należy regularnie czyścić produkt i wymieniać zużyte części.

Wykonywać te czynności z częstotliwością wskazaną w tabeli.

CZĘSTOTLIWOŚĆ	CZĘŚĆ	RODZAJ DZIAŁANIA
Raz w tygodniu	Nóż	Wyczyścić i sprawdzić skuteczność noża. (Patrz Punkt 4.2) Jeśli nóż jest wygięty w wyniku uderzenia lub jest zużyty, należy go wymienić. (Patrz Punkt 4.2)
	Styki do ładowania	Wyczyścić i usunąć wszelkie ślady utlenienia. (Patrz pełna wersja instrukcji)
Raz w miesiącu	Kosiarka automatyczna	Wykonać czyszczenie. (Patrz pełna wersja instrukcji)
	Stacja ładująca i przewody zasilające	Skontrołować zużycie lub zniszczenie i w razie konieczności je wymienić. (Patrz pełna wersja instrukcji)
Pod koniec sezonu koszenia lub co sześć miesięcy, jeśli kosiarka nie jest używana	Akumulator	Przeprowadź ładowanie akumulatora przed odstawieniem do przechowywania. (Patrz Punkt 4.3)
Raz w roku lub na koniec sezonu koszenia	Kosiarka automatyczna	Wykonaj przegląd w autoryzowanym serwisie. (Patrz Punkt 4.1)

Aby utrzymać kosiarkę w dobrym stanie technicznym, należy przeprowadzać coroczny przegląd w autoryzowanym centrum serwisowym.

UWAGA: wszelkie usterki wynikające z niewykonania rocznego przeglądu nie będą objęte gwarancją.

4.2. WYMIANA NOŻY TNĄCYCH

1. Wylączyć kosiarkę automatyczną w warunkach bezpieczeństwa (patrz Punkt 1.4).
2. Odwrócić kosiarkę do góry nogami zwracając uwagę na to, aby nie uszkodzić pływającej osłony.
3. Odkręcić śruby mocujące (Rys. 14.E)
4. Wymienić noże tnące (Rys. 14.D).
5. Dokręcić śruby mocujące (Rys. 14.E)

4.3. KONSERWACJA AKUMULATORA NA OKRES ZIMOWY I PRZECHOWYWANIE

1. Naładować akumulator zgodnie z kreatorem aplikacji, dostępnym na stronie „Ustawienia”.
2. Wyczyścić kosiarkę (Patrz pełna wersja instrukcji).
3. Przechowywać kosiarkę w suchym miejscu, chronionym przed mrozem, upewniając się, że jest wyłączona.

UWAGA: W celu uzyskania szczegółowych informacji na temat procedury ładowania zimowego, patrz pełna wersja instrukcji.

UWAGA: Aby gwarancja akumulatora była ważna, wymagana jest rejestracja ładowania za pomocą procedury w aplikacji.

4.4. WYMIANA AKUMULATORA

Za wymianę akumulatora odpowiada wyłącznie PERSONEL POMOCY TECHNICZNEJ STIGA.

Jeśli akumulator wymaga wymiany, należy się skontaktować z centrum serwisowym lub sprzedawcą.

5. TRANSPORT, PRZECHOWYWANIE I UTYLIZACJA

5.1. TRANSPORT

UWAGA: W celu transportu na znaczne odległości zalecamy użycie oryginalnego opakowania.

1. Wyłączyć kosiarkę automatyczną w warunkach bezpieczeństwa (patrz Punkt 1.4).
2. Wyciągnąć kosiarkę (Patrz pełna wersja instrukcji).
3. Podnieść kosiarkę trawnikową za pomocą odpowiedniego uchwytu (Rys. 15.D) i przenieść ją uważając, aby nóż tnący znajdował się z dala od ciała.

6. ROZWIĄZYWANIE PROBLEMÓW



POUCZENIE:

Zatrzymać kosiarkę automatyczną w bezpiecznych warunkach (Patrz Punkt 1.4).

Poniżej znajduje się lista wszelkich anomalii, które mogą wystąpić w tej fazie pracy.

USTERKA	PRZYCZYNY	ŚRODKI ZARADCZE
Nieprawidłowe drgania. Głośna praca kosiarki.	Uszkodzona tarcza tnąca lub noże	Wymienić uszkodzone elementy (Patrz Punkt 4.2).
	Urządzenie tnące zablokowane przez pozostałości (taśmy, sznurki, fragmenty tworzywa sztucznego itp.).	Wyłączyć kosiarkę automatyczną w warunkach bezpieczeństwa (Patrz Punkt 1.4). Odblokować nóż tnący.
	Kosiarka została uruchomiona w obecności przeszkód (opadłe gałęzie, zapomniane przedmioty itp.).	Wyłączyć kosiarkę automatyczną w warunkach bezpieczeństwa (Patrz Punkt 1.4). Usunąć przeszkody i ponownie uruchomić kosiarkę.
	Awaria silnika elektrycznego.	Wymienić silnik, skontaktować się z najbliższym autoryzowanym centrum serwisowym.
	Zbyt wysoka trawa.	Zwiększyć wysokość koszenia (Patrz Punkt 3.5). Wykonać wstępne koszenie trawnika w danym obszarze przy użyciu zwykłej kosiarki.
Kosiarka nie ustawia się prawidłowo w stacji ładującej.	Nieprawidłowa pozycja przewodu obwodowego.	Sprawdzić podłączenie stacji ładującej (Patrz Punkt 2.3.2).
	Osiadanie gruntu w pobliżu stacji ładującej.	Przywrócić prawidłowe ustawienie stacji ładującej. (Patrz Punkt 2.3.2).
Kosiarka nie zachowuje się prawidłowo wokół przeszkód obwodowych.	Przewód obwodowy ułożony nieprawidłowo.	Ustawić prawidłowo przewód obwodowy (w prawo) (Patrz Punkt 2.3.1).
Kontrolka stacji ładującej nie świeci się, gdy kosiarka znajduje się poza stacją ładującą.	Brak zasilania lub usterka stacji ładującej.	Sprawdzić podłączenie do gniazda elektrycznego. Sprawdź stan przewodu zasilającego.
Kontrolka stacji ładującej powoli miga	Przewód obwodowy nie jest podłączony lub jest przzerwany	Sprawdzić instalację i naprawić uszkodzenie (Patrz Punkt 2.3)
Kontrolka stacji ładującej szybko miga	Przewód obwodowy jest za krótki lub w stacji ładującej wystąpiła usterka.	Sprawdzić, czy długość przewodu obwodowego jest większa niż wskazana w Punkcie 2.3.2. Jeśli problem nie zniknie, skontaktować się z centrum serwisowym.
Na klawiaturze świeci się ikona Warning	Wskazuje stan anomalii / usterki.	W celu uzyskania dodatkowych informacji, zapoznać się z aplikacją lub pełną wersją instrukcji.

5.2. PRZECHOWYWANIE

Po wyczyszczeniu kosiarki i naładowaniu akumulatora w okresie zimowym należy przechowywać kosiarkę w poziomej pozycji, w suchym i zabezpieczonym przed mrozem miejscu (patrz Rozdz. 4). Podczas długich okresów przestoju odłączyć stację ładującą i satelitarną stację referencyjną od sieci elektrycznej.

5.3. UTYLIZACJA



POUCZENIE:

W celu wyjęcia akumulatora z kosiarki należy się skontaktować z autoryzowanym centrum serwisowym.

1. Użytkownik jest zobowiązany do utylizacji zużytych akumulatorów w sposób bezpieczny, wyrzucając je do specjalnych pojemników znajdujących się w centrach upoważnionych do ich zbiórki.
2. Utylizować kosiarkę automatyczną zgodnie z lokalnymi wymogami prawnymi.
3. Skontaktować się z odpowiednimi strukturami zajmującymi się recyklingiem i utylizacją, ponieważ kosiarka automatyczna jest sklasyfikowana jako WEEE (zużyty sprzęt elektryczny i elektroniczny).
4. Użytkownik jest zobowiązany do utylizacji starych lub zużytych akumulatorów w sposób bezpieczny, wyrzucając je do specjalnych pojemników znajdujących się w centrach upoważnionych do ich zbiórki.

7. DANE TECHNICZNE

SPECYFIKACJA	TYP: SRSW01 (patrz etykieta produktu)	TYP: SRBW01 (patrz etykieta produktu)
Wymiary (SxWxD)	413 x 252 x 560 [mm]	529 x 299 x 695 [mm]
Ciężar kosiarki automatycznej	To zależy od modelu: 7,9 [kg] - 8,2 [kg] (*) (Błąd pomiaru +/-0,1 [kg])	To zależy od modelu: 12,8 [kg] - 13,5 [kg] (*) (Błąd pomiaru +/-0,1 [kg])
Wysokość koszenia (Min-Max)	20-60 [mm]	20-65 [mm]
Szerokość koszenia	180 [mm]	260 [mm]
Prędkość silnika noży	2850+/-50 [obr./min]	2400+/-50 [obr./min]
Prędkość jazdy	22 [m/min]	To zależy od modelu: 24 [m/min]; 28 [m/min] (*)
Maksymalne nachylenie	45%	50%
Maksymalne nachylenie wzdłuż obwodu	20%	
System koszenia	4 obrotowe noże tnące	6 obrotowe noże tnące
Kod urządzenia tnącego	322104105/0	
Poziom wykrytej mocy akustycznej	57 [dB] (A)	56 [dB] (A)
Błąd pomiaru hałasu, KWA	1,47 [dB] (A)	0,56 [dB] (A)
Gwarantowany poziom mocy akustycznej	59 [dB] (A)	57 [dB] (A)
Poziom ciśnienia akustycznego przy uchu operatora	46.3 [dB] (A)	45.2 [dB] (A)
Klasyfikacja IP kosiarki automatycznej	IPX5	
Klasyfikacja IP stacji ładującej	IPX1	
Klasyfikacja IP zasilacza	IP67	
Temperatura otoczenia podczas pracy kosiarki automatycznej [°C]	0 ÷ 50	
Temperatura otoczenia podczas pracy stacji ładującej [°C]	-10 ÷ 50	
Temperatura otoczenia podczas pracy zasilacza [°C]	-10 ÷ 50	
Maksymalny obszar roboczy	Zależy od modelu (*)	Zależy od modelu (*)
Zasilanie	Wejście: 100-240 Vac, 1,2 A; Output: 30 Vcc, 2 A Użyj jednego z poniższych oryginalnych kodów lub kolejnych aktualizacji (skonsultuj się z autoryzowanym dealerm STIGA) 118204158/0 (UE) 118204161/0 (UK) 118204163/0 (CH)	Wejście: 200-240 Vac, 0,8 A; Output: 30 Vcc, 4 A Użyj jednego z poniższych oryginalnych kodów lub kolejnych aktualizacji (skonsultuj się z autoryzowanym dealerm STIGA) 118204159/0 (UE) 118204162/0 (UK) 118204164/0 (CH)
Dozwolone kable przedłużające 30 Vcc	Użyj jednego z poniższych oryginalnych kodów lub kolejnych aktualizacji (skonsultuj się z autoryzowanym dealerm STIGA) Kod: 1127-0010-01, Długość 5 m Kod: 1127-0020-01, Długość 15 m	
Typ akumulatora	To zależy od modelu: 25,2V - 2Ah; 25,2V - 2,5Ah; 25,2V - 5Ah; 25,2V - 6Ah (*)	To zależy od modelu: 25,2V - 5Ah; 25,2V - 6Ah; 25,2V - 2x5Ah; 25,2V - 2x6Ah (*)
Czas ładowania	To zależy od modelu: 60 [min]; 80 [min]; 150 [min] (*)	To zależy od modelu: 150 [min]; 180 [min] (*)
Czas pracy	To zależy od modelu: 60 [min]; 90 [min]; 150 [min] (*)	270 [min]
Łączność	Bluetooth®	Bluetooth®, 4G, 3G, GSM
Technologia nawigacji	GNSS	

(*) Aby uzyskać więcej informacji na temat konkretnego modelu, należy zapoznać się z Pełną Instrukcją obsługi dostępną online (patrz kod QR na pierwszej stronie niniejszej broszury).

A teljes használati útmutató megtalálható:

- ▷ a stiga.com honlapon
- ▷ az App Store és Google Play platformokról letölthető STIGA GO alkalmazásban
- ▷ a QR-kód leolvasásával



MEGJEGYZÉS: a jelen kézikönyvbe foglalt utasítások valamennyi vezetőhuzalal működő robotfűnyíró-moddellel érvényesek. Az ábrák, ha nincs másképp megjelölve, az SRSW01 platformra vonatkoznak.

MEGJEGYZÉS: Ez a kézikönyv az alapvető, elsősorban a biztonsággal kapcsolatos utasításokat tartalmazza. A helyes telepítés érdekében a teljes használati útmutatót (lásd fent) figyelmesen el kell olvasni és be kell tartani.

1. BIZTONSÁG

KÖTELEZETTSÉG:
Használat előtt olvassa el figyelmesen a használati útmutatót és őrizze meg jövőbeni szükség esetére.

1.1. BIZTONSÁGOS MŰVELETVÉGZÉS

Betanítás

- a. Olvassa el figyelmesen a használati útmutatót, ismerje meg a vezérléseket és a gép helyes használati módját.
- b. Soha ne engedje meg gyermekek, csökkent testi, szellemi, illetve érzékelő képességgel rendelkező, vagy ismeretek és tapasztalatok híjával levő, a jelen útmutatót nem ismerő személyek számára a gép használatát. A helyi jogszabályok korlátozhatják a gép használatához előírt életkort.
- c. A gép kezelője vagy felhasználója felelős a harmadik személyeket vagy harmadik személyek eszközeit érintő balesetekért vagy veszélyekért.

Előkészítés

- a. Győződjön meg az automatikus határoló rendszer előírászerű telepítéséről.
- b. Rendszeresen ellenőrizze a gép használati területét és távolítsa el a köveket, botokat, kábeleket és minden egyéb idegen tárgyat, amely akadályozhatja a gép működését.
- c. Rendszeresen ellenőrizze szemrevételezéssel, hogy nincs-e kopás vagy

károsodás jele a vágókéseken, valamint a vágókések és a vágóegység csavarjain. Párban cserélje ki a kopott vagy sérült vágókéseket vagy csavarokat a gép egyensúlyának biztosítása céljából.

- d. A gép munkaterülete kerületén helyezzen el figyelmeztető jelzéseket, ha a gépet közterületen vagy a nyilvánosság számára hozzáférhető területen használja. A jelzések szövege legyen: "Figyelem! Automatikus robotfűnyíró! Tartson távolságot a géptől! Gondoskodjon a gyermekek felügyeletéről!"

1.1.1. MŰKÖDÉS

Általános tudnivalók

- a. Ne működtesse a gépet hibás védőburkolatokkal vagy biztonsági szerkezetek, például védőelemek nélkül.
- b. Kezét, lábát ne tegye forgó részek mellé vagy alá. Tartózkodjon mindig távol a kidobónyílástól.
- c. Ne érjen a gép mozgó részeihez, amíg azok teljesen le nem álltak.
- d. A gép működése alatt viseljen mindig erős lábbelit és hosszúnadrágot.
- e. Ne emelje fel, illetve ne szállítsa a gépet, amikor a motor működik.
- f. Távolítsa el a kikapcsoló szerkezetet a gépről:
 - Eltömődés eltávolítása előtt;
 - A gép ellenőrzése, tisztítása előtt, vagy mielőtt azon valamilyen munkát végez;
 - Ha idegen tárgyhoz ütközik, ellenőrizze, hogy nem sérült-e meg a gép;
 - Amennyiben a gép rendellenes módon vibrálni kezd, végezzen károsodásfelderítő ellenőrzést, mielőtt újraindítaná.
- g. Ne hagyja felügyelet nélkül a működő gépet, amikor háziállatok, gyermekek vagy más személyek tartózkodnak a közelben.

Karbantartás és tárolás

- Jól húzza meg az összes anyát, csavart és rögzítőelemet a gép biztonságos működése érdekében.
- Gyakran ellenőrizze a robotfűnyíró, hogy nincs-e rajta kopás vagy károsodás jele.
- Biztonsági okokból cserélje ki az elhasználtodott vagy károsodott részeket.
- Győződjön meg arról, hogy a vágókészeket kizárólag megfelelő cserealkatrészekre cserélte-e ki.
- Ellenőrizze, hogy az akkumulátorokat a gyártó által ajánlott, megfelelő akkumulátortöltővel töltötte-e fel. A nem megfelelő használat áramütést, túlmelegedést vagy az akkumulátor maró hatású folyadékának kiömlését okozhatja.
- Az elektrolit szivárgása esetén mossa le a vízzel/semlegesítő szerrel, és a szemmel, stb. való érintkezés esetén forduljon orvoshoz.
- A gép karbantartását a gyártó előírásainak megfelelően kell végezni.

Fennmaradó kockázatok

- Bár a termék megfelel minden biztonsági követelménynek, a nem megfelelő telepítés és/vagy elöre nem látható helyzetek miatt további kockázatok merülhetnek fel. Ezért szükséges, hogy a termék működési területén ne legyenek tárgyak, ne tartózkodjanak személyek és állatok, valamint a lehetséges veszélyekről tájékoztatni kell mindenkit, akinek akár csak alkalmanként is hozzáférése lehet a munkaterülethez.

- Villámásveszélyes zivatarok és általában rossz időjárási körülmények esetén a terméket nem ajánlott használni, és bontani kell a határoló huzal csatlakozását a töltőállomásról, valamint minden perifériás eszközt le kell kapcsolni a táphálózatról. A termék használatához csatlakoztassa újra a határoló huzalt és a perifériákat az elektromos hálózathoz a kézikönyvben található utasításoknak megfelelően.

1.2. A TERMÉK LEÍRÁSA

A robotfűnyíró a határoló huzallal körülhatárolt kertrészeken végzett fűnyírásra terveztük.

Működési elve a véletlenszerű navigáláson alapul. A

robotfűnyíró a határoló huzal vagy akadály érzékelésekor irányt vált.

Bármilyen más használat veszélyes lehet és személyi és/vagy tárgyi károkat okozhat. Helytelen használatnak minősülnek az alábbiak (példaként és nem kizárólagosan): személyek, gyermekek vagy állatok szállítása a gépen; a gépen utazni, a géppel terhet vontatni vagy a gépre terhet helyezni, a gép használata nem pázsit jellegű növényzet vágására.

A TYPE platform: Az SRBW01 fel van szerelve egy SIM-kártyával működő 3G/4G modulussal és egy GNSS-modullal, amelyek lehetővé teszik a robotfűnyíró távvezérlését és a navigációt segítő funkciókat.

1.3. SZIMBÓLUMOK ÉS ADATTÁBLÁK



FIGYELEM:

Olvassa el a felhasználói útmutatót a termék működésének beindítása előtt.



FIGYELEM:

Tárgyak kidobásának veszélye a test irányába.

A működés alatt tartózkodjon megfelelő biztonsági távolságra a géptől.



FIGYELEM:

Ne tegye kezét vagy lábát a vágógépség házába.

Mielőtt a gépen beavatkozást végez vagy felemeli, távolítsa el a kikapcsoló szerkezetet.



FIGYELEM:

Ne tegye kezét vagy lábát a vágógépség házába.

Ne lépjen fel a gépre.



TILTÁS:

Győződjön meg arról, hogy ne tartózkodjanak személyek (főként gyermekek, idős vagy fogyatékkal élő személyek) és háziállatok a munkaterületen a gép üzemelése alatt.

Amikor a gép működésben van, tartsa tőle biztonsági távolságra a gyermekeket, háziállatokat és más személyeket.



TILTÁS:

Ne használjon nagynyomású tisztítóeszközt a gép tisztításához vagy mosásához.



III. szigetelési osztályú készülék, akkumulátorral (robotfűnyíró) vagy speciális tápegységgel (töltőállomás és referenciaállomás).



A teljesítménytáblán feltüntetett jellemzőkkel rendelkező, eredeti tápegységet használja.



Egyenáramú tápellátás szimbóluma.



IPXX

A szilárd anyagok és a víz behatolása elleni védelem besorolása.



Elektromos és elektronikus berendezésekből származó hulladékok, amelyeket újrahasznosítás és ártalmatlanítás céljából a megfelelő létesítményekbe kell szállítani.



Garantált zajteljesítmény szint

1.4. A ROBOTFŰNYÍRÓ LEÁLLÍTÁSA ÉS KIKAPCSOLÁSA BIZTONSÁGOS FELTÉTELEK MELLETT



KÖTELEZETTSÉG:

Mindig biztonságos feltételek mellett kapcsolja ki a robotfűnyírót a tisztítási, szállítási, karbantartási műveletek elvégzése előtt.

1. Nyomja meg a "STOP" (1.A ábra) gombot a robotfűnyíró biztonságos leállításához és a védőfedél felnyitásához (1.B ábra).
2. Tartsa nyomva a kikapcsoló gombot (1.E ábra) néhány másodpercig, és várjon, amíg az ugyanazon a gombon lévő LED kialszik.
3. Csak a LED (1.E ábra) kialvása után vegye ki a biztonsági kulcsot (1.D ábra) a robotfűnyíró biztonságos feltételek melletti kikapcsolásához.
4. A robotfűnyíró biztonságos leállítása vagy kikapcsolása megtörtént.

2. ÖSSZESZERELÉS



FIGYELEM:

Ne módosítsa, ne iktassa ki, ne hidalja át és ne távolítsa el gépen levő biztonsági szerkezeteket.

MEGJEGYZÉS: A termék telepítésére vonatkozó további információért forduljon a STIGA márkakereskedőhöz.

ALKATRÉSZEK A TELEPÍTÉSHEZ (2. ábra)

(A) Töltőállomás, (B) Tápegység (C) Határoló huzal, (D) Határoló huzalt rögzítő szögek, (E) Töltőállomást rögzítő csavarok, (F) Csatlakozó a határoló huzalhoz, (G) Csatlakozók a töltőállomáshoz

2.1. A TELEPÍTÉS FELTÉTELEINEK ELLENŐRZÉSE

2.1.1. A KERT ELLENŐRZÉSE:

- Ellenőrizze a kert állapotát az 1. fejezetben leírtak szerint.
- Szintezze a talajt, hogy eső után ne keletkezzenek pocsoljak.

2.1.2. ELLENŐRZÉSEK A TÖLTŐÁLLOMÁS ÉS A TÁPEGYSÉG TELEPÍTÉSÉHEZ:



ELEKTROMOS VESZÉLY:

Készítsen elő egy csatlakozóaljzatot a helyi törvények előírásainak megfelelően.



ELEKTROMOS VESZÉLY:

A szállított áramkör védelmét 30 mA-nél nem magasabb áramon kioldó differenciálkapcsolóval (RCD) kell biztosítani.



ELEKTROMOS VESZÉLY:

Ne csatlakoztassa a tápegységet a csatlakozóaljzathoz, ha a csatlakozó dugó vagy a kábel sérült.

Ne csatlakoztasson és ne érintsen meg sérült kábelt, ha az nincs lecsatlakoztatva a tápellátásról.

A sérült kábel a feszültség alatti részekkel való érintkezést okozhatja.

1. Készítsen elő a gyepszélén egy sik területet a töltőállomás elhelyezéséhez
2. Ellenőrizze, hogy a töltőállomás legalább 200 cm-re legyen a kanyaroktól.



FIGYELEM:

A tápkábelt, a tápegységet, a hosszabbítót és minden egyéb, nem a termékhez tartozó elektromos kábelt a vágási területen kívül kell elhelyezni, annak érdekében, hogy ne kerüljenek a veszélyes mozgó részek közelébe és hogy a kábelek sérülése ne okozhasson a feszültség alatti részekkel való érintkezést.

3. Készítse elő a tápegység telepítési helyét úgy, hogy soha, bármilyen időjárási hatás esetén se kerüljön víz alá. A tápegységet lehetőleg zárt, az időjárástól védett, illetéktelen személyek által nehezen elérhető helyre telepítse.

2.1.3. ELSŐDLEGES ELLENŐRZÉSEK A HATÁROLÓ HUZAL TELEPÍTÉSÉHEZ:

1. Ellenőrizze, hogy a munkaterület maximális dőlésszöge legfeljebb 45° vagy 50° legyen a gép típusától függően (lásd a 7. MŰSZAKI ADATOK c. fejezetet), és tartsa be a 3. ábrán látható szabályokat.



FIGYELEM:

A robotfűnyíró legfeljebb 45°-os vagy 50°-os dőlésszögű felületeken használható, a modelltől függően. Ha nem tartja be az utasításokat, a robotfűnyíró megcsúszhat és túlhaladhat a munkaterületen



FIGYELEM:

A megengedettnél nagyobb dőlésszögű részeket tartalmazó területeken a fűnyírást tilos. Ezért a határoló huzalt a lejtő előtti részre úgy telepítse, hogy kizárja a fűnyírásból az adott részt.

2. Ellenőrizze a teljes munkaterületet: határozza meg az akadályokat és a munkaterületből kizárható részeket, amelyeket a határoló huzallal kell elkeríteni.

2.2. A HATÁROLÓ HUZAL TELEPÍTÉSÉNEK SZEMPONTJAI

Az alábbiakban leírjuk a határoló huzal telepítésének szempontjait, a részletesebb tudnivalókat lásd a használati útmutatóban.

2.3. AZ ALKATRÉSZEK TELEPÍTÉSE

MINIMÁLIS TÁVOLSÁGOK		
SZERKEZETI ELEM	MINIMÁLIS TÁVOLSÁG A KÁBEL TELEPÍTÉSHEZ A SZERKEZETI ELEMHEZ KÉPEST	
TYPE	SRSW01	SRBW01
A gyeppel egy szinten levő burkolat vagy kerti ösvény	5 cm	5 cm
Árok, fal vagy kőkerítés	35 cm	45 cm
Sövény vagy kiálló gyökerű fa	30 cm	40 cm
Feszített víztükrű medence, kerti tó, nem védett közút	90 cm	100 cm
Medence vagy út egy lejtő végén	150 cm	150 cm

AZ AKADÁLYOK KÖRÜLHATÁROLÁSÁNAK TÍPUSAI		
A HATÁROLÓ HUZAL KÉT KÜLÖNBÖZŐ SZAKASZA KÖZÖTTI TÁVOLSÁG		
TYPE		
SRSW01	SRBW01	
X ₁ ≥ 70cm (4. ábra)	X ₂ ≥ 90cm (4. ábra)	Az akadály körülhatárolható az előremenő és visszatérő huzalszakaszok keresztezés nélküli egymásra helyezésével.
X ₁ < 70cm (5. ábra)	X ₂ < 90cm (5. ábra)	Az akadályt úgy határolhatja körül, hogy az előremenő és visszatérő huzalszakaszok között Y = 30 cm távolságot tart. Amennyiben az akadály eléggé ellenálló, védelem nélkül is hagyható.

ÁTJÁRÓ A KERT KÜLÖNBÖZŐ ZÓNÁI KÖZÖTT		
Z ÁTJÁRÓ SZÉLESSÉGE		
TYPE		
SRSW01	SRBW01	
Z ≥ 70cm (6. ábra)	Z ≥ 90cm (6. ábra)	A zóna (6.A ábra) elérhető a robotfűnyíró számára.
Z < 70cm (6. ábra)	Z < 90cm (6. ábra)	A zóna (6.A ábra) nem érhető el a robotfűnyíró számára, "Zárt területnek" minősül.



FIGYELMEZTETÉS:
A munkaterületet és azokat a területeket, amelyeken a robotfűnyíró közlekedhet, egy átjárhatatlan kerítéssel kell körülhatárolni. Gondoskodjon megfelelő kerítésről vagy feljelölje a robotfűnyíró működését.



ELEKTROMOS VESZÉLY:
 Csak a gyártó által szállított akkumulátortöltőt és tápegységet használjon. A nem rendeltetésszerű használat áramütést és/ vagy túlmelegedést okozhat.



FIGYELMEZTETÉS:
 Kéz vágásának veszélye. Használjon védőkesztyűt a kéz vágásának veszélye elkerülése céljából.



FIGYELMEZTETÉS:
 Por szembe kerülésének veszélye. Használjon védőszemüveget a por szembe jutásának elkerülése céljából.



ELEKTROMOS VESZÉLY:
 Csak a telepítési műveletek befejeztével csatlakoztassa az elektromos tápellátást. Szükség esetén a telepítés alatt kapcsolja ki a fő hálózati tápellátást.

2.3.1. A HATÁROLÓ HUZAL TELEPÍTÉSE

ELHELYEZÉS A RÖGZÍTŐ SZÖGGEKSEL

1. Fektesse le a határoló huzalt a töltőállomás telepítési területétől kiindulva.
2. Fektesse le a huzalt a kijelölt útvonalon és rögzítse a speciális szögekkel (7.B ábra) kb. 100 cm-enként, tartsa be a telepítési előírásokat (lásd 2.2. szak.).
3. Hagyjon rá bő 2 m kábelt a levágáshoz a bekötés befejező fázisát követően.
4. A kanyarokban úgy fektesse le a huzalt, hogy a kanyar sugara kb. 20 cm legyen (7.A ábra).

A HATÁROLÓ HUZAL TELJES HOSSZA	A TELEPÍTÉSSEL KOMPATIBILIS STIGA KÁBELEK	
< 400m	Kód: 1127-0000-01	Tekercs, 150 m Ø 2,7 mm
	Kód: 1127-0001-01	Tekercs, 300 m Ø 2,7 mm
	Kód: 1127-0002-01	Tekercs, 500 m Ø 3,4 mm
	Kód: 1127-0003-01	Tekercs, 1000 m Ø 3,4 mm
≥ 400m, max. 1000m-ig	Kód: 1127-0002-01	Tekercs, 500 m Ø 3,4 mm
	Kód: 1127-0003-01	Tekercs, 1000 m Ø 3,4 mm



FIGYELEM:
 Ellenőrizze, hogy a huzal az útvonal teljes hosszában rögzítve legyen a talajhoz, ezzel elkerülhető, hogy a robotfűnyíró károsítsa.

MEGJEGYZÉS: A telepítéshez használt határoló huzal legyen legalább 40 m hosszú. Ha a huzal ennél rövidebb, fel kell szerelni a 122063053/0 cikkszámú ellenállást. Lásd a teljes használati útmutatót.

2.3.2. A TÖLTŐÁLLOMÁS TELEPÍTÉSE

telepítse a töltőállomást a határoló huzallal egy tengelyen úgy, hogy a robotfűnyíró a határoló huzal mentén óráirányban haladva elérhesse.

1. Ellenőrizze a telepítés feltételeinek meglétét a 2.2. szakasz szerint.
2. Szükség esetén készítse elő a talajt úgy, hogy a töltőállomás alapja a gyepvel egy szinten legyen, a talaj legyen tökéletesen sík és tömör, hogy a töltőállomás alapja ne deformálódjon.
3. Vegye le a fedelet (8.C ábra).
4. Helyezze el a töltőállomást a határoló huzallal egy tengelyen (8.D2 ábra) úgy, hogy a robotfűnyíró a határoló huzal mentén óráirányban haladva elérhesse.
5. Illeszse be a huzal két végét a megfelelő nyílásokba (8.E2 ábra).
6. Vágja le a megfelelő méretre a huzalokat.
7. Szerelje fel az önfűró csatlakozókat a huzalra (9.F ábra), (9.G ábra), (9.H ábra).
8. Kösse be a csatlakozókat a kapcsokhoz (8.I ábra).
9. Rögzítse a töltőállomást (10.L ábra) a talajhoz a rögzítő csavarokkal (10.M ábra).
10. Helyezze vissza a fedelet (10.C ábra).
11. Csatlakoztassa a tápegységet a töltőállomáshoz és csavarozza be a csatlakozót.
12. Csatlakoztassa a tápegység dugós csatlakozóját a hálózati aljzathoz.
13. Ellenőrizze, hogy a töltőállomás jelzőlámpája (10.N ábra) világít-e, amikor a robotfűnyíró nincs az állomáson (lásd az 3.3. fejezetet).

2.4. A ROBOTFŰNYÍRÓ FELTÖLTÉSE A TELEPÍTÉST KÖVETŐEN

Az első feltöltéskor legalább 2 órán át töltsze az akkumulátorokat.

2.5. A TERMÉK BEÁLLÍTÁSA

A robotfűnyíró automatikus működéséhez egy sor beállítás szükséges, amelyeket iOS vagy Android mobil eszköz (okostelefon) segítségével lehet elvégezni a "STIGA GO" alkalmazás telepítését követően.

MEGJEGYZÉS: A rendelkezésre álló funkciók részletes leírását lásd a használati útmutatóban.

3. MŰKÖDÉS

3.1. A ROBOTFŰNYÍRÓ KÉZI ÜZEMMÓDJÁ

A robotfűnyíró a leírt programozás nélkül is használható (lásd a 2.5. szakaszt). Ebben az üzemmódban a robotfűnyíró elvégez egy munkaciklust, visszatér a töltőállomásra és következő kézi indításig ott marad.

1. Helyezze a robotfűnyírót a töltőállomásra vagy a telepítési területen belülré.
2. Nyomja meg a "STOP" gombot (1.A ábra) a fedél (1.B ábra) felnyitásához és a vezérlőpanelhez való hozzáféréshez (1.C ábra).
3. Tartsa nyomva az "ON/OFF" gombot (1.E ábra) 5 másodpercig a robotfűnyíró bekapcsolásához.
4. Tartsa nyomva az "ÜZEMMÓDVÁLASZTÁS" gombot (1.F ábra), amíg csak az ikon (1.L ábra) villog.
5. Nyomja meg a "MEGERŐSÍTÉS" gombot (1.G ábra). Az ikon (1.L ábra) kigyullad és folyamatosan világít, ez jelzi a művelet megerősítését.

6. Zárja vissza a védőfedelet (1.B ábra). A robotfűnyíró megkezdi a munkát.

MEGJEGYZÉS: ez az üzemmód nem garantálja a kert megfelelő gondozását mind a szükséges időráfordítás, mind a fűnyírás egyenletessége szempontjából, főként, ha a kert nem szabályos alakú. A robotfűnyíró maximális hatékonyságának biztosításához ajánlott elvégezni a beprogramozását (lásd a 2.5. szakaszt).

3.2. A ROBOTFŰNYÍRÓ VEZÉRLÉSEINEK LEÍRÁSA

A vezérlések, a kijelzések és funkcióik leírása

- "STOP" gomb (1.A ábra): a robotfűnyíró biztonsági leállítására szolgál.
- "BIZTONSÁGI KULCS" (1.D ábra): a robotfűnyíró biztonsági kikapcsolására szolgál.
- "ON/OFF" gomb (1.E ábra): a robotfűnyíró be- és kikapcsolására és a riasztások nyugtázására szolgál.
- "ÜZEMMÓDVÁLASZTÁS" gomb (1.F ábra): a robotfűnyíró üzemmódjának kiválasztására és a töltőállomásra való visszatérés kényszerítésére szolgál.
- "MEGERŐSÍTÉS" gomb (1.G ábra): a beállított üzemmód megerősítésére szolgál.
- "ÜTEMEZETT PROGRAM" világító ikon (1.I ábra): az ütemezett program beállításának megjelenítésére szolgál.
- "EGYSZERI MUNKACIKLUS" világító ikon (1.L ábra): az egyszeri munkaciklus beállításának megjelenítésére szolgál.
- "VISSZA A TÖLTŐÁLLOMÁSRA" világító ikon (1.H ábra): a robotfűnyírónak a töltőállomásra való visszatérése kényszerítésének beállítása megjelenítésére szolgál.
- A "Bluetooth" gombot (1.M ábra) csak a szerviz használja a diagnosztikai műveletekhez.
- "RIASZTÁS" világító ikon (1.N ábra): a riasztások jelzésére szolgál.
- "AKKUMULÁTOR" világító ikon (1.O ábra): az akkumulátor töltésének jelzésére szolgál.

MEGJEGYZÉS: A fenti vezérlések részletes leírását lásd a teljes használati útmutatóban.

3.3. A TÖLTŐÁLLOMÁS MŰKÖDÉSE

A töltőállomáson egy világító jelzőlámpa van (10.N ábra), mely az alábbiak szerint jelez:

- A jelzőlámpa nem világít: a töltőállomás nincs tápellátás alatt vagy a robotfűnyíró a töltőállomáson van.
- A jelzőlámpa folyamatosan világít: a határoló huzal megfelelően csatlakozik a töltőállomáshoz és a határoló jel adása szabályos.
- A jelzőlámpa lassan villog: a határoló huzal nem csatlakozik vagy megszakadt.
- A jelzőlámpa gyorsan villog: a határoló huzal túl rövid vagy a töltőállomás meghibásodott.

3.4. AZ AKKUMULÁTOR FELTÖLTÉSE

Az "AKKUMULÁTOR TÖLTÉS" lehetővé teszi a robotfűnyíró kézi feltöltését.

1. Helyezze a robotfűnyírót a töltőállomásra (11.R ábra).
2. Tolja be a robotfűnyírót a töltőállomáson a feltöltő csatlakozó kapcsolódásáig (11.S ábra).
3. Nyomja meg a "STOP" gombot (11.A ábra) a fedél (11.B ábra) felnyitásához és a vezérlőpanelhez való hozzáféréshez (11.C ábra).

- Kapcsolja be a robotfűnyírórt az "ON/OFF" gombbal (11.E ábra).
- Az "AKKUMULÁTOR" világító ikon (11.L ábra) villog, a robotfűnyíró feltöltés alatt van.
- Zárja vissza a védőfedelelet (11.B ábra).
- Hagyja a robotfűnyírórt feltöltés alatt legalább az előírt ideig, lásd az 2.4. szakaszt.

MEGJEGYZÉS: A téli elraktározás előtt az akkumulátor feltöltését az előírt módon kell elvégezni, lásd a 4.3. szakaszt.

3.5. A VÁGÁSI MAGASSÁG BEÁLLÍTÁSA

SRSW01 TÍPUSÚ PLATFORM - KÉZI BEÁLLÍTÁS

- Kapcsolja ki biztonságos feltételek között a robotfűnyírórt (lásd az 1.4. szakaszt).
- A vágási magasság beállító gombjával (12.P ábra) állítsa be a kívánt vágási magasságot úgy, hogy a levágott fű hosszúsága ne haladja meg az 10 mm-t.

MEGJEGYZÉS: A robotfűnyíró által lenyírt fű magassága nem haladhatja meg a 10 mm-t.

SRBW01 TÍPUSÚ PLATFORM - ELEKTROMOSAN BEÁLLÍTÁS

Végezze el a nyírési magasság beállítását az alkalmazás varázslója segítségével.
A vágóél magasságát beállító rendszer kezdeti kalibrálást és időszakos kalibrálásokat igényel, amelyek automatikusan végbemennek. A kalibrálás kézzel is elvégezhető az alkalmazás erre a célra szolgáló menüjéből.



FIGYELMEZTETÉS:

Ne érjen a vágóegységhez a vágási magasság beállítása során.

MEGJEGYZÉS: A robotfűnyíró által lenyírt fű magassága nem haladhatja meg a 10 mm-t.

4. KARBANTARTÁS



FIGYELMEZTETÉS:

Kizárólag eredeti cserealkatrészeket használjon.



FIGYELMEZTETÉS:

Ne módosítsa, ne iktassa ki, ne hidalja át és ne távolítsa el gépen levő biztonsági szerkezeteket.



FIGYELMEZTETÉS:

Kéz vágásának veszélye.
Használjon védőkesztyűt a kéz vágásának veszélye elkerülése céljából.



FIGYELMEZTETÉS:

Por szembe kerülésének veszélye.
Használjon védőszemüveget a por szembe jutásának elkerülése céljából.



FIGYELEM:

Túl nagy mennyiségű víz használata esetén a víz a gépbe kerülhet és károsíthatja az elektromos alkatrészeket.



TILTÁS:

Ne használjon nagynyomású vízsugarat.



TILTÁS:

Az elektromos és elektronikus alkatrészek visszafordíthatatlan károsodásának elkerülése céljából ne merítse vízbe részben vagy teljesen a robotfűnyírórt.



TILTÁS:

Ne mossa le a robotfűnyíró belső részzeit az elektromos és elektronikus alkatrészek károsodásának elkerülése céljából.



TILTÁS:

Ne használjon oldószereket vagy benzint a festett felületek és a műanyag részek károsodásának elkerülése céljából.

4.1. TERVSZERŰ KARBANTARTÁS

A jobb működés és a hosszabb élettartam érdekében rendszeresen tisztítsa a gépet és cseréje ki az elhasználódott részeket.

A beavatkozásokat a táblázatban megadott gyakorisággal kell elvégezni.

GYAKORISÁG	ALKATRÉSZ	BEAVATKOZÁS JELLEGE
Hetente	Kés	Tisztítsa meg a kést és ellenőrizze hatékonyságát. (Lásd a 4.2. szakaszt) Ha a kés ütközés hatására elgörbült vagy elkopott, cserélje ki. (Lásd a 4.2. szakaszt)
	Töltő érintkezők	Tisztítsa meg és szükség esetén távolítsa el az oxidációt. (Lásd a teljes használati útmutatót)
Havonta	Robotfűnyíró	Tisztítsa meg. (Lásd a teljes használati útmutatót)
	Töltőállomás és tápkábelek	Ellenőrizze a kopást vagy elhasználódást, szükség esetén cserélje ki. (Lásd a teljes használati útmutatót)
A fűnyírési idény végén vagy félvége, ha a robotfűnyíró nincs használatban	Akkumulátor	Végezze el az akkumulátor elraktározás előtti feltöltését. (Lásd a 4.3. szakaszt)
Évente vagy a fűnyírési idény végén	Robotfűnyíró	Végeztesse el az időszakos műszaki vizsgálatot a márkaszervizzel. (Lásd a 4.1. szakaszt)

A robotfűnyíró megfelelő üzemi állapotának biztosításához évente el kell végeztetni a műszaki vizsgálatot egy felhatalmazott márkaszervizzel.

MEGJEGYZÉS: az éves műszaki vizsgálat elmaradása miatti esetleges hibákra nem érvényes a jótállás.

4.2. A VÁGÓKÉSEK CSERÉJE

1. Kapcsolja ki biztonságos feltételek között a robotfűnyírót (lásd az 1.4. szakaszt).
2. Fordítsa meg a robotfűnyírót, ügyeljen arra, hogy ne sérüljön meg a burkolata.
3. Hajtsa ki a rögzítő csavarokat (14.E ábra).
4. Cserélje ki a vágókéseket (14.D ábra).
5. Szorítsa meg a rögzítő csavarokat (14.E ábra).

4.3. AZ AKKUMULÁTOR TÉLI KARBANTARTÁSA ÉS TÁROLÁS

1. Töltse fel az akkumulátort az alkalmazás varázslója segítségével, amely a "Beállítások" ablakból érhető el.
2. Tisztítsa meg a robotfűnyírót (lásd a teljes használati útmutatót).
3. Száraz, fagytól védett helyen tárolja a robotfűnyíró és győződjön meg arról, hogy ki van-e kapcsolva.

MEGJEGYZÉS: A téli feltöltési eljárásra vonatkozó részletes tudnivalókat lásd a teljes használati útmutatóban.

MEGJEGYZÉS: Az akkumulátorra vonatkozó jótállás érvényességéhez szükség van a feltöltés regisztrálására az alkalmazás révén.

4.4. AZ AKKUMULÁTOR CSERÉJE

Az akkumulátor cseréjére kizárólag a STIGA MŰSZAKI SZERVIZSZOLGÁLATÁNAK SZAKEMBEREI jogosultak. Amennyiben szükségessé válik az akkumulátor cseréje, forduljon a szervizszolgálathoz vagy a márkakereskedőhöz.

5. SZÁLLÍTÁS, RAKTÁROZÁS ÉS SEMLEGESÍTÉS

5.1. SZÁLLÍTÁS

MEGJEGYZÉS: Javasoljuk az eredeti csomagolás használatát a hosszútávú szállításhoz.

1. Kapcsolja ki biztonságos feltételek között a robotfűnyírót (lásd az 1.4. szakaszt).
2. Tisztítsa meg a robotfűnyírót (lásd a teljes használati útmutatót).
3. Emelje fel a robotfűnyíró az erre szolgáló fogantyúnál fogva (15.D ábra) és a szállítás közben ügyeljen arra, hogy a vágókést távol tartsa a testétől.

5.2. TÁROLÁS

A robotfűnyíró vízszintes helyzetben, száraz, fagytól védett helyen kell tárolni, miután elvégezte a tisztítását és az akkumulátor téli feltöltését (lásd 4. fej.). A huzamos üzemszünet alatt bontsa a töltőállomás villamos hálózati csatlakozását.

5.3. ÁRTALMATLANÍTÁS



FIGYELMEZTETÉS:

A robotfűnyíró akkumulátorának eltávolításához forduljon a márkaszervizhez.

1. A termék csomagolásának környezetbarát semlegesítését az erre szolgáló gyűjtő tárolókba helyezve vagy a kijelölt szelektív gyűjtőhelyeken végezze.
2. A robotfűnyíró a helyi törvény előírásainak betartásával semlegesítse.
3. Forduljon a kijelölt hulladékkezelő és újrahasznosító telepekhez, mivel a kiselejtezett robotfűnyíró besorolása a RAEE irányelv szerint: elektromos és elektronikus berendezések hulladéka.
4. A régi vagy lemerült akkumulátorok környezetbarát semlegesítését a gyűjtő tárolókba helyezve vagy a kijelölt szelektív gyűjtőhelyeken végezze.

6. PROBLÉMÁK MEGOLDÁSA



FIGYELMEZTETÉS:

Állítsa le a robotfűnyírót és helyezze biztonságos állapotba (lásd az 1.4. szakaszt).

Az alábbiakban felsoroljuk a munka során esetlegesen bekövetkező lehetséges rendellenességeket.

PROBLÉMA	OKA	MEGOLDÁSOK
Rendellenes rezgések. A robotfűnyíró zajos.	A vágókések vagy a vágótárcsa sérült.	Cserélje ki a sérült alkatrészeket (lásd a 4.2. szakaszt).
	A vágógéység elakadt a lerakódott szennyeződések (szalagok, kötelek, műanyagtörmelék stb.) miatt.	Kapcsolja ki biztonságos feltételek között a robotfűnyírót (lásd az 1.4. szakaszt). Szüntesse meg a vágókések elakadását.
	A robotfűnyírót váratlan akadályok (lehullott ágak, a gyepen felejtett tárgyak stb.) jelenlétében indította el.	Kapcsolja ki biztonságos feltételek között a robotfűnyírót (lásd az 1.4. szakaszt). Távolítsa el az akadályokat és indítsa újra a robotfűnyírót.
	A villanymotor meghibásodott.	Cserélje ki a motort, forduljon a legközelebbi szervizszolgálathoz.
A robotfűnyíró nem áll be megfelelően a töltőállomásra.	Túl magas fű.	Növelje a vágási magasságot (lásd a 3.5. szakaszt).
	A határoló huzal elhelyezése hibás.	A kert előkészítéséhez nyírja le a fűvet egy hagyományos fűnyírógéppel.
	A talaj besüppedt a töltőállomás közelében.	Ellenőrizze a töltőállomás csatlakoztatását (lásd a 2.3.2. szakaszt). Állítsa vissza a töltőállomást a megfelelő pozícióba. (Lásd a 2.3.2. szakaszt).

PROBLÉMA	OKA	MEGOLDÁSOK
A robotfűnyíró rendellenesen működik a körülhatárolt akadályok közelében.	A határoló huzal elhelyezése hibás.	Helyezze el megfelelően a határoló huzalt (órárányban) (lásd a 2.3.1. szakaszt).
A töltőállomás jelzőlámpája nem gyullad ki, amikor a robotfűnyíró nincs a töltőállomáson.	Nincs tápfeszültség vagy a töltőállomás meghibásodott.	Ellenőrizze a tápegység csatlakozását a hálózati aljzathoz. Ellenőrizze a tápegység csatlakozó kábelének épségét.
A töltőállomás jelzőlámpája lassan villog	A határoló huzal nem csatlakozik vagy megszakadt	Ellenőrizze a telepítést és javítsa meg a szakadást (lásd a 2.3. szakaszt).
A töltőállomás jelzőlámpája gyorsan villog	A határoló huzal túl rövid vagy a töltőállomás meghibásodott.	Ellenőrizze, hogy a határoló huzal hosszabb-e a megadott értéknél, lásd a 2.3.2. szakaszt. Ha a probléma nem szűnik meg, forduljon a műszaki szervizszolgálathoz.
A kijelzőn kigyulladt a Warning ikon	Rendellenességet/hibát jelez.	További információt az alkalmazásban vagy a teljes használati útmutatóban talál.

7. MŰSZAKI ADATOK

SPECIFIKÁCIÓK	TYPE: SRSW01 (lásd a termék címkéjét)	TYPE: SRBW01 (lásd a termék címkéjét)
Méreték (alap X magasság X mélység)	413 x 252 x 560 [mm]	529 x 299 x 695 [mm]
A robotfűnyíró súlya	A modelltől függ: 7,9 [kg] - 8,2 [kg] (*) (Mérési bizonytalanság +/-0,1 [kg])	A modelltől függ: 12,8 [kg] - 13,5 [kg] (*) (Mérési bizonytalanság +/-0,1 [kg])
Vágási magasság (Min-Max)	20-60 [mm]	20-65 [mm]
Kés átmérője	180 [mm]	260 [mm]
Vágási sebesség	2850 +/-50 [rpm]	2400 +/-50 [rpm]
Mozgási sebesség	22 [m/perc]	A modelltől függ: 24 [m/perc]; 28 [m/perc] (*)
Maximális dőlésszög	45%	50%
Maximális dőlésszög a kerület mentén		20%
Vágórendszer típusa	4 db. forgó vágókés	6 db. forgó vágókés
A vágóegység kódja	322104105/0	
Mért zajteljesítmény szint	57 [dB] (A)	56 [dB] (A)
Zajkibocsátás mérési bizonytalanság, KWA	1,47 [dB] (A)	0,56 [dB] (A)
Garantált zajteljesítmény szint	59 [dB] (A)	57 [dB] (A)
A kezelő fülénél mért hangnyomásszint	46,3 [dB] (A)	45,2 [dB] (A)
Robotfűnyíró IP-besorolása	IPX5	
Töltőállomás IP-besorolása	IPX1	
Tápegység IP-besorolása	IP67	
Robotfűnyíró üzemi környezeti hőmérséklete [°C]	0 ÷ 50	
Töltőállomás üzemi környezeti hőmérséklete [°C]	-10 ÷ 50	
Tápegység üzemi környezeti hőmérséklete [°C]	-10 ÷ 50	
Munkaterület-kapacitás	A modelltől függ (*)	A modelltől függ (*)
Tápellátás	Input: 100-240 Vac, 1,2 A; Output: 30 Vcc, 2 A Használja az alábbi eredeti kódok egyikét vagy a későbbi frissítéseket (érdeklődjön a STIGA márkakereskedőknél) 118204158/0 (UE) 118204161/0 (UK) 118204163/0 (CH)	Input: 200-240 Vac, 0,8 A; Output: 30 Vcc, 4 A Használja az alábbi eredeti kódok egyikét vagy a későbbi frissítéseket (érdeklődjön a STIGA márkakereskedőknél) 118204159/0 (UE) 118204162/0 (UK) 118204164/0 (CH)
30 Vcc hosszabbító kábelek engedélyezettek	Használja az alábbi eredeti kódok egyikét vagy a későbbi frissítéseket (érdeklődjön a STIGA márkakereskedőknél) Kód: 1127-0010-01, hosszúsága 5 m Kód: 1127-0020-01, hosszúsága 15 m	
Akkumulátor modell	A modelltől függ: 25,2V - 2Ah; 25,2V - 2,5Ah; 25,2V - 5Ah; 25,2V - 6Ah (*)	A modelltől függ: 25,2V - 5Ah; 25,2V - 6Ah; 25,2V - 2x5Ah; 25,2V - 2x6Ah (*)
Feltöltési idő	A modelltől függ: 60 [perc]; 80 [perc]; 150 [perc] (*)	A modelltől függ: 150 [perc]; 180 [perc] (*)
Munkaidő	A modelltől függ: 60 [perc]; 90 [perc]; 150 [perc] (*)	270 [perc]
Kapcsolat	Bluetooth®	Bluetooth®, 4G, 3G, GSM
Navigációs technológia		GNSS

(*) Az adott modellel vonatkozó további részletekért kérjük, tekintse meg az online elérhető teljes használati útmutatót (lásd a QR-kódot e füzet első oldalán).

EESTI KEEL - Itaaliakeelse originaaljuhendi tõlge

Täielik kasutusjuhend on kättesaadav:

▷ veebisaidil stiga.com

▷ rakenduses STIGA GO, mis on kättesaadav App Store'is ja

Google Play's

▷ skaneerides ruutkoodi



MÄRKUS: käesolevas juhendis antud juhised kehtivad kaabliga juhitava robotniiduki kõikide mudelite kohta. Joonised on antud platvormi SRSW01 kohta, kui ei ole täpsustatud teisiti.

MÄRKUS: Käesolev kasutusjuhend sisaldab põhijuhiseid, mis on peamiselt seotud ohutusega. Õigeks paigaldamiseks on vaja juhend hoolikalt läbi lugeda ja kõiki selle juhiseid tähelepanelikult järgida (vt eespool).

1. OHUTUS

KOHUSTUS:

Enne kasutamist lugege kõik juhised tähelepanelikult läbi ja hoidke need edaspidi vaatamiseks alles.

1.1. OHUTUD TÖÖVÕTTED

Väljaõpe

- Lugege juhised tähelepanelikult läbi, õppige juhtseadmeid ja masinat õigesti kasutama.
- Ärge kunagi lubage masinat kasutada lastel, piiratud füüsiliste, taju- või vaimsete võimetega või ilma kogemuste ja teadmisteta isikutel või isikutel, kes ei ole juhendiga tutvunud. Kohalike õigusnormidega võib olla kehtestatud operaatori vanusepiirang.
- Operaator või kasutaja vastutab õnnetuste või ohtude eest kolmandate isikute ees või nende vara suhtes.

Ettevalmistamine

- Veenduge, et perimeetralse piiritlemise automaatsüsteem on õigesti paigaldatud vastavalt juhistele.
- Kontrollige aeg-ajalt ala, kus masinat kasutatakse, ja eemaldage sealt kivid, kepid, juhtmed ja kõik muud võõrkehad, mis võiksid töötamist häirida.
- Kontrollige aeg-ajalt visuaalselt lõiketeri, lõiketerade polte ja niitmisplokki, et kontrollida, et need ei oleks kulunud ega kahjustatud. Vahetage kulunud või kahjustatud lõiketerad ja poldid välja

- paaris, et säilitada masina tasakaal.
- Kui masinat kasutatakse avalikus või üldsusele avatud kohtades, tuleb masina tööala ümber asetada hoiatusmärgid. Märkidel peab olema järgmine tekst: Tähelepanu! Automaatmuruniiduk! Jääge masinast ohutule kaugusele! Hoidke lapsed järelevalve all!“

1.1.1. KASUTAMINE

Üldteave

- Ärge töötage masinaga, kui selle piirded on defektiga või turvaseadmed puuduvad, näiteks ilma kaitseseadisteta.
- Ärge pange käsi või jalgu pöörlevate detailide lähedusse või alla. Hoiduge alati väljaviskeavast eemale.
- Ärge puutuge liikuvaid masinaosi, enne kui need on täielikult seiskunud.
- Masina töötamise ajal kandke alati tugevaid jalatseid ja pikki pükse.
- Ärge tõstke või transportige masinat, kui mootor töötab.
- Eemaldage blokeerimisseade ploki küljest:
 - Enne takistuse kõrvaldamist;
 - Ennemasinakontrollimist, puhastamist või sellel töötamist;
 - Kui masin pörkab vastu võõrkeha, kontrollige, ega masin ei ole kahjustatud;
 - Kui masin hakkab ebanormaalselt vibreerima, kontrollige enne uuesti käivitamist, ega masin ei ole kahjustatud.
- Ärge jätkake masinat tööle ilma järelevalveta koduloomade, laste või teiste lähedal viibivate isikute juuresolekul.

Hooldamine ja hoidmine

- Keerake kõik mutrid, poldid ja kruvid korralikult kinni, et masin oleks kindlas töökorras.
- Kontrollige robotniidukit sageli, et määrata kulumist või seisukorra halvenemist.
- Ohutuse huvides on vaja kulunud või

kahjustatud osad välja vahetada.

- d. Veenduge, et lõiketerad vahetatakse välja ainult sobivate varuosadega.
- e. Veenduge, et akusid laetakse ainult tootja soovitatud õige akulaadijaga. Vale kasutamine võib põhjustada elektrilööki, ülekuumenemist või söövitava vedeliku akust välja voolamist.
- f. Elektrolüüdilekete korral pesta koht vee/neutraliseeriva vahendiga ja vedeliku silma sattumise korral pöörduda arsti juurde jne.
- g. Masina hooldamist tuleb teha tootja juhiste järgi.

Jääkriskid

- Kuigi toode vastab kõigile ohutusnõuetele, võib siiski esineda lisariske, mis on tingitud ebaõigest paigaldamisest ja/või ettenägematutest olukordadest.

Seepärast tuleb jälgida, et tootega töötamise ajal ei ole esemeid, inimesi ega loomi, ning teavitada kõiki isikuid, kellel võib olla kas või aeg-ajalt juurdepääs tööpiirkonnale, võimalikest ohtudest.

- Tormi ajal, kui on äikesoht, ja üldiselt halbade ilmastikuolude korral on soovitatav toodet mitte kasutada ning piirdekaabel laadimisjaamast ja kõik välisseadmed vooluvõrgust lahti ühendada. Toote kasutamiseks ühendage piirdekaabel uuesti ja ühendage välisseadmed uuesti toiteallikaga vastavalt kasutusjuhendis antud juhistele.

1.2. TOOTE KIRJELDUS

Robotniiduk on projekteeritud muru niitmiseks piirdekaabliga piiritletud aiaaladel.

Tööpõhimõte on juhulislik suuna valimine. Robotniiduk muudab teekonda, kui ta tuvastab piirdekaabli või takistuse.

Mistahes muu kasutus võib olla ohtlik ja tekitada kahju inimestele ja/või esemetele. Väärkasutamine on (näiteks, aga mitte ainult): täiskasvanute, laste või loomade vedamine masina peal; masina peal sõitmine; masina kasutamine koormuste vedamiseks või lükkamiseks; masina kasutamine mitte rohttaimede tüüpi taimede niitmiseks.

Järgmist TÜÜPI platvorm: SRBW01 on varustatud 3G/4G-mooduliga koos SIM-kaardiga ja GNSS-mooduliga, mis võimaldavad robotniiduki kaugjuhtimist ja navigatsiooniabi funktsioone.

1.3. SÜMBOLID JA ANDMEPLAADID



TÄHELEPANU:

Enne toote töölepanemist lugege kasutusjuhend läbi.



TÄHELEPANU:

Esemete keha pihta paikumise oht. Masina töötamise ajal hoiduge masinast turvalisele kaugusele.



TÄHELEPANU:

Ärge pange käsi ega jalgu lõikeseadme korpusesse.

Enne masinal tööde tegemist või enne masina üles tõstmist eemaldage blokeerimiseseade.



TÄHELEPANU:

Ärge pange käsi ega jalgu lõikeseadme korpusesse.

Ärge astuge masina peale.



KEELATUD:

Veenduge, et masina töötamise ajal ei ole masina tööalas inimesi (eriti lapsi, vanemaealisi või puuetega inimesi) ega koduloomi.

Hoida lapsed, koduloomad ja teised inimesed töötavast masinast ohutuskauguses.



KEELATUD:

Ärge kasutage masina puhastamiseks või pesemiseks masina peal kõrgsurvepesurit.



III isolatsiooniklassi seade, mis töötab akutoitel (robotniiduk) või spetsiaalse toiteallika (laadimisjaam ja baasjaam) abil.



Kasutage originaaltoiteallikat, mille spetsifikatsioonid on esitatud andmesildil.



Alalisvoolu toiteallika sümbol.

IPXX

Kaitseaste tahkete esemete ja vee sissetungimise vastu.



Elektri- ja elektroonikaseadmete jäätmed, mis tuleb viia utiliseerimiseks ja kõrvaldamiseks spetsiaalsesse jäätmejaama.



Garanteeritud müravõimsuse tase

1.4. ROBOTNIIDUKI SEISKAMINE JA VÄLJALÜLITAMINE OHUTUSTINGIMUSTES



KOHUSTUS:

Lülitage robotniiduk enne igasuguseid puhastamis-, transportimis- või hooldustööinguid välja alati ohutustingimustes.

1. Robotniiduki seiskamiseks vajutage nuppu „STOP“ (Jn 1.A) ja avage kaitsekate (Jn 1.B).
2. Vajutage väljalülitusnuppu (Jn 1.E) mõnisekund ja oodake, kuni nupu LED kustub.
3. Alles pärast seda, kui LED on kustunud (Jn 1.E), võtke turvavõti (Jn 1.D) välja, et robotniiduk ohutustingimustes välja lülitada.
4. Robotniiduk on seisma pandud ja välja lülitatud ohutustingimustes.

2. PAIGALDAMINE



TÄHELEPANU:

Ärge muutke, vältige, eemaldage või kõrvaldage paigaldatud ohutusseadmeid.

MÄRKUS: Toote paigaldamise kohta täiendavateselgituste saamiseks võtke ühendust STIGA edasimüüjaga.

PAIGALDAMISEKS VAJALIKUD KOMPONENDID (Jn 2)
(A) Laadimisjaam, **(B)** Toitesead, **(C)** Piirdekaabel, **(D)** Piirdekaabli kinnitamise naelad, **(E)** Laadimisjaama kinnitamise kruvid, **(F)** Piirdekaabli liitmik, **(G)** Laadimisjaama pistikühendused.

2.1. PAIGALDAMISNÕUETE KONTROLLIMINE

2.1.1. AIA KONTROLLIMINE:

- Kontrollige aia seisukorda vastavalt peatükile 1.
- Nivelleerige maatumik, nii et pärast vihma ei jääks lompe.

2.1.2. KONTROLLIDLAADIMISJAAMAJATOITESAADME PAIGALDAMISEKS:



ELEKTRILINE OHT:

Vaja on riigi sellealastele seadustele vastava pistikupesa valmidust.



ELEKTRILINE OHT:

Kohapealne süsteem peab olema kaitstud diferentsiaalülilitiga (jääkvoolu kaitse seade - RCD), käivitusvooluga kuni 30 mA.



ELEKTRILINE OHT:

Ärge ühendage toiteseadet pistikupessa, kui pistik või kaabel on kahjustatud.

Ärge ühendage ega puutuge kahjustatud kaablit, enne kui see on elektritoitest lahti ühendatud.

Kahjustatud juhe võib põhjustada kontakti voolu all olevate osadega.

1. Valmistage ette muruplatsi serva tasane pind laadimisjaama asetamiseks.

2. Veenduge, et laadimisjaama vahekaugus võimalikest kurvidest oleks vähemalt 200 cm.



TÄHELEPANU:

Toitejuhe, toitesead, pikendusjuhe ja kõik elektrijuhtmed, mis ei kuulu toote juurde, peavad jääma niitmisalast välja, et hoida neid ohtlikest liikuvatest osadest eemal ja vältida juhtmete kahjustamist, mis võivad tekitada kokkupuudet voolupinge all olevate osadega.

3. Valmistage toiteseadme paigaldamise koht ette nii, et see ei jääks mitte mingisugusel ilmastikuoludel vee sisse. Eelistatav on paigaldada toiteseadet suletud ruumi ilmastikumõjude eest kaitstult sellisesse kohta, kuhu volitamata isikud ei pääse kergelt juurde.

2.1.3. PÕHIKONTROLLID PIIRDEKAABLI PAIGALDAMISEKS:

1. Kontrollige, et tööala maksimaalne kalle oleks väiksem või kuni 45% või 50%, olenevalt mudelist (vt p 7 TEHNILISED ANDMED) ja järgige joonisel 3 esitatud eeskirju.



TÄHELEPANU:

Robot saab niita pindasid maksimaalse kaldega 45% või 50%, olenevalt mudelist. Juhiste eiramise korral võib robot libiseda ja tööalast väljuda



TÄHELEPANU:

Alasid, mille kalle on lubatust suurem, ei saa niita. Paigaldage seega piirdekaabel enne kallakut, välistades niitmise sellel murualal.

2. Kontrollige kogu tööpinda: hinnake takistus ja alasid, mis tuleb tööalast välja jätta, mis tuleb piiritleda piirdekaabliga.

2.2. PIIRDEKAABLI PAIGALDAMISE KRITERIUMID

Järgnevalt on esitatud piirdekaabli paigaldamise kriteeriumid, täpsemat teavet vaadake täielikust kasutusjuhendist.

MIINIMUMKAUGUSED		
STRUKTUURI-ELEMENT	KAABLI PAIGALDAMISE MIINIMUMKAUGUS STRUKTUURIELEMENDIST	
TÜÜP	SRSW01	SRBW01
Muruplatsiga samal tasandil asuv sillutus või tee	5 cm	5 cm
Kraav, sein või müür	35 cm	45 cm
Hekk või väljaulatavate juurtega taim	30 cm	40 cm

Bassein, maapinnatasandil veetasemega tiik, kaitsepiirdeta sõidutee	90 cm	100 cm
Bassein või tee kallaku lõpus	150 cm	150 cm

TAKISTUSTE PIIRITLEMISE TÜÜBID

ÜLEMINEK X PIIRDEKAABLI KAHE ERI LÕIGU VAHEL

TÜÜP		
SRSW01	SRBW01	
X _≥ 70 cm (Jn 4)	X _≥ 90 cm (Jn 4)	Takistuse võib piiritleda, pannes edasiminekukaabli ja tagasipöördumise kaabli lõigud kohakuti, ilma neid ristamisi panemata.
X < 70 cm (Jn 5)	X < 90 cm (Jn 5)	Takistuse võib piiritleda, pannes edasiminekukaabli ja tagasipöördumise kaabli kaks lõigud üksteisest vähemalt Y = 30 kaugusele. Kui takistus on piisavalt tugev, võib selle jätta kaitsmata.

ÜLEMINEKUD AIA ERI ALADE VAHEL

KORIDOSI LAIUS Z

TÜÜP		
SRSW01	SRBW01	
Z _≥ 70 cm (Jn 6)	Z _≥ 90 cm (Jn 6)	Robotniiduk saab alasse (Jn 6.A) siseneda.
Z < 70 cm (Jn 6)	Z < 90 cm (Jn 6)	Robotniiduk ei saa siseneda alasse (Jn 6.A) ja seda ala tuleb pidada „Suletud alaks“.

**HOIATUS:**

Tööala ja üldiselt tootja tarnitud akulaadijaid ja toiteseadmeid. Ebasobiv kasutamine võib põhjustada elektrilööke ja/või ülekuumenemist.

Muutke piire sobivaks või hoidke robotniiduk töötamise ajal järelevalve all.

2.3. KOMPONENTIDE PAIGALDAMINE

**ELEKTRILINE OHT:**

Kasutage ainult tootja tarnitud akulaadijaid ja toiteseadmeid. Ebasobiv kasutamine võib põhjustada elektrilööke ja/või ülekuumenemist.

**HOIATUS:**

Kätte löikamise oht.

Kasutada kaitsekindaid, et vältida kätte löikamise ohtu.

**HOIATUS:**

Puru silma sattumise oht.

Kasutage kaitseprille, et vältida puru silma sattumise ohtu.

**ELEKTRILINE OHT:**

Ühendage elektritoide alles pärast kõikide paigaldustööde lõpetamist. Vajaduse korral lülitage paigaldamise ajaks üldine elektritoide välja.

2.3.1. PIIRDEKAABLI PAIGALDAMINE

PAIGALE ASETAMINE VAIADEGA

1. Pange paika piirdekaabel, alustades laadimisjaama paigaldusalast.
2. Asetage kaabel piki trajektoori, kinnitades selle spetsiaalsete vaiadega (Jn 7.B) vahekaugusega umbes 100 cm ja järgides ette antud paigaldusnõudeid (Vtp 2.2).
3. Jätke 2 m kaablit üle, et see pärast ühendamise lõpus moodu järgi parajaks lõigata.
4. Kurvides asetage kaabel nii, et kurvi raadius oleks umbes 20 cm (Jn 7.A).

PIIREKAABLI KOGUPIKKUS	PAIGALDAMISEGA ÜHILDUVAD STIGA KAABLID	
< 400m	Kood 1127-0000-01	Pool 150 m, Ø 2,7 mm
	Kood 1127-0001-01	Pool 300 m, Ø 2,7 mm
	Kood 1127-0002-01	Pool 500 m, Ø 3,4 mm
	Kood 1127-0003-01	Pool 1000 m, Ø 3,4 mm
≥ 400m kuni max 1000m	Kood 1127-0002-01	Pool 500 m, Ø 3,4 mm
	Kood 1127-0003-01	Pool 1000 m, Ø 3,4 mm

**TÄHELEPANU:**

Veenduge, et kaabel oleks kogu pikkuses vastu maad, et vältida, et robotniiduk võiks seda kahjustada.

MÄRKUS: Paigaldamiseks kasutatav piirdekaabel peab olema vähemalt 40 m pikk. Kui kaabli pikkus on lühem, tuleb paigaldada resistor, kood 122063053/0. Vaadake täielikust kasutusjuhendist.

2.3.2. LAADIMISJAAMA PAIGALDAMINE

Paigaldage laadimisjaam piirdekaabli teljele nii, et robot pääseks sellele ligi, navigeerides piirdekaabli peal päripäeva.

1. Kontrollige paigaldusnõudeid, nagu on näidatud punktis 2.2.
2. Kui on vaja maapinda ette valmistada nii, et laadimisjaama pind oleks samal tasandil muruplatsiga, peab maapind olema täiesti tasane ja kõva, et vältida laadimisjaama pinna deformeerumist.
3. Eemaldage kaas (Jn 8.C).

3.2. ROBOTNIIDUKI JUHTSEADMETEKIRJELDUS

Juhtseadmete, indikaatorite ja nende funktsioonide loetelu:

- Nupp „STOP“ (Jn 1.A): seiskab robotniiduki ohutult.
- „TURVAVÕTI“ (Jn 1.D): lülitab robotniiduki ohutult välja.
- Nupp „ON/OFF“ (Jn 1.E): sellega lülitatakse robotniiduk sisse ja välja ning lähtestatakse alarimid.
- Nupuga „REŽIIMIVALIK“ (Jn 1.F) valitakse robotniiduki töörežiim ja pannakse robotniiduk laadimisjaama tagasi pöörduma.
- Nupuga „KINNITA“ (Jn 1.G) kinnitatakse seadistatud töörežiimi.
- Valgustatud ikoon „KAVANDATUD PROGRAMM“ (Jn 1.I): näitab kavandatud programmi seadistust.
- Valgustatud ikoon „ÜKSIK TÖÖTSÜKKE“ (Jn 1.L): näitab üksiku töötsükli seadistust.
- Valgustatud ikoon „TAGASI JAAMA“ (Jn 1.H): näitab robotniiduki tagasi laadimisjaama juhtimise seadistust.
- Nuppu „BLUETOOTH“ (Jn 1.M) kasutatakse ainult teeninduskeskuses diagnostika tegemiseks.
- Valgustatud ikoon „ALARM“ (Jn 1.N): kuvab alarmiolekud.
- Valgustatud ikoon „AKU“ (Jn 1.O): kuvab aku laetuse oleku.

MÄRKUS: Eespool loetletud käskude (juhtseadmete) täpsema kirjelduse leiab täielikust kasutusjuhendist.

3.3. LAADIMISJAAMA TÖÖTAMINE

Laadimisjaam on varustatud signaallambiga (Jn 10.N), mis süttib, nagu on järgnevalt kirjeldatud:

- Signaallamp on kustunud: laadimisjaamas ei ole elektrit sees või robot on laadimisjaamas.
- Signaallamp põleb püsivalt: piirdekaabel on õigesti ühendatud laadimisjaamaga ja piirsignaali edastatakse õigesti.
- Signaallamp vilgub aeglaselt: piirdekaabel ei ole ühendatud või on katkenud.
- Signaallamp vilgub kiiresti: piirdekaabel on liiga lühike või laadimisjaamas on rike.

3.4. AKU LAADIMINE

„AKU LAADIMISE“ toiming võimaldab robotniidukit laadida manuaalselt.

1. Pange robotniiduk laadimisjaama (Jn 11.R).
2. Laske robotniidukil siseneda laadimisjaama, nii et laadimis pistik läheb sisse (Jn 11.S).
3. Robotniiduki seiskamiseks vajutage nuppu „STOP“ (Jn 11.A), et avada kaas (Jn 11.B) ja pääseda ligi juhtpuldile (Jn 11.C).
4. Lülitage robotniiduk sisse nupust „ON/OFF“ (Jn 11.E)
5. Valgustatud ikoon „AKU“ (Jn 11.L) vilgub, robotniiduk laeb.
6. Sulgege kaas (Jn 11.B).
7. Jätke robotniiduk laadima vähemalt sama kauaks, nagu on märgitud punktis 2.4.

MÄRKUS: Aku laadimine enne masina talveks ärapanemist tuleb teha, nagu on kirjeldatud punktis 4.3.

4. Asetage laadimisjaam piirdekaabli teljele (Jn 8.D2) nii, et robot pääseks sellele ligi, navigeerides piirdekaabli peal päripäeva.
5. Kaabli suhtes risti asendis paigaldamise korral sisestage mõlemad kaabli otsad spetsiaalsetesse läbipanemise avadesse (Jn 8.E2).
6. Lõigake kaabli otsad täpselt parajaks.
7. Pange kaablile peale iseaugustavad pistikuühendused (Jn 9.F), (Jn 9.G), (Jn 9.H).
8. Ühendage pistikuühendused klambrite külge (Jn 8.I).
9. Kinnitage laadimisjaam (Jn 10.L) maapinnale kinnituskruvidega (Jn 10.M).
10. Pange kaas peale tagasi (Jn 10.C).
11. Ühendage toiteseadme laadimisjaamaga ja keerake pistikuühendus kinni.
12. Ühendage toiteseadme pistik elektripistikupessa.
13. Kontrollige, et kui robotniiduk ei ole laadimisjaamas, siis on laadimisjaamal signaallamp (Jn 10.N) põleb püsivalt (vt pkt 3.3).

2.4. ROBOTNIIDUKI LAADIMINE PÄRAST PAIGALDAMIST

Akud peavad esimesel laadimisel jääma laadima vähemalt 2 tunniks.

2.5. TOOTE SEADISTUSED

Robotniiduki töötamine automaatrežiimil nõuab rida seadistusi, mida saab teha mobiilseadmega (nutitelefon) iOS või Android, millele on installitud app „STIGA GO“.

MÄRKUS: Saadaval olevate funktsioonide täpsema kirjelduse leiab täielikust kasutusjuhendist.

3. KASUTAMINE

3.1. ROBOTNIIDUKI MANUAALNE TÖÖTAMINE

Robotniidukit saab kasutada ilma programmeerimata, nagu on kirjeldatud (Vt p 2.5). Sellel režiimil teeb robotniiduk töötsükli, läheb tagasi laadimisjaama ja jääb sinna kuni järgmise manuaalse käivitamiseni.

1. Pange robotniiduk laadimisjaama või paigaldusperimeetri sisse.
2. Robotniiduki seiskamiseks vajutage nuppu „STOP“ (Jn 1.A), et avada kaas (Jn 1.B) ja pääseda ligi juhtpuldile (Jn 1.C).
3. Robotniiduki sisselülitamiseks vajutage nuppu „ON/OFF“ (Jn 1.E) 5 sekundit.
4. Vajutage nuppu „REŽIIMIVALIK“ (Joon, kuni ainult ikoon vilgub (Jn 1.L).
5. Vajutage nuppu „KINNITA“ (Jn 1.G). Toimingukinnitamiseks süttib ikoon (Jn 1.L) püsivalt põlema.
6. Sulgege kaas (Jn 1.B). Robotniiduk hakkab tööle.

MÄRKUS: see režiim ei pruugi tagada piisavat aia katmist, nii vajaliku aja kui ka ühtse niitmistulemuse poolest, eriti kui aed on ebakorrapärase kujuga. Robotniiduki maksimaalse tõhususe saavutamiseks on soovitatav teha programmeerimine (Vt p 2.5).

3.5. NIITMISKÕRGUSE REGULEERIMINE

PLATVORMI TÜÜP SRSW01 - KÄSITSI REGULEERIMINE

1. Lülitage robotniiduk ohutult välja (Vt p 1.4).
2. Käsitses kõrgusregulaatorit (Jn 12.P), et valida soovitud niitmiskõrgus, nii et ära niidetav muru osa ei oleks üle 10 mm.

MÄRKUS: Robotniidukiga niidetava rohu kõrgus ei tohi olla üle 10 mm.

PLATVORMI TÜÜP SRBW01 - ELEKTRILISELT REGULEERITAV

Niitmiskõrguse reguleerimiseks järgige rakenduses antud juhiseid.

Lõiketera kõrguse reguleerimise süsteem nõuab algalibreerimist ja perioodilisi kalibreerimisi, mis toimuvad automaatselt. Kalibreerimist saab teha ka käsitsi rakenduse spetsiaalsest menüüst.



HOIATUS:
Niitmiskõrguse reguleerimise ajal ärge lõikeseadet puudutage.

MÄRKUS: Robotniidukiga niidetava rohu kõrgus ei tohi olla üle 10 mm.

4. HOOLDAMINE



HOIATUS:
Kasutage ainult originaalvaruosi.



HOIATUS:
Ärge muutke, vältige, eemaldage või kõrvaldage paigaldatud ohutusseadmeid.



HOIATUS:
Kätte lõikamise oht.
Kasutada kaitsekindaid, et vältida kätte lõikamise ohtu.



HOIATUS:
Puru silma sattumise oht.
Kasutage kaitseprille, et vältida puru silma sattumise ohtu.



TÄHELEPANU:
Liigse vee kasutamine võib põhjustada lekkimist kahjustades elektrilisi komponente.



KEELATUD:
Ärge kasutage surve all veejugasid.



KEELATUD:
Elektriliste ja elektrooniliste komponentide pöördumatu kahjustamise vältimiseks ärge asetage robotit osaliselt ega täielikult, vette.



KEELATUD:
Ärge peske robotniiduki sisemisi osi, et mitte kahjustada elektrilisi ja elektroonilisi komponente.



KEELATUD:

Ärge kasutage lahusteid või bensiini, et mitte kahjustada värvitud pindasid ja plastikkomponente.

4.1. PROGRAMMEERITUD HOOLDUS

Paremini töötamise ja pikema kestvuse tagamiseks veenduge, et te puhastate toodet regulaarselt ja vahetate kulunud osad välja.

Tehke hooldustöid tabelis märgitud sagedusega.

SAGEDUS	KOMPONENT	TÖÖ TÜÜP
Iga nädal	Tera	Puhastage ja kontrollige lõiketera efektiivsust. (Vt p 4.2) Kui lõiketera on lõõgi tõttu paindunud või on kulunud, vahetage see välja. (Vt p 4.2)
	Laadimisikon-taktid	Puhastage ja kõrvaldage võimalik oksüdatsioon. (Vt täielik kasutusjuhend)
Igakuiselt	Robotniiduk	Puhastada. (Vt täielik kasutusjuhend)
	Laadimisjaam ja toitekaablid	Kontrollige, et need ei oleks kulunud või kahjustatud, ja vajaduse korral vahetage välja. (Vt täielik kasutusjuhend)
Niitmishooaja lõpus või kord poolaastas, kui robotniidukit ei kasutata	Aku	Tehke enne hoiule panemist aku laadimine. (Vt p 4.3)
Kord aastas või niitmishooaja lõpus	Robotniiduk	Tehke hooldusteenindus volitatud teeninduskeskuses. (Vt p 4.1)

Hooldusteenindust tuleb teha kord aastas volitatud teeninduskeskuses, et hoida robotniiduk heas töökorras.

MÄRKUS: võimalikke rikkeid iga-aastase hooldusteeninduse tegemata jätmise tõttu garantii ei kata.

4.2. LÕIKETERADE VAHETAMINE

1. Lülitage robotniiduk ohutult välja (Vt p 1.4).
2. Pöörake robotniiduk tagurpidi, pöörates tähelepanu sellele, et te ei kahjusta katte ujuvkatet.
3. Keerake kinnituskruvid lahti (Jn 14.E).
4. Vahetage lõiketerad välja (Jn 14.D).
5. Keerake kinnituskruvid kinni (Jn 14.E)

4.3. AKU TALVEKS HOOLDAMINE JA HOIULE PÄNEMINE

1. Laadige akut vastavalt äpis juhendatud toimingule, mida saab vaadata lehelt „Seaded“.
2. Puhastage robotniiduk (vt täielik kasutusjuhend).
3. Hoidke robotniidukit kuivas kohas ja kaitstult külmumise eest, kontrollides, et see on välja lülitatud.

MÄRKUS: Täpsemat teavet talveks laadimise kohta vt täielik kasutusjuhend.

MÄRKUS: Laadimise registreerimine äpi toiminguga on vajalik aku garantii kehtivuse jaoks.

5.3. JÄÄTME TE UTILISEERIMINE



HOIATUS:

Aku robotniidukist välja võtmiseks pöörduge volitatud teeninduskeskusesse.

4.4. AKU VAHETAMINE

Aku vahetamine kuulub STIGA TEHNILISE TEENINDUSE TÖÖTAJATE AINUPÄDEVUSSE.

Kui aku on vaja välja vahetada, võtke ühendust teeninduskeskusega või edasimüüja endaga.

5. TRANSPORT, LADUSTAMINE JA KÕRVALDAMINE

5.1. TRANSPORTIMINE

MÄRKUS: Pikal vahemaal transportimiseks soovitatakse kasutada originaalpakendit.

- Lülitage robotniiduk ohutult välja (Vt p 1.4).
- Puhastage robotniiduk (vt täielik kasutusjuhend).
- Tõstke robotniidukit spetsiaalselt käepidemest (Jn 15.D) ja kandke ettevaatlikult, et lõiketerad ei puutuks vastu keha.

5.2. HOIDMINE

Robotniidukit tuleb hoida horisontaalasendis kuivas kohas ja kaitstult külmumise eest, olles selle eelnevalt puhastanud ja aku talveks hoiule panemiseks täis laadinud (vt ptk 4). Pikemaks ajaks kasutuseata jätmise korral tuleb laadimisjaam elektrivõrgust lahti ühendada.

6. PROBLEEMIDE LAHENDAMINE



HOIATUS:

Pange robotniiduk seisma ja viige see ohustustingimustesse (Vt p 1.4).

Järgnevalt on loetletud võimalikud tõrked, mis võivad töö ajal esineda.

RIKE	PÕHJUS	PARANDUSVIIS
Ebanormaalne vibratsioon. Robotniiduk on mürarikas.	Ketas või lõiketerad on kahjustatud	Vahetage kahjustatud komponendid välja (Vt p 4.2).
	Niitmisseade on jääkidega (paelad, nõõrid, plastikosad, jne.) kinni kiilunud.	Lülitage robotniiduk ohustustingimustes välja (Vt p 1.4). Vabastage lõiketera blokeerangust.
	Robotniiduk käivitus ettenägematute takistuste (langenud oksad, unustatud esemed, jne.) juures.	Lülitage robotniiduk ohustustingimustes välja (Vt p 1.4). Eemaldage takistused ja käivitage robotniiduk uuesti.
	Elektrimootori avarii.	Vahetage mootor välja, pöörduge lähimasse teeninduskeskusesse.
Rohi liiga kõrge		Tõstke niitmiskõrgust (Vt p 3.5).
		Teha tavalise muruniitjaga alal eelniitmine.
Robotniiduk ei paigutu õigesti laadimisjaama.	Piirdekaabel on valesti kohale asetatud.	Kontrollige laadimisjaama ühendust (Vt p 2.3.2).
	Pinnase vajumine laadimisjaama läheduses.	Taastage laadimisjaama õige asetus. (Vt p 2.3.2).
Robotniiduk käitub piirdekaabliga tähistatud takistuste ümber ebanormaalselt.	Piirdekaabel on valesti paigutatud.	Asetage piirdekaabel uuesti õigesti (päripäeva) (Vt p 2.3.1).
Laadimisjaama signaallamp ei hakka põlema, kui robot on laadimisjaamast väljas.	Toitevool ei ole sees või laadimisjaamas on rike.	Kontrollige, kas toiteaseade on õigesti elektrivõrku ühendatud. Kontrollige, kas toiteaseadme ühendusjuhe on terve.
Laadimisjaama signaallamp süttib aeglase vilkumisega	Piirdekaabel ei ole ühendatud või on katkenud	Kontrollige paigaldust ja parandage katkenud koht (Vt p 2.3)
Laadimisjaama signaallamp süttib kiire vilkumisega	piirdekaabel on liiga lühike või laadimisjaamas on rike.	Kontrollige, et piirdekaabli pikkus oleks suurem, kui on märgitud punktis 2.3.2. Kui probleem ei lahene, võtke ühendust teeninduskeskusega.
Puldil põleb hoiatusikoon	Näitab tõrke/rikke tingimusi.	Vaadake täpsemat teavet äpist või täielikust kasutusjuhendist.

7. TEHNILISED ANDMED

SPETSIFIKATSIOON	TÜÜP: SRSW01 (vt toote etikett)	TÜÜP: SRBW01 (vt toote etikett)
Mõõtmed (AxKxS)	413 x 252 x 560 [mm]	529 x 299 x 695 [mm]
Robotniiduki kaal	See sõltub mudelist: 7,9 [kg] - 8,2 [kg] (*) (Ebakiindlus +/-0,1 [kg])	See sõltub mudelist: 12,8 [kg] - 13,5 [kg] (*) (Ebakiindlus +/-0,1 [kg])
Niitmiskõrgus (Min-Max)	20-60 [mm]	20-65 [mm]
Tera diameeter	180 [mm]	260 [mm]
Niitmiskiirus	2850+/-50 [pööret/min]	2400+/-50 [pööret/min]
Liikumiskiirus	22 [m/min]	See sõltub mudelist: 24 [m/min]; 28 [m/min] (*)
Maksimaalne kalle	45%	50%
Maksimaalne kalle piki perimeetrit		20%
Niitmistüsteemi tüüp	4 pöörlevat lõiketera	6 pöörlevat lõiketera
Lõikeseadme kood	3221041105/0	
Mõõdetud helivõimsuse tase	57 [dB] (A)	56 [dB] (A)
Mürataseme määramatus, KWA	1,47 [dB] (A)	0,56 [dB] (A)
Kindel müravõimsuse tase	59 [dB] (A)	57 [dB] (A)
Helirõhu tase operaatori kuulmisele	46,3 [dB] (A)	45,2 [dB] (A)
Robotniiduki IP-klassifikatsioon	IPX5	
Laadimisjaama IP-klassifikatsioon	IPX1	
Toiteseadme IP-klassifikatsioon	IP67	
Robotniiduki töökeskkonna temperatuur [°C]	0 ÷ 50	
Laadimisjaama töökeskkonna temperatuur [°C]	-10 ÷ 50	
Toiteseadme töökeskkonna temperatuur [°C]	-10 ÷ 50	
Töövõimsus	Sõltub mudelist (*)	Sõltub mudelist (*)
Toide	Sisend: 100-240 VAC, 1,2 A; väljund: 30 VCC, 2 A Kasutage ühte alljärgnevatest algsetest koodidest või hilisematest uuendustest (konsulteerige STIGA volitatud edasimüüjaga) 118204158/0 (EL) 118204161/0 (UK) 118204163/0 (CH)	Sisend: 200-240 VAC, 0,8 A; väljund: 30 VCC, 4 A Kasutage ühte alljärgnevatest algsetest koodidest või hilisematest uuendustest (konsulteerige STIGA volitatud edasimüüjaga) 118204159/0 (EL) 118204162/0 (UK) 118204164/0 (CH)
Lubatud 30 VCC pikendusjuhtmed	Kasutage ühte alljärgnevatest algsetest koodidest või hilisematest uuendustest (konsulteerige STIGA volitatud edasimüüjaga) Kood: 1127-0010-01, Pikkus 5 m Kood: 1127-0020-01, Pikkus 15 m	
Akumudel	See sõltub mudelist: 25,2V - 2Ah; 25,2V - 2,5Ah; 25,2V - 5Ah; 25,2V - 6Ah (*)	See sõltub mudelist: 25,2V - 5Ah; 25,2V - 6Ah; 25,2V - 2x5Ah; 25,2V - 2x6Ah (*)
Laadimisaeg	See sõltub mudelist: 60 [min]; 80 [min]; 150 [min] (*)	See sõltub mudelist: 150 [min]; 180 [min] (*)
Tööaeg	See sõltub mudelist: 60 [min]; 90 [min]; 150 [min] (*)	270 [min]
Ühenduvus	Bluetooth®	Bluetooth®, 4G, 3G, GSM
Navigatsioonitehnoloogia		GNSS

(*) Täiendavaid üksikasju konkreetse mudeli kohta leiate internetist kättesaadavast täielikust kasutusjuhendist (vt QR-koodi käesoleva brošüüri esimesel leheküljel).

Cjelovit Priručnik s uputama raspoloživ je:

▷ na web-mjestu stiga.com

▷ u aplikaciji STIGA GO, raspoloživoj u trgovinama App Store i

Google Play

▷ skeniranjem QR koda



NAPOMENA: upute koje se navode u ovom priručniku vrijede za sve modele robotskih kosilica vođenih žicom. Ako to nije naznačeno, slike se odnose na platformu RRSW01.

NAPOMENA: ovaj priručnik sadrži osnovne upute koje se uglavnom odnose na sigurnost. Za pravilno postavljanje potrebno je pažljivo pročitati i pridržavati se cjelokupnog priručnika s uputama (vidi gore).

d. Signale upozorenja treba smjestiti oko radnog područja stroja ako se on rabi na javnim područjima ili onima otvorenim za javnost. Signali moraju imati sljedeći tekst: "Pozor! Automatska kosilica trave! Držati se daleko od stroja! Nadzirati djecu!".

1.1.1. RAD

Opće informacije

- Nemojte raditi strojem ako su štitnici neispravni ili sigurnosne naprave nisu prisutne, na primjer bez zaštita.
- Ruke ili stopala nemojte nikad stavljati blizu rotirajućih dijelova. Držite se uvijek daleko od otvora za izbacivanje.
- Ne dodirujte dijelove stroja u pokretu prije nego što su se oni potpuno zaustavili.
- Za vrijeme rada stroja uvijek nosite čvrste cipele i duge hlače.
- Dok motor radi, nemojte podizati niti prenositi stroj.
- Skinite s jedinice napravu za onesposobljavanje:
 - Prije uklanjanja nekog začepljenja;
 - Prije kontrole, čišćenja ili vršenja nekog zahvata na stroju;
 - Ako dođe do udarca stranog predmeta, provjerite je li stroj oštećen;
 - Ako stroj počne nepravilno vibrirati, provjerite ima li oštećenja prije nego što ga ponovno pokrenete.
- Nemojte ostavljati stroj da radi bez nadzora ako su u blizini prisutne domaće životinje, djeca ili druge osobe.

Održavanje i čuvanje

- Dobro zategnite sve matice i vijke kako biste osigurali siguran rad stroja.
- Često kontrolirajte da se robotska kosilica nije istrošila ili propala.
- Iz sigurnosnih razloga istrošene ili oštećene dijelove treba zamijeniti.
- Osigurajte da se noževi zamijene samo prikladnim rezervnim dijelovima.

1. SIGURNOST

OBVEZA:

Pažljivo pročitajte prije uporabe i čuvajte za buduće potrebe.

1.1. SIGURNA RADNA PRAKSA

Obuka

- Pažljivo pročitajte upute, upoznajte se s upravljačkim elementima i pravilnom uporabom stroja.
- Nikad ne dopuštajte da se strojem koriste djeca, osobe sa smanjenim tjelesnim, osjetilnim ili umnim sposobnostima odnosno bez iskustva i znanja ili osobe koje nisu upoznate s ovim uputama. Lokalni propisi mogu ograničavati dob rukovatelja.
- Rukovatelj, ili korisnik, smatra se odgovornim za nesreće ili opasnosti koje uključuju treće osobe ili opremu trećih osoba.

Priprema

- Uvjerite se da je automatski sustav za perimetralno ograničenje postavljen pravilno, prema naznakama.
- Periodično pregledavajte područje u kojem se stroj rabi i uklonite kamenje, štapove, kabele i bilo koji drugi strani predmet koji može ometati rad.
- Periodično vizualno pregledavajte noževe, vijke noževa i reznog sklopa kako biste provjerili da se nisu istrošili ili oštetili. Istrošene ili oštećene noževe i vijke mijenjajte u paru, kako bi se održala izbalansiranost stroja.

- e. Uvjerite se da su baterije napunjene ispravnim punjačem baterija koji preporučuje proizvođač. Nepravilna uporaba može prouzročiti električni udar, pregrijavanje ili curenje korozivne tekućine iz baterije.
- f. U slučaju curenja elektrolita operite vodom/sredstvom za neutralizaciju i obratite se liječniku u slučaju dodira s očima itd.
- g. Održavanje stroja treba se obavljati u skladu s uputama proizvođača.

Preostali rizici

- Iako proizvod zadovoljava sve sigurnosne zahtjeve, još uvijek može doći do dodatnih rizika zbog nepravilnog postavljanja i/ili nepredvidivih situacija.

Stoga je nužno da područje u kojem proizvod radi ne sadrži predmete, ljude i životinje, te da sve osobe koje, čak i povremeno, mogu imati pristup radnom području budu obaviještene o mogućim opasnostima.

- U slučaju grmljavinskog nevremena i općenito loših vremenskih uvjeta, preporučuje se da se proizvod ne upotrebljava, da se granična žica odspoji sa stanice za punjenje te da se svi periferni uređaji odspoje s napajanja. Kako biste se mogli koristiti uređajem, ponovno priključite graničnu žicu i periferne uređaje na napajanje u skladu s uputama iz priručnika.

1.2. OPIS PROIZVODA

Robotska kosilica projektirana je za košnju trave u zonama vrta koje su ograničene graničnom žicom.

Princip rada temelji se na nasumičnoj navigaciji. Robotska kosilica mijenja smjer kad detektira graničnu žicu ili neku prepreku.

Bilo koja druga primjena može se pokazati opasnom te prouzročiti štetu osobama i/ili stvarima. Neprimjerena uporaba obuhvaća (na primjer, ali ne i samo): prevoženje osoba, djece ili životinja na stroju; korištenje stroja za vlastiti prijevoz; korištenje stroja za vuču ili guranje tereta; korištenje stroja za košenje vegetacije koja nije travnata.

Platforma TIP: SRBW01 opremljena je 3G/4G modulom sa SIM karticom i GNSS modulom koji joj omogućuju daljinsko upravljanje robotskom kosilicom i funkcijama pomoći u navigaciji.

1.3. SIMBOLI I OZNAČNE PLOČICE



POZOR:

Pročitajte korisničke upute prije nego što pokrenete rad proizvoda.



POZOR:

Opasnost od odbacivanja predmeta! prema tijelu.

Za vrijeme rada držite se na sigurnosnoj udaljenosti od stroja.



POZOR:

Nemojte uvlačiti ruke i stopala unutar sjedišta noža.

Uklonite napravu za onesposobljavanje prije vršenja zahvata na stroju ili prije njegovog podizanja.



POZOR:

Nemojte uvlačiti ruke i stopala unutar sjedišta noža.

Nemojte se penjati na stroj.



ZABRANA:

Uvjerite se da za vrijeme rada stroja u radnom području nema osoba (povrh svega djece, starijih osoba ili osoba s invaliditetom) i domaćih životinja.

Držite djecu, domaće životinje i osobe na sigurnosnoj udaljenosti kad stroj radi.



ZABRANA:

Stroj nemojte čistiti ni prati visokotlačnim čisticama.



Uređaj III. razreda izolacije, pogonjen baterijom (robotska kosilica) ili odgovarajućim napajanjem (baza za punjenje i referentna stanica).



Upotrebljavajte originalno napajanje sa svojstvima prikazanim na natpisnoj pločici.



Simbol napajanja istosmjernom strujom.

IPXX

Stupanj zaštite od prodora krutih predmeta i vode.



Otpad od električne i elektroničke opreme koji se treba dostaviti u za to odgovarajuće objekte za recikliranje i odlaganje.



Zajamčena razina zvučne snage

1.4. ZAUSTAVLJANJE I ISKLJUČIVANJE ROBOTSKA KOSILICE U SIGURNIM UVJETIMA



OBVEZA:

Uvijek isključite robotsku kosilicu u sigurnim uvjetima prije obavljanja bilo kakve radnje čišćenja, prijevoza/prenošenja, održavanja.

1. Pritisnite gumb "STOP" (sl. 1.A) kako biste robotsku kosilicu zaustavili u sigurnim uvjetima pa otvorite zaštitni poklopac (sl. 1.B).
2. Pritisnite gumb za isključivanje (sl. 1.E) i držite ga pritisnutim nekoliko sekundi te pričekajte da se LED žaruljica gumba isključi.
3. Tek nakon što se LED žaruljica isključi (sl. 1.E), izvadite sigurnosni ključ (sl. 1.D) kako biste robotsku kosilicu isključili u sigurnim uvjetima.
4. Robotska kosilica je zaustavljena ili isključena u sigurnim uvjetima.

2. POSTAVLJANJE



POZOR:

Nemojte vršiti preinake ni neovlaštene izmjene, nemojte osušećivati ni uklanjati postavljene sigurnosne naprave.

NAPOMENA: Za daljnja objašnjenja u vezi s postavljanjem proizvoda stupite u kontakt s prodavačem STIGA.

KOMPONENTE ZA POSTAVLJANJE (sl. 2)

(A) Baza za punjenje, (B) Napajač, (C) Granična žica, (D) Pričvrtni klinovi za graničnu žicu, (E) Pričvrtni vijci baze za punjenje, (F) Spojnica za graničnu žicu, (G) Konektori za bazu za punjenje.

2.1. PROVJERA ISPUNJAVANJA ZAHTJEVA ZA POSTAVLJANJE

2.1.1. PROVJERA VRTA:

- Provjerite stanje vrta prema onome što se navodi u 1. pogl.
- Nivelirajte teren tako da se u slučaju kiše ne stvaraju lokve.

2.1.2. PROVJERE ZA POSTAVLJANJE BAZE ZA PUNJENJE I NAPAJAČA:



ELEKTRIČNA OPASNOST:

Potrebno je pripremiti električnu utičnicu u skladu s važećim zakonima iz tog područja u dotičnoj zemlji.



ELEKTRIČNA OPASNOST:

Dobiveni krug treba biti zaštićen diferencijalnom sklopkom (RCD) čija struja aktiviranja nije veća od 30 mA.



ELEKTRIČNA OPASNOST:

Nemojte spajati napajač na električnu utičnicu ako su se utikač ili kabel oštetili. Nemojte spajati niti dodirivati oštećeni kabel prije nego što ste ga odspojili iz napajanja. Oštećeni kabel može dovesti u kontakt s dijelovima pod naponom.

1. Na rubu travnjaka pripremite ravnu zonu za namještanje baze za punjenje.
2. Uvjerite se da je udaljenost od baze do eventualnih zavoja najmanje 200 cm.



POZOR:

Kabel za napajanje, napajač, produžni kabel i svaki drugi električni kabel koji ne pripada proizvodu moraju ostati izvan područja košenja kako bi ih se držalo daleko od opasnih dijelova u pokretu i izbjegla oštećenja kabela koja mogu dovesti u dodir s dijelovima pod naponom.

3. Pripremite zonu za postavljanje napajача tako da se on ni u kakvim atmosferskim uvjetima neće naći uronjen u vodu. Poželjno ga je postaviti u zatvorenu prostoriju i zaštićen od atmosferskih utjecaja, u položaju koji neće biti lako dostupan neovlaštenim osobama.

2.1.3. GLAVNE PROVJERE ZA POSTAVLJANJE GRANIČNE ŽICE:

1. Provjerite je li maksimalni nagib radnog područja manji ili jednak 45% ili 50% ovisno o modelu (vidi odl. 7. TEHNIČKI PODACI) i pridržavajte se pravila na slici 3.



POZOR:

Robot može kositi površine s maksimalnim nagibom 45% ili 50% ovisno o modelu. U slučaju nepoštovanja uputa robot bi mogao skliznuti i izaći iz radnog područja



POZOR:

Zone s nagibom većim od onih dopuštenih nije moguće kositi. Namjestite, dakle, graničnu žicu prije nagiba izuzimajući iz košenja tu zonu travnjaka.

2. Provjerite cijelu radnu površinu: procijenite prepreke i zone koje treba izuzeti iz radnog područja, a koje će trebati ograničiti graničnom žicom.

2.2. KRITERIJI ZA POSTAVLJANJE GRANIČNE ŽICE

U nastavku se navode kriteriji za postavljanje granične žice; detaljnije informacije pogledajte u cjelovitom priručniku s uputama.

MINIMALNE UDALJENOSTI			
STRUKTURNI ELEMENT	MINIMALNA UDALJENOST POSTAVLJANJA KABELA U ODNOSU NA STRUKTURNI ELEMENT		
	TIP	SRSW01	SRBW01
Podna obloga ili putić u razini travnjaka	5 cm	5 cm	
Jarak, zid ili zidić	35 cm	45 cm	
Živica ili biljka sa stršćimkorijenjem	30 cm	40 cm	

Bazen, jezero s preljevom, nezaštićena javna cesta	90 cm	100 cm
Bazen ili cesta na kraju padine	150 cm	150 cm

NAČINI OGRANIČAVANJA PREPREKA		
PROLAZ X IZMEĐU DVIJE RAZLIČITE SEKCIJE GRANIČNE ŽICE		
TIP		
SRSW01	SRBW01	
X ≥ 70 cm (sl. 4)	X ≥ 90 cm (sl. 4)	Prepreku se može ograničiti stavljajući polaznu i povratnu sekciju žice jednu preko druge bez križanja.
X < 70 cm (sl. 5)	X < 90 cm (sl. 5)	Prepreku se može ograničiti udaljavanjem dviju sekcija žice, polazne i povratne, za najmanje Y = 30 cm. Ako je prepreka dovoljno robusna, može se ostaviti nezaštićena.

PROLAZI IZMEĐU RAZLIČITIH ZONA VRTA		
ŠIRINA PROLAZA Z		
TIP		
SRSW01	SRBW01	
Z ≥ 70 cm (sl. 6)	Z ≥ 90 cm (sl. 6)	Zonu (sl. 6.A) robotska kosilica ne može dostignuti.
Z < 70 cm (sl. 6)	Z < 90 cm (sl. 6)	Zonu (sl. 6.A) robotska kosilica ne može dostignuti i smatra se da je to "Zatvoreno područje".

**UPOZORENJE:**

Radno područje i općenito zone po kojima robotska kosilica može navigirati moraju biti ograničene neprelaznom ogradom. Ogradu učinite prikladnom ili nadzirite robotsku kosilicu tijekom rada.

2.3. POSTAVLJANJE KOMPONENTI**ELEKTRIČNA OPASNOST:**

Koristite se samo punjačem baterije i napajačem koje dostavlja proizvođač. Neprikladna uporaba može prouzročiti električni udar i/ili pregrijavanje.

**UPOZORENJE:**

Opasnost od rezanja ruku.

Nosite zaštitne rukavice kako biste izbjegli opasnosti od rezanja ruku.

**UPOZORENJE:**

Opasnost od prašine u očima.

Nosite zaštitne naočale kako biste izbjegli opasnosti od prašine u očima.

**ELEKTRIČNA OPASNOST:**

Električno napajanje spojite tek na završetku svih radnji postavljanja. Ako treba, tijekom postavljanja deaktivirajte glavno električno napajanje.

2.3.1. POSTAVLJANJE GRANIČNE ŽICE**NAMJEŠTANJE POMOĆU KLIHOVA**

- Namjestite graničnu žicu polazeći od zone postavljanja baze za punjenje.
- Namjestite žicu duž cijelog puta i pričvrstite je odgovarajućim klinovima (sl. 7.B) razmaknutim otprilike 100 cm, ispunjavajući navedene zahtjeve postavljanja (pogledajte odlomak 2.2).
- Ostavite 2 m više žice koju ćete naknadno izrezati po mjeri, u završnoj fazi priključivanja.
- U zavojima namjestite žicu tako da polumjer zavoja bude otprilike 20 cm (sl. 7.A).

UKUPNA DULJINA GRANIČNE ŽICE	KABELI TVRTKE STIGA KOMPATIBILNI S INSTALACIJOM	
< 400 m	Šifra 1127-0000-01	Bubanj od 150 m, Ø 2,7 mm
	Šifra 1127-0001-01	Bubanj od 300 m, Ø 2,7 mm
	Šifra 1127-0002-01	Bubanj od 500 m, Ø 3,4 mm
	Šifra 1127-0003-01	Bubanj od 1000 m, Ø 3,4 mm
≥ 400 m do maks. 1000 m.	Šifra 1127-0002-01	Bubanj od 500 m, Ø 3,4 mm
	Šifra 1127-0003-01	Bubanj od 1000 m, Ø 3,4 mm

**POZOR:**

Uvjerite se da žica po cijeloj svojoj dužini dodiruje tlo, kako biste izbjegli da se robotska kosilica ošteti.

NAPOMENA: Dužina granične žice korištene za postavljanje mora biti najmanje 40 m. Ako je dužina žice manja, potrebno je postaviti otpornik šif. 122063053/0. Pogledajte cjeloviti priručnik s uputama.

2.3.2. POSTAVLJANJE BAZE ZA PUNJENJE

Postavite bazu za punjenje u osi s graničnom žicom tako da joj robot može pristupiti i navigirajući po graničnoj žici u smjeru kazaljke na satu.

- Provjerite jesu li ispunjeni zahtjevi za postavljanje kao što se navodi u odl. 2.2.
- Ako treba, pripremite teren tako da površina baze za punjenje bude u razini travnjaka, teren mora biti savršeno ravan i zbijen kako bi se izbjeglo deformiranje podića baze za punjenje.
- Skinite poklopac (sl. 8.C).
- Namjestite bazu za punjenje u osi s graničnom žicom (sl. 8.D2) tako da joj robot može pristupiti navigirajući po graničnoj žici u smjeru kazaljke na satu.

- Uvucite dva kraja žice u odgovarajuće prozage (sl. 8.E2).
- Izrežite krajeve žice na točnu mjeru.
- Stavite samobušeće konektore na žicu (sl. 9.F), (sl. 9.G), (sl. 9.H).
- Spojite konektore na stezaljke (sl. 8.I).
- Pričvrstite bazu za punjenje (sl. 10.L) na teren pričvrstnim vijcima (sl. 10.M).
- Ponovno namjestite poklopac (sl. 10.C).
- Spojite napajač na bazu za punjenje i navijte konektor.
- Spojite utikač napajaača u električnu utičnicu.
- Provjerite je li, kad robotska kosilica nije u bazi za punjenje, kontrolno svjetlo na bazi za punjenje (sl. 10.N) stalno upaljeno (vidjeti pogl. 3.3).

2.4. PUNJENJE ROBOTSKE KOSILICE NAKON POSTAVLJANJA

Prilikom prvog punjenja baterije se moraju puniti najmanje 2 sata.

2.5. POSTAVKE PROIZVODA

Automatski način rada robotske kosilice zahtijeva niz postavki koje se može namjestiti pomoću mobilnog uređaja (pametnog telefona) iOS ili Android putem instalirane aplikacije "STIGA GO".

NAPOMENA: Detaljniji opis raspoloživih funkcija pogledajte u cjelovitom priručniku s uputama.

3. RAD

3.1. RUČNI NAČIN RADA ROBOTSKE KOSILICE

Robotskom kosilicom može se koristiti i bez opisanog programiranja (vidi odl. 2.5). Na taj način robotska kosilica izvodi jedan ciklus rada, vraća se u bazu za punjenje i tu ostaje sve do sljedećeg ručnog pokretanja.

- Stavite robotsku kosilicu na bazu za punjenje ili u svakom slučaju unutar perimetra postavljanja.
- Pritisnite gumb "STOP" (sl. 1.A) kako biste otvorili poklopac (sl. 1.B) i pristupili upravljačkoj konzoli (sl. 1.C).
- Pritisnite gumb "ON/OFF" (sl. 1.E) u trajanju od 5 sekunde kako biste uključili robotsku kosilicu.
- Pritišćite gumb "ODABIR NAČINA" (sl. 1.F) sve dok ne bude treptala samo ikona (sl. 1.L).
- Pritisnite gumb "POTVRDI" (sl. 1.G). Ikona (sl. 1.L) stalno svijetli, što potvrđuje radnju.
- Zatvorite poklopac (sl. 1.B). Robotska kosilica krenut će s radom.

NAPOMENA: ovaj način možda neće jamčiti primjereno pokrivanje vrta i u smislu potrebnog vremena, i u smislu ujednačenosti rezultata košnje, posebno ako je vrt nepravilnog oblika. Za postizanje maksimalne učinkovitosti robotske kosilice preporučuje se njezino programiranje (vidi odl. 2.5).

3.2. OPIS UPRAVLJAČKIH ELEMENATA PRISUTNIH NA ROBOTSKOJ KOSILICI

Popis upravljačkih elemenata, indikatora i njihovih funkcija:

- Gumb "STOP" (sl. 1.A): služi za sigurno zaustavljanje robotske kosilice.
- "SIGURNOSNI KLJUČ" (sl. 1.D): služi za sigurno isključivanje robotske kosilice.

- Gumb "ON/OFF" (sl. 1.E): služi za uključivanje i isključivanje robotske kosilice i za resetiranje alarma.
- Gumb "ODABIR NAČINA" (sl. 1.F): služi za odabir načina rada robotske kosilice i za prisilno vraćanje u bazu za punjenje.
- Gumb "POTVRDI" (sl. 1.G): služi za potvrđivanje postavljenog načina rada.
- Svjetlosna ikona "PLANIRANI PROGRAM" (sl. 1.I): služi za prikazivanje postavke planiranog programa.
- Svjetlosna ikona "POJEDINAČNI CIKLUS RADA" (sl. 1.L): služi za prikazivanje postavke pojedinačnog ciklusa rada.
- Svjetlosna ikona "VRACANJE U BAZU" (sl. 1.H): služi za prikazivanje postavke prisilnog vraćanja u bazu za punjenje robotske kosilice.
- Gumb "BLUETOOTH" (sl. 1.M): služi jedino servisnom centru za aktivnost dijagnostike.
- Svjetlosna ikona "ALARM" (sl. 1.N): služi za prikazivanje statusa alarma.
- Svjetlosna ikona "BATERIJA" (sl. 1.O): služi za prikazivanje napunjenosti baterije.

NAPOMENA: Detaljniji opis prethodno navedenih upravljačkih elemenata pogledajte u cjelovitom priručniku s uputama.

3.3. RAD BAZE ZA PUNJENJE

Baza za punjenje ima jedno kontrolno svjetlo (sl. 10.N) koje svijetli kako se navodi u nastavku:

- Ugašeno kontrolno svjetlo: baza za punjenje se ne napaja ili je robot u bazi.
- Kontrolno svjetlo stalno svijetli: granična žica pravilno je povezana s bazom za punjenje i perimetralni signal pravilno se odašilje.
- Kontrolno svjetlo sporo trepće: granična žica nije povezana ili je prekinuta.
- Kontrolno svjetlo brzo trepće: granična žica je prekratka ili postoji kvar u bazi za punjenje.

3.4. PUNJENJE BATERIJE

Postupak "PUNJENJE BATERIJE" omogućava ručno punjenje robotske kosilice.

- Namjestite robotsku kosilicu na bazu za punjenje (sl. 11.R).
- Kliznite robotsku kosilicu po bazi za punjenje sve dok se konektor za punjenje ne ukopča (sl. 11.S).
- Pritisnite gumb "STOP" (sl. 11.A) kako biste otvorili poklopac (sl. 11.B) i pristupili upravljačkoj konzoli (sl. 11.C).
- Uključite robotsku kosilicu tipkom "ON/OFF" (sl. 11.E).
- Svjetlosna ikona "BATERIJA" (sl. 11.L) trepće: robotska kosilica se puni.
- Zatvorite poklopac (sl. 11.B).
- Pustite da se robotska kosilica puni najmanje onoliko vremena koliko se navodi u odl. 2.4.

NAPOMENA: Prije zimskog skladištenja bateriju treba napuniti kao što se navodi u odl. 4.3.

3.5. PODEŠAVANJE VISINE KOŠNJE

PLATFORMA TIP SRSW01 – RUČNO PODEŠAVANJE

- Isključite robotsku kosilicu u sigurnim uvjetima (pogledajte odlomak 1.4).
- Regulatorom visine (sl. 12.P) odaberite željenu visinu košnje tako da pokošeni dio trave ne premašuje 10 mm.

NAPOMENA: Dužina dijela trave koju robotska kosilica pokosi ne smije premašivati 10 mm.

PLATFORMATIPSRBW01 – ELEKTRIČNO PODEŠAVANJE

Kako biste podesili visinu košnje slijedite vođeni postupak u APLIKACIJI.

Sustav podešavanja visine oštrice zahtijeva početno umjeravanje i periodična umjeravanja koja se obavljaju automatski. Umjeravanje se može izvršiti i ručno iz odgovarajućeg izbornika u aplikaciji.



UPOZORENJE:

Za vrijeme podešavanja visine košnje nemojte dirati nož.

NAPOMENA: Dužina dijela trave koju robotska kosilica pokosi ne smije premašivati 10 mm.

4. ODRŽAVANJE



UPOZORENJE:

Koristite samo originalne rezervne dijelove.



UPOZORENJE:

Nemojte vršiti preinake ni neovlaštene izmjene, nemojte osujećivati ni uklanjati postavljene sigurnosne naprave.



UPOZORENJE:

Opasnost od rezanja ruku. Nosite zaštitne rukavice kako biste izbjegli opasnosti od rezanja ruku.



UPOZORENJE:

Opasnost od prašine u očima. Nosite zaštitne naočale kako biste izbjegli opasnosti od prašine u očima.



POZOR:

Pretjerana uporaba vode može prouzročiti prodiranje koja će oštetiti električne komponente.



ZABRANA:

Nemojte se služiti vodenim mlazovima pod tlakom.



ZABRANA:

Da se električne i elektroničke komponente ne bi nepopravljivo oštetile, robotsku kosilicu nemojte uranjati, djelomično ni potpuno, u vodu.



ZABRANA:

Nemojte prati unutarnje dijelove robotske kosilice da ne biste oštetili električne i elektroničke komponente.



ZABRANA:

Nemojte rabiti otapala ili benzin da ne biste oštetili obojene površine i plastične komponente.

4.1. PROGRAMIRANO ODRŽAVANJE

Za bolji rad i dulje trajanje osigurajte redovito čišćenje proizvoda i zamjenu istrošenih dijelova.

Zahvate vršite učestalošću koja se navodi u tablici.

UČESTALOST	KOMPONENTA	VRSTA ZAHVATA
Tjedno	Nož	Očistite i kontrolirajte učinkovitost noža. (Vidi odl. 4.2) Ako se nož savio zbog udarca ili se istrošio, zamijenite ga. (Vidi odl. 4.2)
	Kontakti za punjenje	Očistite i uklonite eventualnu oksidaciju. (Pogledajte cjeloviti priručnik s uputama)
Mjesečno	Robotska kosilica	Očistite. (Pogledajte cjeloviti priručnik s uputama)
	Baza za punjenje i kabeli za napajanje	Kontrolirajte istrošenost ili propadanje i ako treba, zamijenite ih. (Pogledajte cjeloviti priručnik s uputama)
Na završetku sezone košnje ili svakih šest mjeseci ako se robotska kosilica ne rabi	Baterija	Napunite prije skladištenja baterije. (Vidi odl. 4.3)
Godišnje ili na završetku sezone košnje	Robotska kosilica	Izvršite servisiranje po obrascu u ovlaštenom servisnom centru. (Vidi odl. 4.1)

Jednom godišnje treba izvršiti servisno održavanje po obrascu u ovlaštenom servisnom centru kako bi se robotska kosilica održavala u dobrom radnom stanju.

NAPOMENA: neće se priznati jamstvo za eventualne kvarove nastale zbog neizvršenog godišnjeg servisiranja po obrascu.

4.2. ZAMJENA NOŽEVA

1. Isključite robotsku kosilicu u sigurnim uvjetima (pogledajte odlomak 1.4).
2. Prevrnite robotsku kosilicu pazeći da ne oštetite plutajući poklopac za pokrivanje.
3. Odvijte pričvrzne vijke (sl. 14.E).
4. Zamijenite noževe (sl. 14.D).
5. Zategnite pričvrzne vijke (sl. 14.E).

4.3. ZIMSKO ODRŽAVANJE BATERIJE I SKLADIŠTENJE

1. Napunite bateriju prema vođenom postupku u aplikaciji, kojem možete pristupiti sa stranice "Postavke".
2. Očistite robotsku kosilicu (pogledajte cjeloviti priručnik s uputama).
3. Čuvajte robotsku kosilicu na suhom mjestu i zaštićenu od leda, uvjerivši se da je isključena.

NAPOMENA: Detaljnije informacije o postupku zimskog punjenja pogledajte u cjelovitom priručniku s uputama.

NAPOMENA: Registriranje punjenja putem postupka u aplikaciji potrebno je u svrhu valjanosti jamstva za bateriju.

4.4. ZAMJENA BATERIJE

Zamjena baterije isključiva je kompetencija OSOBLJA TEHNIČKE PODRŠKE STIGA.

Ako bude trebalo zamijeniti bateriju, stupite u kontakt sa servisnim centrom ili svojim prodavačem.

5. PRIJEVOZ/PRENOŠENJE, SKLADIŠTENJE I ODLAGANJE

5.1. PRIJEVOZ/PRENOŠENJE

NAPOMENA: Savjetujemo uporabu originalne ambalaže za prijevoz/prenošenje na velike udaljenosti.

1. Isključite robotsku kosilicu u sigurnim uvjetima (pogledajte odlomak 1.4).
2. Očistite robotsku kosilicu (pogledajte cjeloviti priručnik s uputama).
3. Podignite robotsku kosilicu za odgovarajuću ručku (sl. 15.D) i prenosite je pazeći da nož držite daleko od tijela.

5.2. SKLADIŠTENJE

Robotsku kosilicu morate skladištiti u vodoravnom položaju, na suhom mjestu i zaštićenu od leda, nakon što ste je očistili i izvršili zimsko punjenje baterije (vidjeti pogl. 4). Tijekom dugih razdoblja nekoristenja iskopčajte bazu za punjenje iz električne mreže.

6. RJEŠAVANJE PROBLEMA



UPOZORENJE:

Zaustavite robotsku kosilicu i uspostavite sigurne uvjete (vidi odl. 1.4).

U nastavku se navodi popis eventualnih nepravilnosti do kojih bi moglo doći u fazi rada.

NEPOGODNOST	UZROCI	RJEŠENJA
Neobično vibriranje. Robotska kosilica je bučna.	Rezni disk ili noževi su oštećeni	Zamijenite oštećene komponente (vidi odl. 4.2).
	Nož je blokiran ostacima (vrpce, užad, plastične krhotine itd.).	Isključite robotsku kosilicu u sigurnim uvjetima (vidi odl. 1.4). Deblokirajte nož.
	Robotska kosilica se pokrenula u prisutnosti nepredviđenih prepreka (pale grane, zaboravljeni predmeti itd.).	Isključite robotsku kosilicu u sigurnim uvjetima (vidi odl. 1.4). Uklonite prepreke i ponovno pokrenite robotsku kosilicu.
	Električni motor je u kvaru. Trava je previsoka.	Zamijenite motor, obratite se najbližem servisnom centru. Povećajte visinu košnje (vidi odl. 3.5). Preliminarno pokosite područje običnom kosilicom trave.
Robotska kosilica ne namješta se pravilno unutar stanice za punjenje.	Pogrešan položaj granične žice.	Provjerite spoj stanice za punjenje (vidi odl. 2.3.2).
	Upuštanje terena u blizini baze za punjenje.	Ponovno pravilno namjestite bazu za punjenje. (vidi odl. 2.3.2).
Robotska kosilica neuobičajeno se ponaša oko ograničenih prepreka.	Granična žica pogrešno je položena.	Ponovno pravilno namjestite graničnu žicu (u smjeru kazaljke na satu) (vidi odl. 2.3.1).
Kontrolno svjetlo baze za punjenje ne pali se kad je robot izvan baze za punjenje.	Nedostaje napon napajanja ili postoji kvar u bazi za punjenje.	Provjerite je li napajatelj pravilno priključen na električnu utičnicu. Provjerite cjelovitost spojnog kabela napajanja.
Kontrolno svjetlo baze za punjenje pali se i sporo trepće	Granična žica nije povezana ili je prekinuta	Provjerite postavljanje i popravite puknuće (vidi odl. 2.3)
Kontrolno svjetlo baze za punjenje pali se i brzo trepće	granična žica je prekratka ili postoji kvar u bazi za punjenje.	Provjerite je li dužina granične žice veća od one naznačene u odl. 2.3.2. Ako problem traje, stupite u kontakt sa servisnim centrom.
Na tipkovnici je upaljena ikona Upozorenje	Signalizira stanja Nepravilnost/Kvar.	Pogledajte u aplikaciji za više informacija ili pogledajte cjeloviti priručnik s uputama.

7. TEHNIČKI PODACI

SPECIFIKACIJE	TIP: SRSW01 (pogledajte oznaku proizvoda)	TIP: SRBW01 (pogledajte oznaku proizvoda)
Dimenzije (DxVxŠ)	413 x 252 x 560 [mm]	529 x 299 x 695 [mm]
Težina robotske kosilice	Ovisno o modelu: 7,9 [kg] - 8,2 [kg] (*) (Nesigurnost +/-0,1 [kg])	Ovisno o modelu: 12,8 [kg] - 13,5 [kg] (*) (Nesigurnost +/-0,1 [kg])
Visina košnje (Min.-Maks.)	20-60 [mm]	20-65 [mm]
Promjer noža	180 [mm]	260 [mm]
Brzina košnje	2850+/-50 [o/min]	2400+/-50 [o/min]
Brzina kretanja	22 [m/min]	Ovisno o modelu: 24 [m/min]; 28 [m/min] (*)
Maksimalni nagib	45%	50%
Maksimalni nagib duž perimetra	20%	
Tip sustava za košnju	4 zakretna noža za košnju	6 zakretna noža za košnju
Šifra noža	322104105/0	
Razina otkrivene zvučne snage	57 [dB] (A)	56 [dB] (A)
Nesigurnost emisija buke, kWA	1,47 [dB] (A)	0,56 [dB] (A)
Jamčena razina zvučne snage	59 [dB] (A)	57 [dB] (A)
Razina zvučnog tlaka u uhu rukovatelja	46,3 [dB] (A)	45,2 [dB] (A)
Klasifikacija IP robotske kosilice	IPX5	
Klasifikacija IP stanice za punjenje	IPX1	
Klasifikacija IP napajача	IP67	
Okolna temperatura za rad robotske kosilice [°C]	0 ÷ 50	
Okolna temperatura za rad stanice za punjenje [°C]	-10 ÷ 50	
Okolna temperatura za rad napajача [°C]	-10 ÷ 50	
Radna sposobnost	Ovisno o modelu (*)	Ovisno o modelu (*)
Napajanje	Ulaz: 100 - 240 V AC, 1,2 A; izlaz: 30 V cc, 2 A Upotrijebite jedan od izvornih kodova ispod ili naknadna ažuriranja (obratite se ovlaštenom prodavaču tvrtke STIGA) 118204158/0 (EU) 118204161/0 (UK) 118204163/0 (CH)	Ulaz: 200 - 240 V AC, 0,8 A; izlaz: 30 V cc, 4 A Upotrijebite jedan od izvornih kodova ispod ili naknadna ažuriranja (obratite se ovlaštenom prodavaču tvrtke STIGA) 118204159/0 (EU) 118204162/0 (UK) 118204164/0 (CH)
Dopušteni su produžni kabeli s istosmjernom strujom od 30 V	Upotrijebite jedan od izvornih kodova ispod ili naknadna ažuriranja (obratite se ovlaštenom prodavaču tvrtke STIGA) Šifra: 1127-0010-01, dužina 5 m. Šifra: 1127-0020-01, dužina 15 m.	
Model baterije	Ovisno o modelu: 25,2 V – 2 Ah; 25,2 V – 2,5 Ah; 25,2 V – 5 Ah; 25,2 V – 6 Ah (*)	Ovisno o modelu: 25,2 V – 5 Ah; 25,2 V – 6 Ah; 25,2 V – 2x5 Ah; 25,2 V – 2x6 Ah (*)
Vrijeme punjenja	Ovisno o modelu: 60 [min]; 80 [min]; 150 [min] (*)	Ovisno o modelu: 150 [min]; 180 [min] (*)
Vrijeme rada	Ovisno o modelu: 60 [min]; 90 [min]; 150 [min] (*)	270 [min]
Povezivost	Bluetooth®	Bluetooth®, 4G, 3G, GSM
Navigacijska tehnologija	GNSS	

(*) Za više pojedinosti o određenom modelu proučite cjeloviti priručnik koji je dostupan na internetu (pogledajte QR kod na prvoj stranici ovog priručnika).

Visą instrukcijų vadovą galima rasti:

▷ interneto svetainėje stiga.com

▷ programėlėje „STIGA GO“, kurią galima atsisiųsti iš „App

Store“ ir „Google Play“

▷ nuskaitant QR KODĄ



PASTABA: šiame vadove pateiktos instrukcijos taikomos visiems laidu nukreipiamiems pjovimo robotų modeliams. Jei nenurodyta, paveikslai atitinka platformą SRSW01.

PASTABA: Šiame vadove pateikiami pagrindiniai nurodymai, daugiausia susiję su sauga. Kad įrenginys būtų tinkamai sumontuotas, reikia atidžiai perskaityti visą naudojimo instrukciją (žr. pirmiau) ir jos laikytis.

1. SAUGA

JPAREIGOJIMAS:

Prieš naudodami atidžiai perskaitykite ir saugokite, kad galėtumėte peržiūrėti ateityje.

1.1. SAUGIOS DARBO PRAKTIKOS

Mokymas

- Atidžiai perskaitykite instrukcijas, išmokykite valdiklius ir tinkamą įrenginio naudojimą.
- Niekada įrenginio naudoti neleiskite vaikams, asmenims, turintiems fizinę, jutiminę arba psichinę negalią arba neturintiems patirties ir žinių ir asmenims, kurie nesusipažino su šiomis instrukcijomis. Vietiniai reglamentai gali riboti operatoriaus amžių.
- Operatorius arba naudotojas turi būti laikomas atsakingu už nelaimingus atsitikimus arba pavojus, susijusius su trečiais asmenimis arba trečiųjų asmenų įrenginiais.

Paruošimas

- Įsitikinkite, kad automatinė perimetrinio aptvėrimo sistema yra sumontuota tinkamai, kaip pateikta nurodymuose.
- Periodiškai tikrinkite zoną, kurioje įrenginys naudojamas ir pašalinkite akmenis, pagalius, laidus ir bet kokią kitą veikimui trukdyti galintį pašalinį objektą.
- Periodiškai vizualiai patikrinkite peiliukus, peiliukų varžtus ir pjovimo mazgą, kad patikrintumėte, ar nėra susidėvėję arba pažeisti. Pakeiskite susidėvėjusius

arba pažeistus peilius ir varžtus poromis, kad išlaikytumėte įrenginio pusiausvyrą.

- Perspėjamieji ženklai turi būti išdėstyti aplink įrenginio darbo zoną, jei jis naudojamas viešose arba visuomenei atvirose zonose. Ženkluose turi būti pateiktas toks tekstas: „Dėmesio! Automatinė žoliapjovė! Laikykitės atstumo nuo įrenginio! Prižiūrėkite vaikus!“.

1.1.1. VEIKIMAS

Bendra informacija

- Niekada nenaudokite įrenginio, kai apsaugai sugedę arba apsauginių prietaisų, pavyzdžiui, apsaugų nėra.
- Nekiškite rankų arba pėdų netoli besisukančių detalių arba po jomis. Visada laikykitės atokiau nuo išmetimo angos.
- Nelieskite judančių įrenginio dalių tol, kol jos visiškai sustos.
- Įrenginiui veikiant visada mūvėkite tvirtus batus ir ilgas kelnes.
- Įrenginio nekelkite arba negabenkite, kai veikia variklis.
- Išimkite įrenginio išjungimo įtaisą:
 - prieš pašalindami kamšatį;
 - Prieš tikrindami įrenginį, jį valydami ar su juo dirbdami;
 - Pataikius į pašalinį daiktą, patikrinkite, ar įrenginys nepažeistas;
 - Jei įrenginys pradeda neįprastai vibruoti, prieš vėl jį paleisdami patikrinkite, ar nepadaryta pažeidimų.
- Nepalikite veikiančio įrenginio be priežiūros, kai šalia yra naminių gyvūnų, vaikų arba kitų asmenų.

Priežiūra ir saugojimas

- Kad įrenginys saugiai veiktų, gerai priveržkite varžtes, sraigtus ir varžtus.
- Dažnai tikrinkite, ar žolės pjovimo robotas nesusidėvėjo arba jo būklė nepablogėjo.
- Saugumui užtikrinti, reikia pakeisti susidėvėjusius arba pažeistus dalis.

- d. Įsitinkinkite, kad peiliukai keičiami tik tinkamomis atsarginėmis dalimis.
- e. Įsitinkinkite, kad akumulatoriai įkraunami naudojant tinkamą akumuliatorių įkroviklį, rekomenduojamą gamintojo. Netinkamas naudojimas gali sukelti elektros smūgius, perkaitimą arba korozinio skysčio išsiliejimą iš akumuliatoriaus.
- f. Jei yra elektrolito nuotėkių, nuplaukite vandeniu / neutralizuojančia priemone ir kreipkitės į gydytoją, jei pateko į akis ir t.t.
- g. Įrenginio priežiūros darbai turi būti atliekami vadovaujantis gamintojo instrukcijomis.

Liekamoji rizika

- Nors gaminys atitinka visus saugos reikalavimus, dėl netinkamo montavimo ir (arba) nenumatytų situacijų gali kilti papildomų pavojų.

Todėl būtina užtikrinti, kad gaminio veikimo zonoje nebūtų daiktų, žmonių ir gyvūnų, ir informuoti apie galimus pavojus visus asmenis, kurie net ir retkarčiais gali patekti į darbo zoną.

- Kilus perkūnijai su žaibų pavojumi ir, apskritai, laukiant blogų oro sąlygų, rekomenduojama nenaudoti gaminio ir atjungti perimetrinį laidą nuo įkrovimo bazės bei visus periferinius įrenginius nuo maitinimo šaltinio. Norėdami naudoti gaminį, vėl prijunkite perimetrinį laidą ir periferinius įrenginius prie maitinimo šaltinio pagal vadove pateiktus nurodymus.

1.2. GAMINIO APRAŠYMAS

Žolės pjovimo robotas yra suprojektuotas pjauti perimetriniu laidu aptvertas sodo zonas.

Veikimo principas pagrįstas atsitiktiniu judėjimu. Žolės pjovimo robotas pakeičia trajektoriją aptikęs perimetrinį laidą arba kliūtį. Bet koks kitoks naudojimas gali būti pavojingas ir sudaryti nuostolius asmenims ir/arba daiktams. Netinkamu naudojimu laikomi šie atvejai (tai pavyzdys, bet sąrašas nėra baigtinis): žmonių, vaikų arba gyvūnų gabenimas įrenginiu; važiavimas įrenginiu; įrenginio naudojimas kroviniams traukti arba stumti; įrenginio naudojimas ne žolės tipo augalams pjauti.

Platforma TYPE: SRBW01 turi 3G/4G modulį su SIM kortele ir GNSS modulį, kurie leidžia nuotoliniu būdu valdyti žolės pjovimo robotą ir atlikti navigacijos pagalbos funkcijas.

1.3. SIMBOLIAI IR PLOKŠTELĖS



DĖMESIO:
Prieš paleisdami gaminį veikti, perskaitykite naudotojo instrukcijas.



DĖMESIO:
Objektų iškritimo ir atsitrenkimo į kūną pavojus. Laikykitės saugaus atstumo nuo įrenginio jam veikiant.



DĖMESIO:
Nekiškite rankų ar pėdų į pjovimo įtaiso erdmės vidų.



DĖMESIO:
Nekiškite rankų ar pėdų į pjovimo įtaiso erdmės vidų.



DRAUDIMAS:
Įsitinkinkite, kad įrenginiui veikiant darbo zonoje nėra asmenų (ypač vaikų, vyresnių arba neįgalių asmenų) ir naminių gyvūnų. Kai įrenginys veikia, vaikus, naminius gyvūnus ir kitus asmenis laikykite saugiu atstumu.



DRAUDIMAS:
Įrenginiui valyti arba plauti nenaudokite aukšto slėgio valytuvų.



III izoliacijos klasės prietaisas, maitinamas akumuliatoriumi (žolės pjovimo robotas) arba per specialų maitinimo bloką (įkrovimo bazė ir nuorodinė stotis).



Naudokite originalų maitinimo šaltinį, kurio specifikacijos nurodytos vardinėje plokštelėje.



Nuolatinės srovės maitinimo šaltinio simbolis.

IPXX

Apsaugos nuo kietųjų dalelių ir vandens patekimo laipsnis.



Elektros ir nuorodinės įrangos atliekos, kurios turi būti pristatytos į atitinkamas perdirbimo ir šalinimo įmones.



Garantuotas garso galios lygis

1.4. ŽOLĖS PJOVIMO ROBOTO SUSTABDYMAS IR IŠJUNGIMAS SAUGIOMIS SĄLYGOMIS



ĮPAREIGOJIMAS:

Prieš bet kokius valymo, gabenimo ir priežiūros darbus, visada išjunkite žolės pjovimo robotą saugiomis sąlygomis.

1. Paspauskite mygtuką „STOP“ (1.A pav.), kad sustabdytumėte žolės pjovimo robotą saugiomis sąlygomis ir atidarykite apsauginį dangtį (1.B pav.).
2. Spauskite išjungimo mygtuką (1.E pav.) kelias sekundes ir palaukite, kol užges to paties mygtuko šviesos diodas.
3. Tik užgesus šviesos diodui (1.E pav.), ištraukite apsauginį raktą (1.D pav.), kad išjungtumėte žolės pjovimo robotą saugiomis sąlygomis.
4. Žolės pjovimo robotas sustabdomas arba išjungiamas saugiomis sąlygomis.

2. INSTALIAVIMAS



DĖMESIO:

Nekeiskite, neperdirbkite, neapeikite ir nepašalinkite sumontuotų saugos įtaisų.

PASTABA: Dėl išsamesnių paaiškinimų apie gaminio montavimą kreipkitės į „STIGA“ pardavimo atstovą.

MONTAVIMO KOMPONENTAI (2 pav.)

(A) Įkrovimo bazė, (B) Maitinimo blokas, (C) Perimetrinis laidas, (D) Perimetrinio laido tvirtinimo viny. (E) Įkrovimo bazės tvirtinimo viny. (F) Perimetrinio laido jungtis, (G) Įkrovimo bazės jungtis.

2.1. MONTAVIMO REIKALAVIMŲ PATIKRA

2.1.1. SODO PATIKRA:

- Patikrinkite sodo būseną, kaip nurodyta 1 sk.
- Išlyginkite žemę taip, kad po lietaus nesusidarytų purvo balos.

2.1.2. PATIKROS MONTUOJANT ĮKROVIMO BAZĘ IR MAITINIMO BLOKĄ:



ELEKTROS PAVOJUS:

Reikia turėti elektros lizdą, atitinkantį šalyje taikomus susijusius įstatymus.



ELEKTROS PAVOJUS:

Tiekama grandinė turi būti apsaugota skirtumine rele (RCD), kurios suaktyvinimo srovė ne didesnė nei 30 mA.



ELEKTROS PAVOJUS:

Nejunkite maitinimo bloko prie elektros lizdo, jei kištukas arba laidas yra pažeisti. Nejunkite ir nelieskite pažeisto laido pirmiausia jo neišjungę iš elektros tinklo. Jei laidas bus pažeistas, galima prisiliesti prie dalių, kuriomis teka įtampa.

1. Vejos krašte paruoškite plokščią zoną įkrovimo bazei pastatyti
2. Įsitikinkite, kad atstumas tarp bazės ir bet kokių posūkių būtų bent 200 cm.



DĖMESIO:

Maitinimo laidas, maitinimo blokas, ilgutuvais ir bet kuris kitas gaminiui nepriklausantis elektros laidas turi likti pjovimo zonos išorėje, kad būtų toliau nuo pavojingų judančių dalių ir būti išvengta žalos laidams, galintiems susiliesti su dalimis, kuriomis teka įtampa.

3. Paruoškite maitinimo bloko montavimo zoną taip, kad jokios atmosferos sąlygos nepermerktų jo vandeniu. Geriausia montuoti uždaramame skyriuje, apsaugotame nuo blogų oro sąlygų, kurio vieta nebūtų lengvai pasiekama pašaliniam asmeniui.

2.1.3. PAGRINDINĖS PATIKROS MONTUOJANT PERIMETRINĮ LAIDĄ:

1. Patikrinkite, ar didžiausias darbo zonos šlaitas nėra mažesnis arba lygus 45 % arba 50 %, atsižvelgiant į modelį (žr. 7 skirsn. TECHNINIAI DUOMENYS) ir laikytis taisyklių, parodytų 3 pav.



DĖMESIO:

Robotas gali pjauti paviršius, kurių maksimalus šlaitas 45 % arba 50 %, atsižvelgiant į modelį. Jei nebus laikomasi instrukcijų, robotas gali paslysti ir išvažiuoti iš darbo zonos



DĖMESIO:

Zonos su didesniais nuolydžiais, nei yra leistina, negali būti pjaunamos. Taigi pastatykite perimetrinį laidą prieš šlaitą atmetant neįskaitant tos zonos pjaunamos pievos.

2. Patikrinkite visą darbo paviršių: įvertinkite visas kliūtis ir zonas, kurių nereikia įtraukti į darbo zoną, kurios turi būti atvertos perimetriniu laidu.

2.2. PERIMETRINIO LAIDO TIESIMO KRITERIJAI

Toliau pateikiami perimetrinio laido montavimo kriterijai. Išsamesnę informaciją žiūrėkite pilnave instrukcijų vadove.

MINIMALŪS ATSTUMAI		
KONSTRUKCINIS ELEMENTAS	MINIMALUS ATSTUMAS KABELIO MONTAVIMUI KONSTRUKCIJOS ELEMENTO ATŽVILGIU	
TYPE	SRSW01	SRBW01
Grindys arba važiuojamoji dalis vejos lygyje	5 cm	5 cm
Griovys, siena arba tvorelė	35 cm	45 cm
Krūmas arba augalas su išsikišančiomis šaknimis	30 cm	40 cm
Baseinas, tvenkinys, viešasis neapsaugotas kelias	90 cm	100 cm
Baseinas arba kelias nuolydžio pabaigoje	150 cm	150 cm

KLIŪČIŲ APTVĒRIMO TIPAI		
PERĒJIMAS XTARP DVIEJŲ SKIRTINGŲ PERIMETRINIO LAIDO DALIŲ		
TYPE		
SRSW01	SRBW01	
X ≥ 70 cm (4 pav.)	X ≥ 90 cm (4 pav.)	Kliūtis gali būti aptverta priekinio ir atgalinio laido dalis vieną ant kito jų nesukryžiuojant.
X < 70 cm (5 pav.)	X < 90 cm (5 pav.)	Kliūtis gali būti aptverta dvi judėjimo į priekį ir grįžimo laido dalis atitolinant vieną nuo kitos mažiausiai Y= 30 cm. Jei kliūtis pakankamai stipri, ją galima palikti neapsaugotą.

PRAĖJIMAI TARP SKIRTINGŲ SODO ZONŲ		
KORIDORIAUS PLOTIS Z		
TYPE		
SRSW01	SRBW01	
Z ≥ 70 cm (6 pav.)	Z ≥ 90 cm (6 pav.)	Zona (6.A pav.) gali būti pasiekama žolės pjovimo robotu.
Z < 70 cm (6 pav.)	Z < 90 cm (6 pav.)	Zona (6.A pav.) negali būti pasiekama žolės pjovimo robotu ir laikoma „Uždara zona“.



ISPĖJIMAS:
Darbo zona ir bendro zonos, kuriose žolės pjovimo robotas gali naršyti, turi būti aptvertos nepraeinamu užtvare.
Pasirūpinkite, kad užtvaras būtų tinkamas arba prižiūrėkite žolės pjovimo robotą jam veikiant.

2.3. KOMPONENTŲ MONTAVIMAS



ELEKTROS PAVOJUS:
Naudokite tik gamintojo tiekiamą akumulatoriaus įkroviklį ir maitinimo bloką. Naudojant netinkamai, gali nutrenkti elektrą ir (arba) gali perkaisti.



ISPĖJIMAS:
Rankų įsipjovimo pavojus.
Dėvėkite apsaugines pirštines, kad išvengtumėte pavojaus įsipjauti rankas.



ISPĖJIMAS:
Dulkių patekimo į akis pavojus.
Dėvėkite apsauginius akinius, kad išvengtumėte dulkių patekimo į akis pavojaus.



ELEKTROS PAVOJUS:
Prijunkite elektros tiekimą tik baigę visus montavimo darbus. Jei reikia, montavimo metu išjunkite pagrindinį elektros tiekimą.

2.3.1. PERIMETRINIO LAIDO MONTAVIMAS

POZICIONAVIMAS SU KAIŠČIAIS

1. Pozicionuokite perimetrinį laidą pradėdami nuo įkrovimo bazės montavimo zonos.
2. Pozicionuokite laidą išilgai viso maršruto, pritvirtindami jį specialiais gnybtais (7.B pav.) maždaug 100 cm atstumais ir laikydamiesi pateiktų montavimo reikalavimų (žr. 2.2 skirsn.).
3. Palikite 2 m laido galą, kad vėliau galėtumėte jį nupjauti galutiniame prijungimo etape.
4. Posūkiuose pozicionuokite laidą taip, kad išlinkimo spindulys būtų maždaug 20 cm (7.A pav.).

BENDRAS PERIMETRINIO KABELIO ILGIS	STIGA KABELIAI, SUDERINAMI SU MONTAVIMU	
< 400 m	Kodas 1127-0000-01	150 m ritė, Ø 2,7 mm
	Kodas 1127-0001-01	300 m ritė, Ø 2,7 mm
	Kodas 1127-0002-01	500 m ritė, Ø 3,4 mm
	Kodas 1127-0003-01	1000 m ritė, Ø 3,4 mm
≥ 400 m iki ne daugiau kaip 1000 m	Kodas 1127-0002-01	500 m ritė, Ø 3,4 mm
	Kodas 1127-0003-01	1000 m ritė, Ø 3,4 mm



DĖMESIO:
Įsitikinkite, kad laidas liečiasi su žeme išilgai viso savo maršruto, kad žolės pjovimo robotas negalėtų jo sugadinti.

PASTABA: Montavimui naudotas perimetrinis laidas turi būti mažiausiai 40 m ilgio. Jei laido ilgis mažesnis, reikia sumontuoti varžą, kod. 122063053/0. Žr. visą naudojimo instrukciją.

2.3.2. ĮKROVIMO BAZĖS MONTAVIMAS

Sumontuokite įkrovimo bazę vienoje ašyje su perimetriniu laidu taip, kad robotas galėtų jį pasiekti judėdamas ant perimetrinio laido pagal laikrodžio rodyklę.

1. Patikrinkite montavimo reikalavimus, kaip nurodyta 2.2 skirsn.
2. Jei reikia paruošti žemę taip, kad įkrovimo bazės paviršius būtų viename lygyje su pieva, žemė turi būti visiškai lygi ir kompaktiška taip, kad įkrovimo bazės platforma nsideformuotų.
3. Nuimkite dangtį (8.C pav.).
4. Pastatykite įkrovimo bazę vienoje ašyje su perimetriniu laidu (8.D2 pav.) taip, kad robotas galėtų jį pasiekti judėdamas ant perimetrinio laido pagal laikrodžio rodyklę.
5. Įstatykite du laido galus į specialius praėjimus (8.E2 pav.).
6. Iki tikslaus dydžio nupjaukite laidų galus.
7. Prie laido pritvirtinkite automatiškai prasiduriančius jungiklius (9.F pav.), (9.G pav.), (9.H pav.).
8. Prijunkite jungiklius prie gnybtų (8.I pav.).

9. Pritvirtinkite įkrovimo bazę (10.L pav.) prie grindų tvirtinimo varžtais (10.M pav.).
10. Vėl uždėkite dangtį (10.C pav.).
11. Prijunkite maitinimo bloką prie įkrovimo bazės ir prisukite jungtį.
12. Prijunkite maitinimo kištuką prie elektros lizdo.
13. Patikrinkite, ar tuomet, kai žolės pjovimo robotas nėra įkrovimo bazėje, lemputė įkrovimo bazėje (10.N pav.) dega nuolat (žr. 3.3 skirsn.).

2.4. ŽOLĖS PJOVIMO ROBOTO ĮKROVIMAS SUMONTAVUS

Pirmą kartą kraunamos baterijos turi būti įkraunamos bent 2 valandas.

2.5. GAMINIO NUSTATYMAI

Kad žolės pjovimo robotas veiktų automatiškai, reikalingi įvairūs nustatymai, kuriuos galima atlikti „iOS“ arba „Android“ mobiliajame įrenginyje (išmaniajame telefone) su įdiegta „STIGA GO“ programėle.

PASTABA: Išsamesnį esamų funkcijų aprašymą žiūrėkite visame instrukcijų vadove.

3. VEIKIMAS

3.1. ŽOLĖS PJOVIMO ROBOTO RANKINIS VEIKIMAS

Žolės pjovimo robotas gali būti naudojamas neatliekant aprašyto programavimo (žr. 2.5 skirsn.). Šiame režime žolės pjovimo robotas atlieka darbo ciklą, grįžta į įkrovimo bazę ir lieka iki sekancio rankinio paleidimo.

1. Palikite žolės pjovimo robotą įkrovimo bazėje arba montavimo perimetro viduje.
2. Paspauskite mygtuką „STOP“ (1.A pav.), kad atidarytumėte dangtį (1.B pav.) ir pasiektumėte valdymo pultą (1.C pav.).
3. Paspauskite mygtuką „ON/OFF“ (1.E pav.) 5 sekundes, kad įjungtumėte žolės pjovimo robotą.
4. Spauskite mygtuką „REŽIMO PASIRINKIMAS“ (1.F pav.), kol mirksės tik viena piktograma (1.L pav.).
5. Paspauskite mygtuką „PATVIRTINTI“ (1.G pav.). Piktograma (1.L pav.) pradeda degti nuolat, kad patvirtintų veiksmą.
6. Uždarykite dangtį (1.B pav.). Žolės pjovimo robotas pradės dirbti.

PASTABA. Šis režimas gali negarantuoti tinkamos sodo aprėpties tiek pagal reikalingą laiką, tiek pjovimo rezultato vienodumą, ypač tada, jei sodo forma nevienoda. Kad būtų pasiektas maksimalus žolės pjovimo roboto efektyvumas, rekomenduojama vadovautis programavimu (žr. 2.5 skirsn.).

3.2. ŽOLĖS PJOVIMO ROBOTĖ ESANČIŲ KOMANDŲ APRAŠYMAS

Komandų, indikatorių ir jų funkcijos sąrašas:

- Mygtukas „STOP“ (1.A pav.): skirtas saugiai sustabdyti žolės pjovimo robotą.
- „APSAUGINIS RAKTAS“ (1.D pav.): skirtas saugiai išjungti žolės pjovimo robotą.
- Mygtukas „ON/OFF“ (1.E pav.): skirtas įjungti ir išjungti žolės pjovimo robotą bei atstatyti pavojaus signalus.

- Mygtukas „REŽIMO PASIRINKIMAS“ (1.F pav.): skirtas pasirinkti žolės pjovimo roboto darbo režimą ir įjungti grįžimą į įkrovimo bazę.
- Mygtukas „PATVIRTINTI“ (1.G pav.): skirtas patvirtinti nustatytą darbo režimą.
- Šviečianti piktograma „SUPLANUOTA PROGRAMA“ (1.I pav.): skirta peržiūrėti suplanuotos programos nustatymą.
- Šviečianti piktograma „VIENAS DARBO CIKLAS“ (1.L pav.): skirta peržiūrėti vieno darbo ciklo nustatymą.
- Šviečianti piktograma „GRĮŽIMAS Į BAZĘ“ (1.H pav.): skirta peržiūrėti priverstinio grįžimo į žolės pjovimo roboto įkrovimo bazę nustatymą.
- Mygtukas „BLUETOOTH“ (1.M pav.): naudoja tik aptarnavimo centras diagnostikos veiksams.
- Šviečianti piktograma „PAVOJAUS SIGNALAS“ (1.N pav.): skirta peržiūrėti pavojaus signalo būsenas.
- Šviečianti piktograma „AKUMULIATORIUS“ (1.O pav.): skirta peržiūrėti akumuliatoriaus įkrovimą.

PASTABA: Išsamesnį pirmiau išvardytų valdiklių aprašymą žiūrėkite išsamiame instrukcijų vadove.

3.3. ĮKROVIMO BAZĖS VEIKIMAS

Įkrovimo bazė turi šviečiančią lemputę (10.N pav.), kuri užsidega kaip nurodyta toliau:

- Lemputė išjungta: įkrovimo bazei netiekiamas maitinimas arba robotas yra bazėje.
- Lemputė dega nuolat: perimetris laidas yra tinkamai prijungtas prie įkrovimo bazės ir perimetris signalas yra tinkamas.
- Lemputė lėtai mirsi: perimetris laidas nėra prijungtas arba yra nutrūkęs.
- Lemputė greitai mirksi: perimetris laidas yra per trumpas arba įkrovimo bazėje yra gedimas.

3.4. AKUMULIATORIAUS ĮKROVIMAS

Su procedūra „AKUMULIATORIAUS ĮKROVIMAS“ galima įkrauti žolės pjovimo robotą rankiniu būdu.

1. Padėkite žolės pjovimo robotą ant įkrovimo bazės (11.R pav.).
2. Stumkite žolės pjovimo robotą ant įkrovimo bazės tol, kol įkrovimo jungtis užsifiksuos (11.S pav.).
3. Paspauskite mygtuką „STOP“ (11.A pav.), kad atidarytumėte dangtį (11.B pav.) ir pasiektumėte valdymo pultą (11.C pav.).
4. Įjunkite žolės pjovimo robotą mygtuku „ON/OFF“ (11.E pav.).
5. Šviečianti piktograma „AKUMULIATORIUS“ (11.L pav.) mirksi, žolės pjovimo robotas įkraunamas.
6. Uždarykite dangtį (11.B pav.).
7. Palikite žolės pjovimo robotą įkrauti bent laiką, nurodytą 2.4 pav.

PASTABA: Akumuliatorių įkrauti prieš sandėliuojant žiemą reikia taip, kaip nurodyta 4.3 skirsn.

3.5. PJOVIMO AUKŠČIO REGULIAVIMAS

PLATFORMA TYPE SRSW01 - RANKINIS REGULIAVIMAS

1. Išjunkite žolės pjovimo robotą saugiomis sąlygomis (žr. 1.4 skirsn.).

2. Sukite aukščio reguliatorių (12.P pav.), kad pasirinktumėte pageidaujamą pjovimo aukštį ir nupjautos žolės dalis nebūtų aukštesnė nei 10 mm.

PASTABA: Žolės pjovimo roboto nupjautos žolės dalies ilgis neturi viršyti 10 mm.

PLATFORMA TYPE SRBW01 - ELEKTRINIS REGULIAVIMAS

Norėdami sureguliuoti pjovimo aukštį, vadovaukitės PROGRAMĖLĖJE pateikta procedūra su vedliu.

Ašmenų aukščio reguliavimo sistemai reikia atlikti pradinį kalibravimą ir periodinius kalibravimus, kurie atliekami automatiškai. Kalibravimą taip pat galima atlikti rankiniu būdu iš specialaus programėlės meniu.



ĮSPĖJIMAS:
nелиeskite pjovimo įrenginio tuomet, kai reguliuojamas pjovimo aukštis.

PASTABA: Žolės pjovimo roboto nupjautos žolės dalies ilgis neturi viršyti 10 mm.

4. TECHNINĖ PRIEŽIŪRA



ĮSPĖJIMAS:
Naudokite tik originalias atsargines detales.



ĮSPĖJIMAS:
Nekeiskite, neperdirbkite, neapeikite ir nepašalinkite sumontuotų saugos įtaisų.



ĮSPĖJIMAS:
Rankų įsipjovimo pavojus.
Dėvėkite apsaugines pirštines, kad išvengtumėte pavojaus įsipjauti rankas.



ĮSPĖJIMAS:
Dulkių patekimo į akis pavojus.
Dėvėkite apsauginius akinius, kad išvengtumėte dulkių patekimo į akis pavojaus.



DĖMESIO:
Jei bus naudojama per daug vandens, jis gali prasiskverbti ir sugadinti elektrinius komponentus.



DRAUDIMAS:
Nenaudokite suslėgto vandens srovių.



DRAUDIMAS:
Kad nepataisomai nesugadintumėte elektrinių ir elektroninių komponentų, nimerkite dalies arba viso žolės pjovimo roboto į vandenį.



DRAUDIMAS:
Nepilaukite vidinių roboto dalių, kad nesugadintumėte elektrinių ir elektrinių komponentų.



DRAUDIMAS:
Nenaudokite tirpiklių arba benzino, kad nesugadintumėte dažytų paviršių ir plastikinų komponentų.

4.1. PLANINĖ PRIEŽIŪRA

Kad geriau veiktų ir tarnautų ilgiau, būtina gaminį reguliariai valykite ir pakeiskite susidėvėjusias dalis.

Atlikite veiksmus lentelėje nurodytu dažnumu.

DAŽNIS	KOMPONENTAS	VEIKSMO TIPAS
Kas savaitę	Peilis	Nuvalykite ir patikrinkite peilio efektyvumą. (Žr. 4.2 skirsn.) Jeigu peilis yra sulenktas dėl susitrenkimo arba jei yra susidėvėjęs, jį pakeiskite. (Žr.4.2 skirsn.)
	Įkrovimokontaktai	Nuvalykite ir pašalinkite galimas oksidacijas. (Žr. išsamų instrukcijų vadovą)
Kas mėnesį	Žolės pjovimo robotas	Išvalykite. (Žr. išsamų instrukcijų vadovą)
	Įkrovimo bazė ir maitinimo laidai	Patikrinkite susidėvėjimą ir būklės pablogėjimą, jei reikia, pakeiskite. (Žr. išsamų instrukcijų vadovą)
Pasibaigus pjovimo sezonui arba kas pusmetį, jei žolės pjovimo robotas nenaudojamas	Akumulatorius	Įkraukite akumuliatorių prieš sandėliuodami. (Žr. 4.3 skirsn.)
Kas metus arba pasibaigus pjovimo sezonui	Žolės pjovimo robotas	Techninį aptarnavimą atlikite įgaliotame aptarnavimo centre. (Žr. 4.1 skirsn.)

Reikia kas metus atlikti techninę priežiūrą įgaliotame aptarnavimo centre, kad žolės pjovimo robotas išliktų geros veikimo būklės.

PASTABA: bet kokiems gedimams todėl, kad nebuvo atlikta metinė techninė patikra, nebus taikoma garantija.

4.2. PJOVIMO PEILIŲ KEITIMAS

1. Išjunkite žolės pjovimo robotą saugiomis sąlygomis (žr. 1.4 skirsn.).
2. Apverskite žolės pjovimo robotą stengdamiesi nepažeisti dengiančiosios plokštės slankiojo dangčio.
3. Atveržkite tvirtinimo varžtus (14.E pav.).
4. Pakeiskite pjovimo peiliukus (14.D pav.).
5. Priveržkite tvirtinimo varžtus (14.E pav.).

4.3. AKUMULIATORIAUS PRIEŽIŪRA ŽIEMĄ IR SANDĖLIAVIMAS

1. Įkraukite akumuliatorių vadovaudamiesi programėlėje, kuri pasiekama puslapyje „Nustatymai“, pateiktomis gairėmis.
2. Nuvalykite žolės pjovimo robotą (žr. išsamų instrukcijų vadovą).
3. Laikykite žolės pjovimo robotą sausoje ir nuo šalčio apsaugotoje vietoje, įsitikindami, kad yra išjungtas.

PASTABA: Išsamesnę informaciją apie įkrovimo žiemai procedūrą žiūrėkite išsamiaje instrukcijų vadove.

PASTABA: Įkrovimo registracija su programėlėje pateikta procedūra reikalinga tam, kad galiotų akumuliatoriaus garantija.

4.4. AKUMULIATORIAUS PAKEITIMAS

Už akumuliatoriaus pakeitimą yra išskirtinai atsakingas tik „STIGA“ TECHNINIO APTARNAVIMO PERSONALAS. Jei prireiktų pakeisti akumuliatorių, kreipkitės į aptarnavimo centrą arba į savo pardavimo atstovą.

5. GABENIMAS, SANDĖLIAVIMAS IR ŠALINIMAS

5.1. GABENIMAS

PASTABA: Siūloma naudoti gabenimui ilgus atstumus skirtą pakuotę.

1. Išjunkite žolės pjovimo robotą saugiomis sąlygomis (žr. 1.4 skirsn.).
2. Nuvalykite žolės pjovimo robotą (žr. išsamų instrukcijų vadovą).
3. Pakelkite žolės pjovimo robotą už specialios rankenos (15.D pav.) ir gabenkite jį stengdamiesi išlaikyti pjovimo peilį toli nuo kūno.

5.2. LAIKYMAS

Žolės pjovimo robotas turi būti laikomas horizontalioje padėtyje, sausoje vietoje, apsaugotoje nuo ledo, po to, kai bus išvalytas ir akumuliatorius įkrautas žiemai (žr. 4 sk.). Ilgais neveikimo laikotarpiais atjunkite įkrovimo bazę nuo elektros tinklo.

5.3. ŠALINIMAS



ĮSPĖJIMAS:

Norėdami išimti akumuliatorių iš žolės pjovimo roboto, kreipkitės į įgaliotą aptarnavimo centrą.

1. Šalinkite gaminio pakuotę tvariai, į tam skirtas surinkimo talpyklas arba specialiuose įgaliotuose surinkimo centruose.
2. Šalinkite žolės pjovimo robotą vadovaudamiesi vietinių įstatymų taisyklių reikalavimais.
3. Kadangi žolės pjovimo robotas yra EEA! (elektros ir elektroninės įrangos atliekos) priskiriamos atliekos, kreipkitės į specialias institucijas dėl perdavimo ir šalinimo.
4. Šalinkite senus arba panaudotus akumuliatorius tvariai, į tam skirtas surinkimo talpyklas arba specialiuose įgaliotuose surinkimo centruose.

6. PROBLEMŲ SPRENDIMAS



ĮSPĖJIMAS:

Sustabdykite žolės pjovimo robotą ir palikite jį saugiomis sąlygomis (žr. 1.4 skirsn.).

Toliau pateikiamas bet kokių sutrikimų, galinčių pasitaikyti darbo etape, sąrašas.

GEDIMAS	PRIEŽASTYS	SPRENDIMAI
Neįprastas vibravimas. Žolės pjovimo robotas kelia triukšmą.	Pjovimo diskas arba peiliukai pažeisti	Pakeiskite pažeistus komponentus (žr. 4.2 skirsn.).
	Pjovimo įtaisais užblokuotas likučiais (juostomis, virvėmis, plastmasės fragmentais ir t.t.).	Išjunkite žolės pjovimo robotą saugiomis sąlygomis (žr. 1.4 skirsn.). Atblokuokite pjovimo peilį.
	Žolės pjovimo roboto paleidimas įvyko esant nenumatytoms kliūtims (nukritusioms šakoms, pamirštiems objektams ir t.t.).	Išjunkite žolės pjovimo robotą saugiomis sąlygomis (žr. 1.4 skirsn.). Pašalinkite kliūtis ir paleiskite žolės pjovimo robotą iš naujo.
	Elektrinio variklio avarija.	Pakeiskite variklį kreipdamiesi į artimiausią įgaliotą aptarnavimo centrą.
	Per aukštą žolę.	Padidinkite pjovimo aukštį (žr. 3.5 skirsn.). Atlikite preliminarų pjovimą naudojant normalią žoliapjovę.
Žolės pjovimo robotas gerai nepasistato į įkrovimo stotį.	Perimetrinio laido padėtis klaidinga.	Patikrinkite įkrovimo stoties jungtį (žr. 2.3.2 skirsn.).
	Dirvožemio įgriuvos prie įkrovimo bazės.	Atstatykite tinkamą įkrovimo bazės padėtį. (Žr. 2.3.2 skirsn.).
Žolės pjovimo robotas veikia neįprastai aplink perimetrines kliūtis.	Netaisyklingai ištiestas perimetrinis laidas.	Iš naujo tinkamai sureguliuokite perimetrinio laido padėtį (pagal laikrodžio rodyklę) (žr. 2.3.1 skirsn.).
Įkrovimo bazės lemputė neįsijungia tuomet, kai robotas yra už įkrovimo bazės ribų.	Nėra maitinimo įtampos arba įkrovimo bazėje įvyko gedimas.	Patikrinkite taisyklingą prijungimą prie maitinimo srovės lizdo. Patikrinkite, ar maitinimo bloko jungiamasis laidas yra sveikas.
Įkrovimo bazės lemputė įsijungia ir lėtai mirksi	Perimetrinis laidas nėra prijungtas arba yra nutrūkęs	Patikrinkite, kaip sumontuota ir pataisykite lūžimą (žr. 2.3 pav.)
Įkrovimo bazės lemputė įsijungia ir greitai mirksi	Perimetrinis laidas yra per trumpas arba įkrovimo bazėje yra gedimas.	Patikrinkite, ar perimetrinio laido ilgis yra didesnis nei nurodyta 2.3.2. skirsn. Jei problema išlieka, kreipkitės į aptarnavimo centrą.
Klaviatūroje dega įspėjamoji piktograma	Nurodo sutrikimo / gedimo sąlygas.	Išsamesnės informacijos ieškokite programėlėje arba žiūrėkite išsamų instrukcijų vadovą.

7. TECHNINIAI DUOMENYS

SPECIFIKACIJOS	TIPAS: SRSW01 (žr. gaminio etiketę)	TIPAS: SRBW01 (žr. gaminio etiketę)
Matmenys (l X A X P)	413 x 252 x 560 [mm]	529 x 299 x 695 [mm]
Žolės pjovimo roboto svoris	Priklauso nuo modelio: 7,9 [kg] - 8,2 [kg] (*) (Paklaida +/-0,1 [kg])	Priklauso nuo modelio: 12,8 [kg] - 13,5 [kg] (*) (Paklaida +/-0,1 [kg])
Pjovimo aukštis (min.-maks.)	20-65 [mm]	20-65 [mm]
Peiliuko skersmuo	180 [mm]	260 [mm]
Pjovimo greitis	2850 +/-50 [aps./min.]	2400 +/-50 [aps./min.]
Judėjimo greitis	22 [m/min.]	Priklauso nuo modelio: 24 [m/min]; 28 [m/min] (*)
Maksimalus šlaitas	45%	50%
Maksimalus šlaitas išilgai perimetro	20%	
Pjovimo sistemos tipas	4 sukiojami pjovimo peiliukai	6 sukiojami pjovimo peiliukai
Pjovimo įtaiso kodas	322104105/0	
Pamatuotas garso galios lygis	57 [dB] (A)	56 [dB] (A)
Triukšmo emisijos paklaida, KWA	1,47 [dB] (A)	0,56 [dB] (A)
Garantuotas garso galios lygis	59 [dB] (A)	57 [dB] (A)
Operatoriaus ausiai tenkantis garso slėgio lygis	46,3 [dB] (A)	45,2 [dB] (A)
Žolės pjovimo roboto IP klasifikacija	IPX5	
Įkrovimo stoties IP klasifikacija	IPX1	
Maitinimo bloko IP klasifikacija	IP67	
Žolės pjovimo roboto darbinė aplinkos temperatūra [°C]	0-50	
Įkrovimo stoties darbinė aplinkos temperatūra [°C]	-10-50	
Maitinimo bloko darbinė aplinkos temperatūra [°C]	-10-50	
Darbo našumas	Priklauso nuo modelio (*)	Priklauso nuo modelio (*)
Energijos tiekimas	Įėjimas: 100–240 Vac, 1,2 A; Išėjimas: 30 VDC, 2 A Naudokite vieną iš toliau pateiktų originalių kodų arba vėlesnius atnaujinimus (kreipkitės į įgaliotąjį „STIGA“ atstovą) 118204158/0 (ES) 118204161/0 (JK) 118204163/0 (CH)	Įėjimas: 200–240 Vac, 0,8 A; Išėjimas: 30 VDC, 4 A Naudokite vieną iš toliau pateiktų originalių kodų arba vėlesnius atnaujinimus (kreipkitės į įgaliotąjį „STIGA“ atstovą) 118204159/0 (ES) 118204162/0 (JK) 118204164/0 (CH)
Leidžiami 30 VDC prailginimo kabeliai	Naudokite vieną iš toliau pateiktų originalių kodų arba vėlesnius atnaujinimus (kreipkitės į įgaliotąjį „STIGA“ atstovą) Kodas: 1127-0010-01, ilgis 5 m Kodas: 1127-0020-01, ilgis 15 m	
Akumuliatoriaus modelis	Priklauso nuo modelio: 25,2 V - 2 Ah; 25,2 V - 2,5 Ah; 25,2 V - 5 Ah; 25,2 V - 6 Ah (*)	Priklauso nuo modelio: 25,2 V - 5 Ah; 25,2 V - 6 Ah; 25,2 V - 2x5 Ah; 25,2 V - 2x6 Ah (*)
Įkrovimo trukmė	Priklauso nuo modelio: 60 [min]; 80 [min]; 150 [min] (*)	Priklauso nuo modelio: 150 [min]; 180 [min] (*)
Darbo laikas	Priklauso nuo modelio: 60 [min]; 90 [min]; 150 [min] (*)	270 [min.]
Ryšys	„Bluetooth®“	„Bluetooth®“, 4G, 3G, GSM
Naršymo technologija	GNSS	

(*) Išsamesnės informacijos apie konkretų modelį rasite išsamiame vadove, kurį galima rasti internete (žr. QR kodą pirmajame šios knygelės puslapyje).

Pilna ekspluatācijas rokasgrāmata ir pieejama:

- ▷ timeklvietne.stiga.com
- ▷ lietotnē STIGA GO, kas pieejama App Store un Google Play
- ▷ skenējot QR kodu



PIEZĪME: šajā rokasgrāmatā sniegtie norādījumi attiecas uz visiem ar kabeli vadāmu robotizētu pļaujmašīnu modeļiem. Attēli, ja nav precizēts, attiecas uz SRSW01 platformu.

PIEZĪME: šajā rokasgrāmatā ir ietverti pamatnorādījumi, kas galvenokārt attiecas uz drošību. Lai nodrošinātu, ka uzstādīšana tiek veikta pareizi, ir rūpīgi jāizlasa un jāievēro visi lietošanas instrukcijā ietvertie norādījumi (skatīt iepriekš).

1. DROŠĪBA

PIENĀKUMS:

Uzmanīgi izlasiet pirms izmantošanas un glabājiet to, lai to varētu izmantot arī nākotnē.

1.1. DROŠĀ EKSPLUATĀCIJA

Apmācība

- a. Uzmanīgi izlasiet norādījumus, apgūstiet komandas un mašīnas pareizas lietošanas noteikumus.
- b. Nekādā gadījumā neļaujiet lietot mašīnu bērniem, personām ar fiziskiem, maņu orgānu vai garīgiem traucējumiem, kā arī personām, kuru pieredze vai zināšanas nav pietiekamas, vai kuras nav izlasījušas šo instrukciju. Vietējie noteikumi var ierobežot operatora vecumu.
- c. Operators vai lietotājs ir atbildīgs par negadījumiem vai apdraudējumiem, kas saistīti ar trešajām personām vai trešo personu aprīkojumu.

Sagatavošana

- a. Pārliedziet, vai automātiskā perimetra norobežošanas sistēma ir uzstādīta pareizi un saskaņā ar norādījumiem.
- b. Periodiski pārbaudiet zonu, kur mašīna tiek lietota, un novāciet akmeņus, zarus, kabeļus un jebkādas citus priekšmetus, kas var traucēt tās darbību.
- c. Periodiski veiciet asmeņu, asmeņu bultskrūvju un pļaušanas bloka vizuālu pārbaudi, lai pārliedzītos, ka tie nav nodiluši vai bojāti. Lai saglabātu mašīnas līdzsvaru, pa pāriem nomainiet nodilušus

vai bojātus asmeņus un bultskrūves.

- d. Apkārt mašīnas darbības zonai jāizvieto brīdinājuma zīmes, ja to izmanto publiskās vai brīvi pieejamās vietās. Uz zīmēm jāizvieto šāds teksts: "Uzmanību! Automātiskā pļaujmašīna! Turieties drošā attālumā no mašīnas! Uzraugiet bērnus!".

1.1.1. DARBĪBA

Vispārēja informācija

- a. Nedarbiniet mašīnu ar bojātiem aizsargiem vai ja drošības ierīces vai aizsargi ir noņemti.
- b. Rokas un kājas nedrīkst likt tuvu vai zem rotējošām daļām. Vienmēr turieties prom no izmešanas atveres.
- c. Neaiztieciet mašīnas kustīgās daļas, kamēr tās nav pilnībā apstājušās.
- d. Mašīnas darbība laikā vienmēr valkājiet stingrus apavus un garās bikses.
- e. Nepaceliet vai nepārvietojiet mašīnu, kamēr dzinējs darbojas.
- f. Noņemiet bloķēšanas ierīci no iekārtas:
 - Pirms šķēršļa izņemšanas.
 - Pirms mašīnas pārbaudes, tīrīšanas vai labošanas;
 - Sadursmes ar svešķermeni gadījumā, lai pārbaudītu, vai mašīna nav bojāta;
 - Ja mašīna sāk spēcīgi vibrēt, lai pārbaudītu, vai nav bojājumu, pirms atkārtotas iedarbināšanas.
- g. Neatstājiet ieslēgtu mašīnu bez uzraudzības mājdzīvnieku, bērnu vai citu tuvumā esošu cilvēku klātbūtnē.

Tehniskā apkope un uzglabāšana

- a. Labi pievelciet visus uzgriežņus, bultskrūves un skrūves, lai nodrošinātu mašīnas drošu darbību.
- b. Bieži pārbaudiet robotizētu pļaujmašīnu, lai pārliedzītos, vai tā nav nodilusi vai bojāta.
- c. Drošības apsvērumu dēļ ir jānomaina nodilušas vai bojātas daļas.

- d. Pārliecinieties, ka asmeņi tiek nomainīti tikai ar piemērotām rezerves daļām.
- e. Pārliecinieties, vai akumulatori tiek uzlādēti, izmantojot pareizo ražotāja ieteikto akumulatoru lādētāju. Nepareizi izmantošana var izraisīt elektrisko triecienu, pārkaršanu vai akumulatora kodīga elektrolīta izliešanu.
- f. Elektrolīta noplūdes gadījumā nomazgājiet ar ūdeni/neitralizējošu līdzekli un vērsieties pie ārsta, ja tas nokļūst acīs u.c.
- g. Mašīnas apkope jāveic saskaņā ar ražotāja norādījumiem.

Atlikušie riski

- Lai gan izstrādājums atbilst visām drošības prasībām, nepareizas uzstādīšanas un/ vai neparedzētu situāciju dēļ var rasties papildu riski.

Tādēļ ir nepieciešams, lai teritorijā, kurā darbojas izstrādājums, nebūtu priekšmetu, cilvēku un dzīvnieku, turklāt ir jāinformē visas personas, kas var piekļūt darba zonai, tai skaitā īslaicīgi, par iespējamām briesmām.

- Pērkona negaisa gadījumā ar zibens risku un vispār, ja ir gaidāmi slikti laikapstākļi, ieteicams nelietot izstrādājumu un atslēgt perimetra vadu no uzlādes bāzes, kā arī visas perifērijas ierīces no elektrības tīkla. Lai izmantotu izstrādājumu, atkārtoti pievienojiet perimetra vadu un perifērijas ierīces elektrības tīklam saskaņā ar rokasgrāmatā izklāstītajiem norādījumiem.

1.2. IZSTRĀDĀJUMA APRAKSTS

Robotizēta pļaujmašīna ir paredzēta zāles pļaušanai dārza daļās, kas norobežotas ar perimetra kabeli. Darbības princips ir balstīts uz nejašu kustību. Robotizēta pļaujmašīna maina trajektoriju, kad tā sasniedz perimetra kabeli vai šķērsli.

Pļaujmašīnas izmantošana citiem mērķiem var būt bīstama un var radīt ievainojumus un/vai bojāt mantu. Par nepareizu izmantošanu tiek uzskatīts (tikai piemēra labad, saraksts nav pilns): cilvēku, bērnu vai dzīvnieku pārvadāšana mašīnā; braukšana ar mašīnu; mašīnas izmantošana kravas vilkšanai vai stumšanai; mašīnas izmantošana augu pļaušanai, kas nav zāle.

Platforma TIPS: SRBW01 ir aprīkota ar 3G/4G moduli ar SIM karti un GNSS moduli, kas nodrošina robotizētās pļaujmašīnas tālvadību un navigācijas palīgfunkcijas.

1.3. SIMBOLI UN ZĪMES



UZMANĪBU:

Pirms izstrādājuma ieslēgšanas izlasiet lietotāja instrukciju.



UZMANĪBU:

Priekšmetu izmešanas risks cilvēku virzienā.

Turieties drošā attālumā no mašīnas, kamēr tā darbojas.



UZMANĪBU:

Neievietojiet rokas vai kājas nodalījumā, kurā atrodas pļaušanas ierīce.

Pirms darbu veikšanas mašīnā vai pirms tās pacelšanas noņemiet atslēgšanas ierīci.



UZMANĪBU:

Neievietojiet rokas vai kājas nodalījumā, kurā atrodas pļaušanas ierīce.

Nekāpiet uz mašīnas.



AIZLIEGUMS:

Pārliecinieties, ka, kamēr mašīna darbojas, darba zonā nav cilvēku (īpaši bērnu, vecāka gadagājuma cilvēku vai invalīdu) un mājdzīvnieku.

Sekoiet tam, lai bērni, mājas dzīvnieki un citas personas atrastos drošā attālumā, kamēr mašīna darbojas.



AIZLIEGUMS:

Mašīnas tīrīšanai vai mazgāšanai neizmantojiet augstspiediena mazgātājus.



Ierīce ar III izolācijas klasi, darbināma no akumulatora (robotizēta pļaujmašīna) vai izmantojot speciālu barošanas bloku (uzlādes bāze un atsauce stacija).



Izmantojiet oriģinālo barošanas bloku, kura raksturlielumi ir norādīti uz datu plāksnītes.



Līdzstrāvas barošanas avota simbols.

IPXX



Aizsardzības pakāpe pret cietu daļiņu un ūdens iekļūšanu.

Elektrisko un elektronisko iekārtu atkritumi, kas nogādājami attiecīgajos pārstrādes un apglabāšanas centros.



Garantētais skaņas jaudas līmenis

1.4. ROBOTIZĒTAS PĻAUJMAŠĪNAS DROŠĀ APTURĒTAS UN IZSLĒGŠANA



PIENĀKUMS:

Pirms jebkādu tīrīšanas, transportēšanas vai tehniskās apkopes darbu veikšanas vienmēr drošā veidā izslēdziet robotizētu pļaujmašīnu.

1. Nospiediet pogu "STOP" (1.A att.), lai drošā veidā apturētu robotizētu pļaujmašīnu un atvērtu aizsargvāku (1.B att.).
2. Nospiediet izslēgšanas pogu (1.E att.) uz dažām sekundēm un uzgaidiet, līdz izdzīst pogas indikators.
3. Tikai pēc indikatora (1.E att.) izslēgšanas atvienojiet drošības atslēgu (1.D att.), lai drošā veidā izslēgtu robotizētu pļaujmašīnu.
4. Robotizēta pļaujmašīna ir apturēta vai izslēgta drošā veidā.

2. UZSTĀDĪŠANA



UZMANĪBU:

Nekad nemodificējiet, neizjauciet, neatslēdziet un nenonēmiat uzstādītās drošības ierīces.

PIEZĪME: Lai iegūtu papildinformāciju par izstrādājuma uzstādīšanu, sazinieties ar STIGA dīleri.

MONTĀŽAS DETALĀS (2. att.)

(A) Uzlādes bāze, (B) Barošanas bloks, (C) Perimetra kabelis, (D) Perimetra kabeļa stiprinājuma tapas, (E) Uzlādes bāzes stiprinājuma skrūves, (F) Perimetra kabeļa savienojums, (G) Uzlādes bāzes savienotāji.

2.1. UZSTĀDĪŠANAS PRASĪBU PĀRBAUDE

2.1.1. DĀRZA PĀRBAUDE:

- Pārbaudiet dārza stāvokli atbilstoši norādījumiem, kas izklāstīti 1. nod.
- Izfīdziniet zemi tā, lai pēc lietus neveidotos dubļainas peļķes.

2.1.2. PĀRBAUDES PIRMS UZLĀDES BĀZES UN BAROŠANAS BLOKA UZSTĀDĪŠANAS:



ELEKTORISKS:

Ir jāsaģatavo kontaktligzda, kas atbilst valstī spēkā esošajiem tiesību aktiem.



ELEKTORISKS:

Piegādātajai ķēdei jābūt aizsargātai ar diferenciālo slēdzi (RCD), kas aktivizējas pie strāvas, kas nepārsniedz 30 mA.



ELEKTORISKS:

Nepieslēdziet barošanas bloku kontaktligzdai, ja kontaktdakša vai kabelis ir bojāts.

Nepieslēdziet un nepieskarīties bojātam kabelim, kamēr tas nav atvienots no barošanas avota.

Bojāta vada dēļ jūs varat nonākt saskarē ar spriegumaktīvām daļām.

1. Saģatavojiet zāliena malā līdzenu laukumu, lai izvietotu uzlādes bāzi
2. Pārliecinieties, ka attālums no bāzes līdz iespējamiem likumiem ir vismaz 200 cm.



UZMANĪBU:

Barošanas kabelim, barošanas blokam, pagarinātājam un jebkuram citam elektrības kabelim, kas neietilpst izstrādājuma komplektā, jāatrodas ārpus pļaušanas zonas, lai tie būtu prom no bīstamām kustīgām daļām un lai izvairītos no kabeļu bojājumiem, kas var nonākt saskarē ar spriegumaktīvajām daļām.

3. Saģatavojiet barošanas bloka uzstādīšanas zonu tā, lai tā nekādos laika apstākļos nevarētu ieģrimt ūdenī. To ir ieteicams uzstādīt slēgtā nodalījumā, kas aizsargāts no atmosfēras iedarbības, tādā vietā, kas nav viegli pieejama nepiederošām personām.

2.1.3. GALVENĀSPERIMETRAKABEĻA UZSTĀDĪŠANAS PĀRBAUDES:

1. Pārbaudiet, vai darba zonas maksimālais slīpums ir mazāks vai vienāds ar 45% vai 50%, atkarībā no modeļa (skat. 7. par. TEHNISKIE DATI), un ievērojiet noteikumus, kas norādīti 3. att.



UZMANĪBU:

Robots var pļaut virsmas, kuru slīpumu nepārsniedz 45% vai 50%, atkarībā no modeļa. Ja šie norādījumi netiek ievēroti, robots var izslīdēt un iziet no darba zonas



UZMANĪBU:

Apgabalus, kuros virsmas slīpums pārsniedz maksimālo pieļaujamo robežvērtību, nevar nopļaut. Šajās gadījumā novietojiet perimetra kabeli pirms slīpas zonas, izslēdzot to no pļaujāmā zāliena apgabala.

2. Pārbaudiet visu darba virsmu: novērtējiet šķēršļus un zonas, kas jāizslēdz no darba zonas, kuras jānorobežo ar perimetra kabeli.

2.2. PERIMETRA KABEĻA UZSTĀDĪŠANAS KRITĒRIJI

Turpmāk ir atrodamas perimetra kabeļa uzstādīšanas kritēriji, sīkāku informāciju skatiet pilnā ekspluatācijas rokasgrāmatā.

MINIMĀLIE ATTĀLUMI		
KONSTRUKCIJAS ELEMENTS	MINIMĀLAIS KABEĻA UZSTĀDĪŠANAS ATTĀLUMS NO KONSTRUKCIJAS ELEMENTA	
TIPS	SRSW01	SRBW01
Virsmā ar segumu vai celiņš vienā līmenī ar zālienu	5 cm	5 cm
Grāvis, siena vai žogs	35 cm	45 cm
Dzīvžogs vai augs, kura saknes atrodas virs zemes	30 cm	40 cm
Baseīns, dīķis, koplietošanas ceļš bez nožogojuma	90 cm	100 cm
Baseīns vai ceļš aiz nogāzes	150 cm	150 cm

ŠĶĒRSĻU NOROBEŽOŠANAS VEIDI		
ATTĀLUMS X STARP DIVIEM DAŽĀDIEM PERIMETRA KABEĻA POSMIEM		
TIPS		
SRSW01	SRBW01	
X _{>=} 70 cm (4. att.)	X _{>=} 90 cm (4. att.)	Šķērslis var norobežot, pārklājot izejošo un ieejošo kabeļa posmu, nekustojot tos.
X _{<} 70 cm (5. att.)	X _{<} 90 cm (5. att.)	Šķērslis var norobežot, attālinot izejošo un ieejošo kabeļa posmu vismaz par Y= 30 cm. Ja šķērslis ir pietiekami izturīgs, to var atstāt bez aizsardzības.

CEĻIŅI STARP DAŽĀDĀM DĀRZA ZONĀM		
KORIDORA PLATUMS Z		
TIPS		
SRSW01	SRBW01	
Z _{>=} 70 cm (6. att.)	Z _{>=} 90 cm (6. att.)	Robotizēta plaujmašīna var sasniegt zonu (6.A att.).
Z _{<} 70 cm (6. att.)	Z _{<} 90 cm (6. att.)	Robotizēta plaujmašīna nevar sasniegt zonu (6.A att.) un tādēļ tā ir uzskatāma par "slēgto zonu".

**BRĪDINĀJUMS:**

Darba zona un vispār zonas, kurās robotizētā plaujmašīna var pārvietoties, ir jānorobežo ar nepārvaramu barjeru. Nodrošiniet, ka nožogojums atbilst šīm prasībām, vai darbības laikā uzraugiet robotizētu plaujmašīnu.

2.3. SASTĀVDAĻU UZSTĀDĪŠANA**ELEKTORISKS:**

Izmantojiet tikai Ražotāja piegādāto akumulatoru lādētāju un barošanas bloku. Nepiemērota izmantošana var izraisīt elektrošoku un/vai pārkaršanu.

**BRĪDINĀJUMS:**

Roku sagriešanas bīstamība. Izmantojiet aizsargcimdus, lai izvairītos no roku savainošanas.

**BRĪDINĀJUMS:**

Putekļu nokļūšanas acīs risks. Izmantojiet aizsargbrilles, lai izvairītos no putekļu nokļūšanas acīs.

**ELEKTORISKS:**

Ieslēdziet elektrības padevi tikai pēc visu uzstādīšanas operāciju pabeigšanas. Nepieciešamības gadījumā uzstādīšanas laikā atslēdziet galveno elektrības avotu.

2.3.1. PERIMETRA KABEĻA UZSTĀDĪŠANA**TAPU NOVĪETOŠANA**

1. Iekļājiet perimetra kabeli, sākot no uzlādes bāzes uzstādīšanas zonas.
2. Iekļājiet kabeli gareniski visam ceļam, nostiprinot to ar speciālām tapām (7.B att.), kas izvietotas apmēram 100 cm attālumā viena no otras, un ievērojot izklāstītās uzstādīšanas prasības (skat. par. 2.2).
3. Atstājiet 2 m kabeļa rezervi, kuru pieslēgšanas beigās varēs saīsināt līdz pareizajam garumam.
4. Līkumos novietojiet kabeli tā, lai līkuma rādiuss būtu aptuveni 20 cm (7.A att.).

KOPĒJAIS PERIMETRA KABEĻA GARUMS	STIGA KABEĻI, KAS PIEMĒROTI MONTĀŽAI	
< 400m	Kods 1127-0000-01	150 m spole, Ø 2,7 mm
	Kods 1127-0001-01	300 m spole, Ø 2,7 mm
	Kods 1127-0002-01	500 m spole, Ø 3,4 mm
	Kods 1127-0003-01	1000 m spole, Ø 3,4 mm
≥ 400m līdz maks. 1000m	Kods 1127-0002-01	500 m spole, Ø 3,4 mm
	Kods 1127-0003-01	1000 m spole, Ø 3,4 mm

**UZMANĪBU:**

Pārliecinieties, ka vads visa ceļa garumā saskaras ar zemi, lai robotizēta plaujmašīna to nesabojātu.

PIEZĪME: Uzstādīšanai izmantotā perimetra kabeļa garumam jābūt vismaz 40 m. Ja kabeļa garums ir mazāks, ir jāuzstāda rezistors, kods 122063053/0. Skatiet pilnu ekspluatācijas rokasgrāmatu.

2.3.2. UZLĀDES BĀZES UZSTĀDĪŠANA

Uzstādiet uzlādes bāzi uz vienas ass ar perimetra kabeli tā, lai robots tai varētu piekļūt, sekojot perimetra kabelim pulksteņrādītāja virzienā.

1. Pārbaudiet uzstādīšanas prasības, kas minētas 2.2.
2. Nepieciešamības gadījumā sagatavojiet zemi tā, lai uzlādes bāzes virsma būtu vienā līmenī ar zālienu, zemei jābūt pilnīgi līdzenai un blīvai, lai izvairītos no uzlādes bāzes virsmas deformācijas.
3. Noņemiet vāku (8.C att.).
4. Novietojiet uzlādes bāzi uz vienas ass ar perimetra kabeli (8.D2 att.) tā, lai robots tai varētu piekļūt, pārvietojoties, sekojot perimetra kabelim pulksteņrādītāja virzienā.
5. Ievietojiet abus kabeļa galus attiecīgajos kanālos (8.E2 att.).
6. Nogrīziet kabeļu galus līdz precīzam izmēram.
7. Uzlieciet pašperforējošos savienotājus uz kabeļa (9.F att.), (9.G att.), (9.H att.).
8. Savienojiet savienotājus ar spailēm (8.I att.).
9. Piestipriniet uzlādes bāzi (10.L att.) pie zemes, izmantojot nostiprinātājskrūves (10.M att.).
10. Uzstādiet vāku (10.C att.) atpakaļ.

11. Pievienojiet barošanas bloku uzlādes bāzei un pieskrūvējiet savienotāju.
12. Pievienojiet barošanas bloka kontaktdakšu pie elektrības tīkla rozetes.
13. Pārbaudiet, vai, kamēr robotizēta plaujmašīna nav uzlādes bāzē, lādēšanas bāzes indikators (10.N att.) deg nepārtraukti (skat. 3.3. nod.).

2.4. ROBOTIZĒTAS PĻAUJMAŠĪNAS UZSTĀDĪŠANA PĒC UZSTĀDĪŠANAS

Uzlādējot akumulatorus pirmo reizi, tie jāuzlādē vismaz 2 stundas.

2.5. IZSTRĀDĀJUMA IESTĀTĪJUMI

Lai robotizētu plaujmašīnu varētu izmantot automātiskajā darbības režīmā, ir nepieciešami vairāki iestatījumi, kurus var veikt, izmantojot mobilo ierīci (viedtālruni) ar iOS vai Android operētājsistēmu un ar instalētu lietotni "STIGA GO".

PIEZĪME: Pieejamo funkciju apraksts ir atrodams pilnā ekspluatācijas rokasgrāmatā.

3. DARBĪBA

3.1. ROBOTIZĒTAS PĻAUJMAŠĪNAS MANUĀLA VADĪBA

Robotizētu plaujmašīnu var izmantot, neveicot aprakstīto programmēšanu (skat. 2.5. par.). Šajā režīmā robotizēta plaujmašīna veic darba ciklu, atgriežas uzlādes bāzē un paliek tajā līdz nākamajai manuālajai palaišanai.

1. Novietojiet robotizētu plaujmašīnu uzlādes bāzē vai jebkurā gadījumā sistēmas perimetrā.
2. Nospiediet pogu "STOP" (1.A att.), lai atvērtu vāku (1.B att.) un piekļūtu vadības konsolei (1.C att.).
3. Nospiediet pogu "ON/OFF" (1.E att.) un turiet to 5 sekundes, lai ieslēgtu robotizētu plaujmašīnu.
4. Spiediet pogu "REŽĪMA IZVĒLE" (1.F att.), līdz sāk mirgot tikai ikona (1.L att.).
5. Nospiediet pogu "APSTIPRINĀT" (1.G att.) Ikona (1.L att.) iedegas nepārtraukti, apstiprinot darbību. Aizveriet vāku (1.B att.).
6. Robotizēta plaujmašīna sāk darboties.

PIEZĪME: šis režīms var negarantēt pietiekamu dārza pārklājumu gan attiecībā uz nepieciešamo laiku, gan attiecībā uz pļaušanas rezultātu vienmērīgumu, it īpaši, ja dārzam ir neregulāra forma. Lai nodrošinātu robotizētas plaujmašīnas maksimālu darbības efektivitāti, iesakām veikt programmēšanu (skat. 2.5. par.).

3.2. ROBOTIZĒTAS PĻAUJMAŠĪNAS VADĪBAS IERĪČU APRAKSTS

Komandu, indikatoru un to funkciju saraksts:

- Poga "STOP" (1.A att.): izmanto robotizētas plaujmašīnas drošai apturēšanai.
- "DROŠĪBAS ATSLĒGA" (1.D att.): izmanto robotizētas plaujmašīnas drošai izslēgšanai.
- Poga "ON/OFF" (1.E att.): izmanto robotizētas plaujmašīnas ieslēgšanai un izslēgšanai, kā arī trauksmes signālu izslēgšanai.
- Poga "REŽĪMA IZVĒLE" (1.F att.): izmanto, lai izvēlētos robotizētas plaujmašīnas darbības režīmu un piespiestu atgriezties uzlādes bāzē.

- Poga "APSTIPRINĀT" (1.G att.): izmanto, lai apstiprinātu iestafto darbības režīmu.
- Gaismas ikona "IEPLĀNOTĀ PROGRAMMA" (1.I att.): izmanto, lai parādītu iepilānotās programmas iestatījumus.
- Gaismas ikona "VIENS DARBA CIKLS" (1.L att.): izmanto, lai parādītu viena darba cikla iestatījumus.
- Gaismas ikona "ATGRIEZTIES BĀZĒ" (1.H att.): izmanto, lai parādītu robotizētas plaujmašīnas piespiedu atgriešanās uzlādes bāzē iestatījumu.
- Pogu "BLUETOOTH" (1.M att.) izmanto tikai servisa centri diagnostikas vajadzībām.
- Gaismas ikona "TRAUKSME" (1.N att.): izmanto trauksmes stāvokļu attēlošanai.
- Gaismas ikona "AKUMULATORI" (1.O att.): izmanto, lai parādītu akumulatora uzlādes līmeni.

PIEZĪME: Iepriekš uzskaitīto vadības orgānu apraksts ir atrodams pilnajā ekspluatācijas rokasgrāmatā.

3.3. UZLĀDES BĀZES DARBĪBA

Uzlādes bāze ir aprīkota ar indikatorlampiņu (10.N att.), kas iedegas šādos gadījumos:

- Indikatorlampiņa izslēgta: uzlādes bāzei netiek padota strāva vai robots atrodas bāzē.
- Indikatorlampiņa deg nepārtraukti: perimetra kabelis ir pareizi pieslēgts uzlādes bāzei un perimetra signāls tiek pareizi pārraidīts.
- Lēnām mirgojoša indikatorlampiņa: perimetra kabelis nav pieslēgts vai ir pārrauts.
- Ātri mirgojošā indikatorlampiņa: perimetra kabelis ir pārkārtss vai ir uzlādes bāzes kļūme.

3.4. AKUMULATORA UZLĀDE

Procedūra "AKUMULATORA UZLĀDE" ļauj manuāli uzlādēt robotizētu plaujmašīnu.

1. Novietojiet robotizētu plaujmašīnu uzlādes bāzē (11.R att.)
2. Iebīdīet robotizētu plaujmašīnu uzlādes bāzē, lai iespraustu uzlādes savienotāju (11.S att.).
3. Nospiediet pogu "STOP" (11.A att.), lai atvērtu vāku (11.B att.) un piekļūtu vadības konsolei (11.C att.).
4. Ieslēdziet robotizētu plaujmašīnu, izmantojot pogu "ON/OFF" (11.E att.).
5. Gaismas ikona "AKUMULATORI" (11.L att.) mirgo, robotizēta plaujmašīna tiek uzlādēta.
6. Aizveriet vāku (11.B att.).
7. Atstājiet robotizētu plaujmašīnu uzlādēties vismaz tādu laiku, kas norādīts 2.4.

PIEZĪME: Pirms ziemas uzglabāšanas akumulators jāuzlādē, kā norādīts 4.3. par.

3.5. PĻAUŠANAS AUGSTUMA REGULĒŠANA

PLATFORMAS TIPS SRSW01 - MANUĀLA REGULĒŠANA

1. Izslēdziet robotizētu plaujmašīnu drošā veidā (skat. 1.4. par.).
2. Ar augstuma regulētāja (12.P att.) palīdzību izvēlieties vēlamu pļaušanas augstumu tā, lai noplautā zāles daļa nepārsniegtu 10 mm.

PIEZĪME: Robotizētas plaujmašīnas noplautās zāles daļas garums nedrīkst pārsniegt 10 mm.

PLATFORMAS TIPS SRBW01 - ELEKTRISKA REGULĒŠANA

Lai noregulētu plaušanas augstumu, izmantojiet lietotnē pieejamo vedni.

Asmeņu augstuma regulēšanas sistēmai nepieciešama sākotnējā kalibrēšana un periodiska kalibrēšana, kas tiek veikta automātiski. Kalibrēšanu var veikt arī manuāli, izmantojot speciālu lietotnes izvēlni.



BRĪDINĀJUMS:

Plaušanas augstuma regulēšanas laikā nepieskarieties griezējierīcei.

PIEZĪME: Robotizētas plaujmašīnas noplautās zāles daļas garums nedrīkst pārsniegt 10 mm.

4. TEHNISKĀ APKOPE



BRĪDINĀJUMS:

Izmantojiet tikai oriģinālās rezerves daļas.



BRĪDINĀJUMS:

Nekad nemodificējiet, neizjauciet, neatslēdziet un nenonemiet uzstādītās drošības ierīces.



BRĪDINĀJUMS:

Roku sagriešanas bīstamība. Izmantojiet aizsargcimdus, lai izvairītos no roku savainošanas.



BRĪDINĀJUMS:

Putekļu nokļūšanas acīs risks. Izmantojiet aizsargbrilles, lai izvairītos no putekļu nokļūšanas acīs.



UZMANĪBU:

Pārāk liela ūdens daudzuma lietošana var izraisīt to nokļūšanu uz elektriskajām sastāvdaļām, sabojājot tās.



AIZLIEGUMS:

Neizmantojiet augstspiediena ūdens mazgāšanas iekārtas.



AIZLIEGUMS:

Lai izvairītos no elektrisko un elektronisko komponentu neatgriezeniska bojājuma, neiegremdējiet (daļēji vai pilnīgi) robotizētu plaujmašīnu ūdeni.



AIZLIEGUMS:

Nemazgājiet robotizētas plaujmašīnas iekšējās daļas, lai nesabojātu elektriskās un elektroniskās sastāvdaļas.



AIZLIEGUMS:

Neizmantojiet šķīdinātājus vai benzīnu, lai nesabojātu krāsotas virsmas un plastmasas elementus.

4.1. PLĀNOTĀ TEHNISKĀ APKOPE

Lai nodrošinātu labāku darbību un ilgāku kalpošanas laiku, regulāri tīriet izstrādājumu un mainiet nodilušas detaļas.

Veiciet darbus ar tabulā norādīto biežumu.

BIEŽUMS	SASTĀVDAĻA	APKOPES DARBU VEIDS
Reizi nedēļā	Asmens	Iztīriet un pārbaudiet asmens efektivitāti. (Skat. 4.2. att.) Ja asmens deformējas trieciena dēļ vai, ja tas ir nodilis, nomainiet to. (Skat. 4.2. att.)
	Uzļādes kontakti	Iztīriet un novāciet iespējamās oksidēšanas pazīmes. (Skatīt pilnu ekspluatācijas rokasgrāmatu)
Reizi mēnesī	Robotizēta plaujmašīna	Veiciet tīrīšanu. (Skatīt pilnu ekspluatācijas rokasgrāmatu)
	Uzļādes bāze un barošanas vadi	Pārbaudiet nodilumu un bojājumus, nepieciešamības gadījumā nomainiet tos. (Skatīt pilnu ekspluatācijas rokasgrāmatu)
Plaušanas sezonas beigās vai ik pēc sešiem mēnešiem, ja robotizēta plaujmašīna netiek izmantota	Akumulators	Veiciet uzlādi, kas paredzēta pirms akumulatora uzglabāšanas. (Skat. 4.3. att.)
Katru gadu vai plaušanas sezonas beigās	Robotizēta plaujmašīna	Veiciet tehnisko apkopi autorizētajā servisa centrā. (Skat. 4.1. att.)

Reizi gadā ir jāveic tehniskā apkope pilnvarotajā servisa centrā, lai uzturētu robotizētas plaujmašīnas labu darba stāvokli.

PIEZĪME: garantija neattiecas uz iespējamiem defektiem, kas radās ikgadējas tehniskās apkopes neveikšanas dēļ.

4.2. PĻAUŠANAS ASMEŅU MAIŅĀ

- Izslēdziet robotizētu plaujmašīnu drošā veidā (skat. 1.4. par.).
- Apgrīziet robotizētu plaujmašīnu otrādi, sekojot tam, lai peldošais vāks netiktu sabojāts.
- Atskrūvējiet nostiprinātājskrūves (14.E att.)
- Nomainiet plaušanas asmeņus (14.D att.)
- Pivelciet nostiprinātājskrūves (14.E att.)

4.3. AKUMULATORA ZIEMAS APKOPE UN UZGLABĀŠANA

- Uzlādējiet akumulatoru saskaņā ar lietotnes vedni, kas atrodams lapā "Iestatījumi".
- Iztīriet robotizētu plaujmašīnu (skat. pilnu ekspluatācijas rokasgrāmatu).
- Uzglabājiet robotizētu plaujmašīnu sausā vietā, kas pasargāta no sala, pārliecinoties, ka tā ir izslēgta.

PIEZĪME: Sīkāku informāciju par ziemas uzlādes procedūru skatiet pilnā ekspluatācijas rokasgrāmatā.

PIEZĪME: Lai akumulatora garantija būtu spēkā, ir jāreģistrē uzlāde, izmantojot lietotnes procedūru.

4.4. AKUMULATORA MAIŅA

Akumulatora nomaiņu drīkst veikt tikai STIGA TEHNISKĀ ATBALSTA DIENESTA PERSONĀLS.

Ja akumulators ir jānomaina, sazinieties ar tehniskā atbalsta dienestu vai tuvāko izplatītāju.

5. TRANSPORTĒŠANA, UZGLABĀŠANA UN UTILIZĀCIJA

5.1. TRANSPORTĒŠANA

PIEZĪME: Transportējot lielos attālumos, iesakām izmantot oriģinālo iepakojumu.

1. Izslēdziet robotizētu plaujmašīnu drošā veidā (skat. 1.4. par.).
2. Izfīriert robotizētu plaujmašīnu (skat. pilnu ekspluatācijas rokasgrāmatu).
3. Robotizētas plaujmašīnas pacelšanai izmantojiet speciālu rokturi (15.D att.) un pārvietojot to, turiet plaušanas asmeni prom no ķermeņa.

6. PROBLĒMU NOVĒRŠANA



BRĪDINĀJUMS:

Apturiet robotizētu plaujmašīnu un uzstādiet to drošā stāvoklī (skat. 1.4. par.).

Zemāk ir atrodams saraksts ar visām kļūmēm, kas var rasties darba laikā.

TRAUCĒJUMS	CĒLOŅI	RISINĀJUMI
Nepareizas vibrācijas. Trokšņi robotizētas plaujmašīnas darbības laikā.	Bojāts plaušanas disks vai asmeņi	Nomainiet bojātas sastāvdaļas (skat. 4.2. par.).
	Plaušanas ierīce iesprūda netīrumos (lentēs, trosēs, plastmasas daļās u.c.).	Izslēdziet robotizētu plaujmašīnu drošā veidā (skat. 1.4. par.). Atbrīvojiet plaušanas asmeni.
	Robotizēta plaujmašīna tika iedarbināta neparedzēto šķēršļu klātbūtnē (nokrituši zari, aizmirstas mantas u.c.).	Izslēdziet robotizētu plaujmašīnu drošā veidā (skat. 1.4. par.). Izņemiet šķēršļus un restartējiet robotizētu plaujmašīnu.
	Elektromotora avārija.	Nomainiet dzinēju, vērsieties tuvākajā autorizētajā tehniskā atbalsta centrā.
	Zāle ir pārāk augsta.	Palieliniet plaušanas augstumu (skat. 3.5. par.). Veiciet iepriekšējo plaušanu zonā ar parastu plaujmašīnu.
Robotizēta plaujmašīna nevar pareizi izvietoties uzlādes stacijā.	Nepareizi izvietots perimetra kabelis.	Pārbaudiet uzlādes stacijas savienojumu (skat. 2.3.2. par.).
	Zemes virsmas padziļinājums uzlādes bāzes tuvumā.	Novietojiet uzlādes bāzi pareizā stāvoklī. (Skat. 2.3.2. par.).
Nepareiza robotizētas plaujmašīnas uzvedība, apbraucot šķēršļus uz perimetra.	Perimetra kabelis ir ierīkots nepareizi.	Pareizi ierīkojiet perimetra kabeli (pulksteņrādītāja virzienā) (skat. 2.3.1. par.).
Uzlādes bāzes indikatorlampiņa iedegas, kamēr robots nav uzlādes bāzē.	Netiek padota elektriskā strāva vai uzlādes bāzes kļūme.	Pārbaudiet, vai barošanas avota kontaktdakša ir savienota pareizi. Pārbaudiet barošanas bloka savienošanas kabeļa integritāti.
Uzlādes bāzes indikatorlampiņa sāk lēnām mirgot	Perimetra kabelis nav pieslēgts vai ir pārrauts	Pārbaudiet uzstādīšanu un salabojiet pārrāvumu (skat. 2.3. par.)
Uzlādes bāzes indikatorlampiņa sāk ātri mirgot	Perimetra kabelis ir pārāk īss vai ir uzlādes bāzes kļūme.	Pārbaudiet, vai perimetra kabeļa garums ir lielāks, nekā norādīts 2.3.2. par. Ja problēma nepazūd, sazinieties ar tehniskā atbalsta centru.
pogu panelī deg brīdinājuma ikona	Norāda uz darbības traucējumiem/defektiem.	Lai iegūtu plašāku informāciju, skatiet lietotni vai pilnu ekspluatācijas rokasgrāmatu.

5.2. UZGLABĀŠANA

Robotizēta plaujmašīna ir jāuzglabā horizontālā stāvoklī sausā vietā, kas aizsargāta no sala, vispirms izfīriert akumulatoru un veicot tā uzlādi, kas paredzēta pirms ziemas sezonas (skat. 4. nod.). Ilgstošas dīkstāves laikā atvienojiet uzlādes bāzi no elektrofikla.

5.3. UTILIZĀCIJA



BRĪDINĀJUMS:

Lai izņemtu akumulatoru no robotizētas plaujmašīnas, sazinieties ar pilnvarotu tehniskā atbalsta centru.

1. Utilizējiet izstrādājuma iepakojumu videi draudzīgā veidā, izmantojot piemērotus savākšanas konteinerus vai speciālus atkritumu savākšanas centrus.
2. Utilizējiet robotizētu plaujmašīnu saskaņā ar vietējo tiesību aktu prasībām.
3. Ņemot vērā to, ka robotizēta plaujmašīna ir klasificēta kā EEIA (elektrisko un elektronisko iekārtu atkritumi), sazinieties ar piemērotu atkritumu pārstrādes un utilizācijas uzņēmumu.
4. Utilizējiet vecās vai nolietotās baterijas videi draudzīgā veidā, izmantojot piemērotus savākšanas konteinerus vai speciālus atkritumu savākšanas centrus.

7. TEHNISKIE DATI

RAKSTURLIELUMI	TIPS: SRSW01 (skatīt produkta etiķeti)	TIPS: SRBW01 (skatīt produkta etiķeti)
Izmēri (PxAxD)	413 x 252 x 560 [mm]	529 x 299 x 695 [mm]
Robotizētais plaujmašīnas svars	Atkarīgs no modeļa: 7,9 [kg] - 8,2 [kg] (*) (Kļūda +/-0,1 [kg])	Atkarīgs no modeļa: 12,8 [kg] - 13,5 [kg] (*) (Kļūda +/-0,1 [kg])
Plaušanas augstums (Min-Max)	20-60 [mm]	20-65 [mm]
Asmens diametrs	180 [mm]	260 [mm]
Plaušanas ātrums	2850+/-50 [apgr./min.]	2400+/-50 [apgr./min.]
Pārvietošanas ātrums	22 [m/min]	Atkarīgs no modeļa: 24 [m/min]; 28 [m/min] (*)
Maksimālais slīpums	45%	50%
Maksimālais slīpums garām perimetram		20%
Plaušanas sistēmas tips	4 grozāmie plaušanas asmeņi	6 grozāmie plaušanas asmeņi
Plaušanas ierīces kods	322104105/0	
Izmērītais skaņas jaudas līmenis	57 [dB] (A)	56 [dB] (A)
Trokšņa emisiju kļūda, KWA	1,47 [dB] (A)	0,56 [dB] (A)
Garantētais skaņas jaudas līmenis	59 [dB] (A)	57 [dB] (A)
Skaņas spiediena līmenis pie operatora auss	46,3 [dB] (A)	45,2 [dB] (A)
Robotizētais plaujmašīnas IP klasifikācija	IPX5	
Uzlādes stacijas IP klasifikācija	IPX1	
Barošanas bloka IP klasifikācija	IP67	
Robotizētais plaujmašīnas darba vides temperatūra [°C]	0 ÷ 50	
Uzlādes stacijas darba vides temperatūra [°C]	-10 ÷ 50	
Barošanas bloka darba vides temperatūra [°C]	-10 ÷ 50	
Darbaspēja	Atkarībā no modeļa (*)	Atkarībā no modeļa (*)
Barošana	Ieeja: 100-240 Vac, 1,2 A; izeja: 30 V līdzstr., 2 A Izmantojiet kādu no turpmāk norādītajiem oriģinālajiem kodiem vai turpmākus atjauninājumus (konsultējieties ar pilnvaroto STIGA izplatītāju) 118204158/0 (ES) 118204161/0 (APVIENOTĀ KARALISTE) 118204163/0 (ŠVEICE)	Ieeja: 200-240 Vac, 0,8 A; izeja: 30 V līdzstr., 4 A Izmantojiet kādu no turpmāk norādītajiem oriģinālajiem kodiem vai turpmākus atjauninājumus (konsultējieties ar pilnvaroto STIGA izplatītāju) 118204159/0 (ES) 118204162/0 (APVIENOTĀ KARALISTE) 118204164/0 (ŠVEICE)
Pielaujamie 30 V līdzstr. pagarinājuma kabeli	Izmantojiet kādu no turpmāk norādītajiem oriģinālajiem kodiem vai turpmākus atjauninājumus (konsultējieties ar pilnvaroto STIGA izplatītāju) Kods: 1127-0010-01, garums 5 m Kods: 1127-0020-01, garums 15 m	
Akumulatora modelis	Atkarīgs no modeļa: 25,2V - 2Ah; 25,2V - 2,5Ah; 25,2V - 5Ah; 25,2V - 6Ah (*)	Atkarīgs no modeļa: 25,2V - 5Ah; 25,2V - 6Ah; 25,2V - 2x5Ah; 25,2V - 2x6Ah (*)
Uzlādes laiks	Atkarīgs no modeļa: 60 [min]; 80 [min]; 150 [min] (*)	Atkarīgs no modeļa: 150 [min]; 180 [min] (*)
Darba laiks	Atkarīgs no modeļa: 60 [min]; 90 [min]; 150 [min] (*)	270 [min]
Savienojamība	Bluetooth®	Bluetooth®, 4G, 3G, GSM
Navigācijas tehnoloģija		GNSS

(*) Lai saņemtu plašāku informāciju par konkrēto modeli, skatiet, lūdzu, pilnu rokasgrāmatu, kas pieejama tiešsaistē (skatiet QR kodu šīs rokasgrāmatas pirmajā lappusē).

Celotni priročnik z navodili je na voljo:

- ▷ na spletni strani stiga.com
- ▷ v aplikaciji **STIGA GO**, na voljo v App Store in Google Play
- ▷ s skeniranjem QR kode



OPOMBA: Navodila v tem priročniku veljajo za vse modele žično vodenih robotskih kosilnic. Slike se nanašajo na platformo SRSW01, če ni drugače navedeno.

OPOMBA: Ta priročnik vsebuje osnovna navodila, predvsem v zvezi z varnostjo. Za pravilno namestitev je treba natančno prebrati in upoštevati celotni priročnik z navodili (glejte zgoraj).

1. VARNOST

OBVEZNOST:

Pred uporabo natančno preberite in shranite za poznejšo uporabo.

1.1. VARNE DELOVNE PRAKSE

Usposabljanje

- a. Natančno preberite navodila, seznanite se s komandami in s pravilno uporabo stroja.
- b. Nikoli ne dovolite otrokom, osebam z zmanjšanimi fizičnimi, senzoričnimi ali duševnimi sposobnostmi ali pomanjkanjem izkušenj in znanja ter osebam, ki ne poznajo teh navodil, da bi uporabljali stroj. Lokalni predpisi lahko določajo minimalno starost upravljavca.
- c. Upravljavec ali uporabnik je odgovoren za nesreče ali nevarnosti, ki vključujejo tretje osebe ali opremo tretjih oseb.

Priprava

- a. Prepričajte se, da je avtomatski sistem obodne meje pravilno nameščen, v skladu z navodili.
- b. Redno pregledujte območje, na katerem uporabljate stroj, in odstranite kamne, palice, žice in druge tujke, ki bi lahko ovirali njegovo delovanje.
- c. Redno vizualno pregledujte rezila, vijake rezil in rezalni sklop, da se prepričate, da niso obrabljeni ali poškodovani. Obrabljena ali poškodovana rezila in vijake zamenjajte v parih, da ohranite ravnovesje stroja.
- d. Če se stroj uporablja na javnih površinah

ali površinah, ki so odprte javnosti, je treba okrog delovnega območja stroja namestiti opozorilne znake. Opozorila morajo imeti naslednje besedilo: "Pozor! Avtomatska kosilnica! Ostanite daleč od stroja! Nadzirajte otroke!".

1.1.1. DELOVANJE

Splošne informacije

- a. Ne upravljajte stroja, če ima okvarjena varovala ali je brez varnostnih naprav, na primer brez zaščit.
- b. Z rokami ali nogami ne segajte v bližino vrtečih se delov ali podnje. Bodite vedno dovolj oddaljeni od odprtine za izmet.
- c. Ne dotikajte se premikajočih se delov stroja, dokler se ne ustavijo popolnoma.
- d. Med delovanjem stroja vedno nosite trpežne čevlje in dolge hlače.
- e. Stroja ne dvigajte in ne prenašajte, ko je motor prižgan.
- f. Iz enote izvalcite napravo za onemogočitev:
 - Pred odpravljanjem zamašitve;
 - Pred pregledovanjem, čiščenjem ali delom na stroju;
 - Če v stroj trči tujek, da kontrolirate morebitno prisotnost poškodb;
 - Če se stroj začne nenormalno tresti, da pred ponovnim zagonom kontrolirate morebitno prisotnost poškodb.
- g. Delujočega stroja ne puščajte brez nadzora, če so v bližini prisotne domače živali, otroci ali drugi ljudje.

Vzdrževanje in shranjevanje

- a. Za varno delovanje stroja dobro zategnite vse matice in vijake.
- b. Pogosto preverjajte, ali je robotska kosilnica obrabljena ali v poslabšanem stanju.
- c. Zaradi varnosti je treba obrabljene ali poškodovane dele zamenjati.
- d. Prepričajte se, da se rezila zamenjajo samo z ustreznimi nadomestnimi deli.
- e. Prepričajte se, da se akumulatorji polnijo

s pravilnim polnilnikom, ki ga priporoča proizvajalec. Nepravilna uporaba lahko povzroči električne udare, pregrevanje ali uhajanje korozivne tekočine iz akumulatorja.

- f. V primeru uhajanja elektrolita umijte z vodo / nevtralizacijskim sredstvom in poiščite zdravniško primeru stika z očmi itd.
g. Vzdrževanje stroja je treba izvajati v skladu z navodili proizvajalca.

Preostala tveganja

- Čeprav je izdelek skladen z vsemi varnostnimi zahtevami, lahko zaradi nepravilne namestitve in/ali nepredvidljivih situacij obstajajo dodatna tveganja.

Zato je treba poskrbeti, da na območju, na katerem deluje izdelek, ni predmetov, ljudi in živali, ter o možnih nevarnostih obvestiti vse osebe, ki bi lahko imele, četudi le občasno, dostop do delovnega območja.

- V primeru neviht z nevarnostjo udara strele in na splošno v pričakovanju slabih vremenskih razmer je priporočljivo, da izdelka ne uporabljate ter odklopite obodno žico od polnilne postaje in vse periferne naprave od električnega omrežja. Ko želite izdelek uporabljati, obodno žico in periferne naprave ponovno priključite na električno napajanje v skladu z navodili v priročniku.

1.2. OPIS IZDELKA

Robotska kosilnica je namenjena košnji trave na območjih vrta, omejenih z obodno žico.

Princip delovanja temelji na naključnem premikanju. Robotska kosilnica spremeni svojo pot, ko zazna obodno žico ali oviro. Katerakoli druga raba je lahko nevarna in lahko povzroči poškodbe na ljudeh in/ali na kosilnici. K nepravilni uporabi spada (na primer, a ne samo): prevažati na stroju osebe, otroke ali živali; voziti se na stroju; uporabljati stroj za vleko ali potiskanje tovorov; uporabljati stroj za košnjo drugega, ne travnatega rastlinja.

Platforma TYPE: SRBW01 je opremljena z modulom 3G/4G s kartico SIM in modulom GNSS, ki omogočata daljinski nadzor robotske kosilnice in pomoč pri navigaciji.

1.3. ZNAKI IN TABLICE



POZOR:
Preberite navodila, namenjena uporabniku, preden zaženete delovanje izdelka.



POZOR:
Nevarnost izmetavanja predmetov v telo. Ko stroj deluje, ohranajte primerno varnostno razdaljo od njega.



POZOR:
Rok in nog ne vstavljajte v ohišje rezalne naprave.

Izvlcite napravo za onemogočitev, preden se lotite posegov na stroju oziroma ga dvignete.



POZOR:
Rok in nog ne vstavljajte v ohišje rezalne naprave.

Ne vzpenjajte se na stroj.



PREPOVED:

Prepričajte se, da na delovnem območju med delovanjem stroja ni ljudi (zlasti otrok, starejših ali invalidov) in domačih živali. Med delovanjem stroja pazite, da so otroci, domače živali in druge osebe na varnostni razdalji.



PREPOVED:

Za čiščenje ali pranje stroja ne uporabljajte visokotlačnih čistilcev.



Naprava z izolacijskim razredom III, ki se napaja z akumulatorjem (robotska kosilnica) oziroma posebnim napajalnikom (polnilna postaja in referenčna postaja).



Uporabljajte originalni napajalnik z lastnostmi, navedenimi na ploščici.



Znak za napajanje z enosmernim tokom.

IPXX

Stopnja zaščite pred vdorom trdnih delcev in vode.



Električna in elektronska oprema, ki jo je treba oddati v ustrezne obrate za recikliranje in odstranjevanje.



Zajamčena raven zvočne moči

1.4. USTAVITEV IN IZKLOP ROBOTSKO KOSILNICE V POGOJIH VARNOSTI



OBVEZNOST:

Pred čiščenjem, prevozom ali vzdrževanjem vedno varno izklopite robotsko kosilnico.

1. Pritisnite na gumb "STOP" (slika 1.A), da varno ustavite robotsko kosilnico, in odprite zaščitni pokrov (slika 1.B).
2. Pritisnite gumb za izklop (slika 1.E) za nekaj sekund in počakajte, da LED sijalka gumba ugasne.
3. Šele po ugasnitvi LED sijalke (slika 1.E) izvlecite varnostni ključ (slika 1.D) za izklop robotske kosilnice v pogojih varnosti.
4. Robotska kosilnica je varno ustavljena ali izklopljena.

2. MONTAŽA



POZOR:

Nameščenih varnostnih naprav ne spreminjajte, ne predelajte, ne zaobidite in ne odstranjujte.

OPOMBA: Za dodatna pojasnila o namestitvi izdelka se obrnite na prodajalca STIGA.

KOMPONENTE ZA NAMESTITEV (slika 2)

(A) polnilna postaja, (B) napajalnik, (C) obodna žica, (D) žebliji za pritrditev obodne žice, (E) vijaki za pritrditev polnilne postaje, (F) spoj za obodno žico, (G) konektorji za polnilno postajo.

2.1. PREVERJANJE POGOJEV ZA NAMESTITEV

2.1.1. PREVERJANJE POGOJEV NA VRTU:

- Preverite stanje vrta, kot je opisano v pogl. 1.
- Poravnajte tla tako, da ob dežju ne nastajajo luže.

2.1.2. PREVERJANJE ZA NAMESTITEV POLNILNE POSTAJE IN NAPAVALNIKA:



ELEKTRIČNA NEVARNOST:

Treba je pripraviti električno vtičnico, ki bo v skladu z veljavno zakonodajo države.



ELEKTRIČNA NEVARNOST:

Pripravljeno ožičenje mora biti zaščiteno z odklopnikom na diferenčni tok (RCD), katerega sprožilni tok ne sme biti višji od 30 mA.



ELEKTRIČNA NEVARNOST:

Napajalnika ne priključujte v električno vtičnico, če je vtičnik ali kabel poškodovan. Poškodovanega kabla ne priključujte; če je priklopljen, se ga ne dotikajte, preden ga ne odklopite od napajanja. Poškodovan kabel lahko privede do stika z deli, ki so pod napetostjo.

1. Na robu trate pripravite ravno območje za namestitev polnilne postaje
2. Prepričajte se, da je razdalja postaje od ovinkov vsaj 200 cm.



POZOR:

Napajalni kabel, napajalnik, podaljšek in kateri koli drugi električni kabli, ki ne pripadajo izdelku, morajo ostati zunaj območja košnje, tako da so vselej daleč od nevarnih delov v gibanju in se preprežijo poškodbe kablov, ki bi lahko privedle k stiku z deli pod napetostjo.

3. Pripravite območje namestitve napajalnika tako, da nobene vremenske razmere ne bodo mogle povzročiti njegovega zalitja z vodo. Najbolje ga je namestiti v zaprt prostor, zaščiten pred atmosferskimi vplivi, v položaju, ki ga neopoblaščen osebe, kot so otroci, ne morejo doseči.

2.1.3. GLAVNA PREVERJANJA ZA NAMESTITEV OBODNE ŽICE:

1. Preverite, če je največji naklon delovnega območja manjši ali enak 45 % ali 50 %, odvisno od modela (glejte odst. 7 TEHNIČNI PODATKI) in upoštevajte pravila, navedena na sliki 3.



POZOR:

Robot lahko kosi površine z največjim naklonom 45 % ali 50 %, odvisno od modela. Če se navodila ne upoštevajo, lahko robot zdrsne in izstopi iz delovnega območja



POZOR:

Ni mogoče kositi območij z nagibom, ki presega maksimalni dopustni nagib. Obodno žico torej namestite pred klancem, tako da bo tisti predel trate izključen iz območja košnje.

2. Preverite celotno delovno površino: prepoznajte ovire in območja, ki jih je treba izključiti iz delovnega območja in razmejiti z obodno žico.

2.2. KRITERIJI ZA NAMESTITEV OBODNE ŽICE

Spodaj so navedeni kriteriji za namestitev obodne žice; za podrobnejše informacije glejte celotni priročnik z navodili.

MINIMALNE ODDALJENOSTI			
STRUKTURNI ELEMENT	MINIMALNA ODDALJENOST NAMESTITVE KABLA GLEDE NA STRUKTURNI ELEMENT		
	TYPE	SRSW01	SRBW01
Tlak ali dovoz na isti ravni kot trata	5 cm	5 cm	
jarek, stena ali niz-zek zid	35 cm	45 cm	
Živa meja ali rastlina s štrlečimi koreninami	30 cm	40 cm	

Bazen, ribnik brez zidka, nezaščitena javna cesta	90 cm	100 cm
Bazen ali cesta na koncu klanca navzdol	150 cm	150 cm

TIPOLOGIJE RAZMEJITVE OVIR

PREHOD X MED DVEMA RAZLIČNIMA ODSEKOMA OBOodne ŽICE

TYPE		
SRSW01	SRBW01	
X ≥ 70 cm (slika 4)	X ≥ 90 cm (slika 4)	Oviro lahko razmejite tako, da se oba odseka žice ujemata (prekrivata), vendar se ne smeta prekrizati.
X < 70 cm (slika 5)	X < 90 cm (slika 5)	Oviro lahko razmejite tako, da oba odseka žice namestite v medsebojni razdalji najmanj Y = 30 cm. Če je ovira dovolj robustna, jo lahko pustite nezaščiteno.

PREHODI MED RAZLIČNIMI PREDELI VRTA

ŠIRINA KORIDORJA Z

TYPE		
SRSW01	SRBW01	
Z ≥ 70 cm (slika 6)	Z ≥ 90 cm (slika 6)	Območja (slika 6.A) robotska kosilnica ne more doseči.
Z < 70 cm (slika 6)	Z < 90 cm (slika 6)	Območja (slika 6.A) robotska kosilnica ne more doseči, zato ga je treba razumeti kot "zaprto območje".



OPOZORILO:

Delovno območje in na splošno območja, po katerih se robotska kosilnica lahko premika, morajo biti ograjena z neprehodno ograjo. Poskrbite za ustrezno ograjo ali pa nadzorujte robotsko kosilnico med njenim delovanjem.



ELEKTRIČNA NEVARNOST:

Uporabljajte izključno polnilnik akumulatorja in napajalnik, ki ju dobavi proizvajalec. Nepravilna uporaba lahko povzroči električne udare in/ali pregrevanje.



OPOZORILO:

Nevarnost ureza rok.

Uporabite zaščitne rokavice, da preprečite nevarnost ureza rok.



OPOZORILO:

Nevarnost izmeta drobcev v oči.

Uporabite zaščitna očala, da preprečite nevarnost izmeta drobcev v oči.



ELEKTRIČNA NEVARNOST:

Priključite električno napajanje šele po zaključku vseh namestitvenih postopkov. Po potrebi med namestitvijo izklopite splošno električno napajanje.

2.3.1. INŠTALACIJA OBOodne ŽICE

POLAGANJE S KLINI

1. Položite obodno žico, tako da jo začnete polagati na območju namestitve polnilne postaje.
2. Položite žico vzdolž celotne poti, pritrđite jo z ustreznimi klini (slika 7.B), razmaknjenimi približno 100 cm, in upoštevajte navedene pogoje za namestitev (glejte odst. 2.2).
3. Pustite 2 m žice več od celotne poti, da boste ta višek lahko odrezali po meri v zaključni fazi postopka.
4. Na ovinkih namestite kabel tako, da bo polmer ukrivljenosti približno 20 cm (slika 7.A).

SKUPNA DOLŽINA OBOodne ŽICE	KABLI STIGA, KOMPATIBILNI Z NAMESTITVIJO	
< 400 m	Koda 1127-0000-01	150 m kolot, Ø 2,7 mm
	Koda 1127-0001-01	300 m kolot, Ø 2,7 mm
	Koda 1127-0002-01	500 m kolot, Ø 3,4 mm
	Koda 1127-0003-01	1000 m kolot, Ø 3,4 mm
≥ 400m do max 1000m	Koda 1127-0002-01	500 m kolot, Ø 3,4 mm
	Koda 1127-0003-01	1000 m kolot, Ø 3,4 mm



POZOR:

Prepričajte se, da je žica na celotni poti v stiku s tlemi, da je robotska kosilnica ne bi poškodovala

OPOMBA: Obodna žica, ki jo uporabite za namestitev, mora biti dolga vsaj 40 m. Če je žica krajša, je treba namestiti upor s kodo 122063053/0. Oglejte si celotni priročnik z navodili.

2.3. NAMESTITEV KOMPONENT



ELEKTRIČNA NEVARNOST:

Uporabljajte izključno polnilnik akumulatorja in napajalnik, ki ju dobavi proizvajalec. Nepravilna uporaba lahko povzroči električne udare in/ali pregrevanje.



OPOZORILO:

Nevarnost ureza rok.

Uporabite zaščitne rokavice, da preprečite nevarnost ureza rok.



OPOZORILO:

Nevarnost izmeta drobcev v oči.

Uporabite zaščitna očala, da preprečite nevarnost izmeta drobcev v oči.

2.3.2. NAMESTITEV POLNILNE POSTAJE

Namestite polnilno postajo v linijo z obodno žico, tako da lahko robot pride do nje s krmiljenjem po obodni žici v smeri urinega kazalca.

1. Preverite pogoje za namestitev, kot je navedeno v odst. 2.2.
2. Po potrebi pripravite teren tako, da bo površina polnilne postaje na isti višini s trato; tla morajo biti popolnoma ravna in kompaktna, da se prepreči deformacija površine polnilne postaje.
3. Odstranite pokrov (slika 8.C).
4. Polnilno postajo postavite v linijo z obodno žico (slika 8.D2), tako da lahko robot pride do nje s krmiljenjem po obodni žici v smeri urinega kazalca.
5. Vstavite oba konca žice v odprtine (slika 8.E2).
6. Odrežite po meri oba konca žice.

7. Na žico namestite samoprepodobne konektorje (slika 9.F), (slika 9.G), (slika 9.H).
8. Konektorje priključite na sponke (slika 8.I).
9. Pritrđite polnilno postajo (slika 10.L) na tla s pritrđilnimi vijaki (slika 10.M).
10. Ponovno namestite pokrov (slika 10.C).
11. Napajalnik povežite s polnilno postajo in privijte konektor.
12. Vtiaka napajalnika priključite na vtičnico.
13. Preverite: ko robotska kosilnica ni prisotna na polnilni postaji, mora kontrolna lučka na polnilni postaji (slika 10.N) svetiti brez utripanja (glejte pogl. 3.3).

2.4. POLNJENJE ROBOTSKE KOSILNICE PO NAMESTITVI

Ob prvem polnjenju morajo akumulatorji ostati priključeni na napajanje vsaj 2 uri.

2.5. NASTAVITVE IZDELKA

Avtomatsko delovanje robotske kosilnice zahteva vrsto nastavitve, ki jih je mogoče izvesti prek mobilne naprave (pametnega telefona) iOS ali Android z nameščeno aplikacijo "STIGA GO".

OPOMBA: Za podrobnejši opis razpoložljivih funkcij glejte celotni priročnik z navodili.

3. DELOVANJE

3.1. ROČNO DELOVANJE ROBOTSKE KOSILNICE

Robotsko kosilnico lahko uporabljate, ne da bi izvedli opisano programiranje (glejte odst. 2.5). V tem načinu robotska kosilnica izvede delovni cikel, se vrne na polnilno postajo in ostane tam do naslednjega ročnega zagona.

1. Robotsko kosilnico postavite na polnilno postajo ali v vsakem primeru znotraj območja, ki ga razmejuje obodna žica.
2. Pritisnite na gumb "STOP" (slika 1.A), da se odpre pokrov (slika 1.B) komandne konzole (slika 1.C).
3. Pritisnite gumb "ON/OFF" (slika 1.E) za 5 sekunde, da vklopite robotsko kosilnico.
4. Pritiskajte gumb "IZBIRA NAČINA" (slika 1.F), dokler ne bo utripala samo ikona (slika 1.L).
5. Pritisnite gumb "POTRDI" (slika 1.G). Ikona (slika 1.L) se zasveti s stalno svetlobo za potrditev opravila.
6. Zaprite pokrov (slika 1.B). Robotska kosilnica bo začela delovati.

OPOMBA: Ta način morda ne bo zagotovil ustrezne košnje celotnega vrta, tako glede potrebnega časa kot glede enakomerne pokošenosti, zlasti če ima vrt nepravilno obliko. Da bi dosegli največjo učinkovitost robotske kosilnice, je priporočljivo izvesti programiranje (glejte odst. 2.5).

3.2. OPIS KOMAND NA ROBOTSKI KOSILNICI

Seznam komand, kazalnikov in njihove funkcije:

- Gumb "STOP" (slika 1.A): uporablja se za varno ustavitve robotske kosilnice.
- "VARNOSTNI KLJUČ" (slika 1.D): uporablja se za varen izklop robotske kosilnice.
- Gumb "ON/OFF" (slika 1.E): uporablja se za vklop in izklop robotske kosilnice ter za ponastavitev alarmov.

- Gumb "IZBIRA NAČINA" (slika 1.F): uporablja se za izbiro načina delovanja robotske kosilnice in za prisilno vrnitev na polnilno postajo.
- Gumb "POTRDI" (slika 1.G): uporablja se za potrditev nastavljenega načina delovanja.
- Svetleča ikona "PREDVIDENI PROGRAM" (slika 1.I): uporablja se za ogled nastavitve predvidenega programa.
- Svetleča ikona "POSAMEZNI DELOVNI CIKEL" (slika 1.L): uporablja se za ogled nastavitve posameznega delovnega cikla.
- Svetleča ikona "VRNITEV NA POSTAJO" (slika 1.H): uporablja se za ogled nastavitve prisilne vrnitve robotske kosilnice na polnilno postajo.
- Gumb "BLUETOOTH" (slika 1.M): uporablja ga izključno servisni center za diagnostične postopke.
- Svetleča ikona "ALARM" (slika 1.N): uporablja se za ogled alarmnih stanj.
- Svetleča ikona "AKUMULATOR" (slika 1.O): uporablja se za ogled napolnjenosti akumulatorja.

OPOMBA: Za podrobnejši opis zgoraj navedenih komand glejte celotni priročnik z navodili.

3.3. DELOVANJE POLNILNE POSTAJE

Polnilna postaja je opremljena z indikatorsko lučko (slika 10.N) s spodaj opisanimi pomeni:

- Ugasnjena lučka: polnilna postaja ni napajana ali pa je nanjo priključen robot.
- Lučka sveti s stalno svetlobo: obodna žica je pravilno priključena na polnilno postajo in obodni signal je pravilno oddajan.
- Počasi utripajoča lučka: obodna žica ni priključena ali pa je povezava prekinjena.
- Hitro utripajoča lučka: obodna žica je prekratka ali pa je prišlo do okvare na polnilni postaji.

3.4. POLNJENJE AKUMULATORJA

Postopek "POLNJENJE AKUMULATORJA" omogoča polnjenje robotske kosilnice v ročnem načinu.

1. Robotsko kosilnico namestite na polnilno postajo (slika 11.R).
2. Potisnite robotsko kosilnico na polnilni postaji tako, da se bo priključil konektor za polnjenje (slika 11.S).
3. Pritisnite na gumb "STOP" (slika 11.A), da se odpre pokrov (slika 11.B) komandne konzole (slika 11.C).
4. Vključite robotsko kosilnico z gumbom "ON/OFF" (slika 11.E).
5. Svetleča ikona "AKUMULATOR" (slika 11.L) utripa; robotska kosilnica se polni.
6. Zaprite pokrov (slika 11.B).
7. Robotsko kosilnico pustite polniti vsaj toliko časa, kot je navedeno v odst. 2.4.

OPOMBA: Polnjenje akumulatorja pred zimskim uskladičenjem je treba opraviti v skladu z navodili v odst. 4.3.

3.5. NASTAVITEV VIŠINE KOŠNJE

PLATFORMA TYPE SRSW01 - ROČNA NASTAVITEV

1. Varno ugasnite robotsko kosilnico (glejte odst. 1.4).
2. Z regulatorjem višine (slika 12.P) izberite zaželeno višino košnje, tako da pokošena trava ne bo presegala 10 mm.

OPOMBA: Dolžina tistega dela trave, ki ga kosilnica pokosi, ne sme presegati 10 mm.

PLATFORMATYPE SRBW01 - ELEKTRIČNA NASTAVITEV

Za nastavev višine košnje sledite vodenemu postopku v APLIKACIJI.

Sistem za nastavev višine rezila zahteva začetno umerjanje in nato periodična umerjanja, ki se izvajajo samodejno. Umerjanje lahko opravite tudi ročno v namenskem meniju v aplikaciji.



OPOZORILO:

Med prilagajanjem višine košnje se ne dotikajte rezalne naprave.

OPOMBA: Dolžina tistega dela trave, ki ga kosilnica pokosi, ne sme presegati 10 mm.

4. VZDRŽEVANJE



OPOZORILO:

Uporabljajte samo originalne nadomestne dele.



OPOZORILO:

Nameščenih varnostnih naprav ne spreminjajte, ne predelajte, ne zaobidite in ne odstranjujte.



OPOZORILO:

Nevarnost ureza rok. Uporabite zaščitne rokavice, da preprečite nevarnost ureza rok.



OPOZORILO:

Nevarnost izmeta drobcov v oči. Uporabite zaščitna očala, da preprečite nevarnost izmeta drobcov v oči.



POZOR:

Pretirana uporaba vode lahko povzroči prodiranje v notranjost in poškodovanje električnih komponent.



PREPOVED:

Ne uporabljajte curkov vode pod pritiskom.



PREPOVED:

Robotske kosilnice ne potopite v vodo niti v celoti niti delno, da ne povzročite nepopravljivih poškodb električnih in elektronskih komponent.



PREPOVED:

Notranjih delov robotske kosilnice ne umivajte, da ne poškodujete električnih in elektronskih komponent.



PREPOVED:

Ne uporabljajte topil ali bencina, da ne poškodujete pobarvanih površin in plastičnih delov.

4.1. PROGRAMIRANO VZDRŽEVANJE

Za boljše delovanje in daljšo življenjsko dobo izdelek redno čistite in zamenjajte obrabljene dele.

Opravlja izvajajte s pogostnostjo, ki je navedena v tabeli.

POGOSTNOST	KOMPONENTE	VRSTA POSEGA
Tedensko	Rezilo	Očistite in preverite učinkovitost rezila. (Glejte odst. 4.2) Če je rezilo zaradi udara upognjeno ali obrabljeno, ga zamenjajte. (Glejte odst. 4.2)
	Kontakti za polnjenje	Očistite in odstranite morebitno oksidacijsko plast (Glejte celotni priročnik z navodili)
Mesečno	Robotska kosilnica	Opravite čiščenje. (Glejte celotni priročnik z navodili)
	Polnilna postaja in napajalni kablji	Kontrolirajte obrabljeno ali morebitne poškodbe in po potrebi zamenjajte. (Glejte celotni priročnik z navodili)
Na koncu sezone košnje ali vsakih šest mesecev, če se robotska kosilnica ne uporablja	Akumulator	Izvedite polnjenje akumulatorja pred shranjevanjem. (Glejte odst. 4.3)
Letno ali ob koncu sezone košnje	Robotska kosilnica	Opravite servis v pooblaščenem centru tehnične pomoči. (Glejte odst. 4.1)

Vsako leto je treba v pooblaščenem centru tehnične pomoči opraviti servis, da se robotska kosilnica ohrani v dobrem stanju.

OPOMBA: Morebitne okvare zaradi neizpolnitve letnega servisa ne bodo priznane v garanciji.

4.2. ZAMENJAVA REZIL

1. Varno ugasnite robotsko kosilnico (glejte odst. 1.4).
2. Obrnite robotsko kosilnico na glavo in pazite, da ne poškodujete prosto gibljivega pokrova.
3. Odvijte pritrdilne vijake (slika 14.E).
4. Zamenjajte rezila (slika 14.D).
5. Privijte pritrdilne vijake (slika 14.E).

4.3. ZIMSKO VZDRŽEVANJE AKUMULATORJA IN SKLADIŠČENJE

1. Napolnite akumulator v skladu z vodenim postopkom v aplikaciji, ki je dostopen na strani "Nastavitve".
2. Očistite robotsko kosilnico (glejte celotni priročnik z navodili).
3. Shranite robotsko kosilnico na suhem mestu in na varnem pred zmrzaljo ter se prepričajte, da je ugasnjena.

OPOMBA: Za podrobnejše informacije o postopku zimskega polnjenja akumulatorja glejte celotni priročnik z navodili.

OPOMBA: Za veljavnost garancije za akumulator je treba zabeležiti polnjenje s postopkom v aplikaciji.

4.4. ZAMENJAVA AKUMULATORJA

Zamenjavo akumulatorja sme opraviti izključno **SERVISNO OSEBJE PODJETJA STIGA**.

Če je treba akumulator zamenjati, se obrnite na servisni center ali na svojega prodajalca.

5. PREVOZ, SKLADIŠČENJE IN ODSTRANJEVANJE 5.3. ODSTRANITEV

5.1. PREVOZ

OPOMBA: Za transport na velike razdalje je priporočljiva uporaba originalne embalaže.

1. Varno ugasnite robotsko kosilnico (glejte odst. 1.4).
2. Očistite robotsko kosilnico (glejte celotni priročnik z navodili).
3. Dvignite robotsko kosilnico za ročaj (slika 15.D) in pri nošenju pazite, da bo rezilo daleč od telesa.

5.2. SKLADIŠČENJE

Robotsko kosilnico morate uskladiščiti v vodoravnem položaju, na suhem mestu, zaščitenem pred zmrzaljo, potem ko ste jo očistili in opravili zimsko polnjenje akumulatorja (glejte pogl. 4). Med dolgimi obdobji nedejavnosti odklopite polnilno postajo od električnega omrežja.

6. ODPRAVLJANJE TEŽAV



OPOZORILO:

Ustavite robotsko kosilnico in vzpostavite varne pogoje (glejte odst. 1.4).

Spodaj je seznam morebitnih nepravilnosti, ki se lahko pojavijo med delovanjem.

MOTNJA	VZROKI	REŠITVE
Neobičajne vibracije. Robotska kosilnica je hrupna.	Poškodba rezalnega diska ali rezil	Zamenjajte poškodovane komponente (glejte odst. 4.2).
	Rezalna naprava je blokirana z ostanki (trakovi, vrvmi, kosi plastike itd.)	Varno ugasnite robotsko kosilnico (glejte odst. 1.4). Sprostite rezilo.
	Robotska kosilnica je bila zagnana ob prisotnosti nepričakovanih ovir (padlih vej, pozabljenih predmetov itd.)	Varno ugasnite robotsko kosilnico (glejte odst. 1.4). Odstranite ovire in znova zaženite robotsko kosilnico.
	Okvara elektromotorja.	Zamenjajte motor, obrnite se na najbližji pooblaščen servis.
	Previsoka trava.	Zvišajte višino košnje (glejte odst. 3.5). Z običajno kosilnico opravite predhodno košnjo trate.
Robotska kosilnica se v polnilni postaji ne postavi v pravilni položaj.	Napačen položaj obodne žice.	Preverite povezavo polnilne postaje (glejte odst. 2.3.2).
	Ugreznitev terena v bližini polnilne postaje.	Obnovite pravilno postavitve polnilne postaje (Glejte odst. 2.3.2).
Robotska kosilnica se obnaša neustrezno v bližini ovir, razmejenih z obodno žico.	Obodna žica je nepravilno nameščena.	Namestite obodno žico na pravilen način (v smeri urnega kazalca) (glejte odst. 2.3.1).
Lučka polnilne postaje se ne prižge, ko je robot ločen od polnilne postaje.	Ni električnega napajanja ali pa je prišlo do napake na polnilni postaji.	Preverite, ali je napajalnik pravilno priključen na električno vtičnico. Preverite, ali je priključni kabel napajalnika nepoškodovan.
Lučka polnilne postaje se prižge s počasnim utripanjem	Obodna žica ni priključena ali pa je povezava prekinjena	Preverite namestitev in popravite okvaro (glejte odst. 2.3)
Lučka polnilne postaje se prižge s hitrim utripanjem	Obodna žica je prekratka ali pa je prišlo do napake na polnilni postaji.	Preverite, ali je dolžina obodne žice večja od navedene v odst. 2.3.2. Če težava ni odpravljena, se obrnite na servisni center.
Na tipkovnici je prižgana opozorilna ikona	Označuje stanje nepravilnosti/okvare.	Za več informacij glejte aplikacijo ali celotni priročnik z navodili.



OPOZORILO:

Za odstranitev akumulatorja iz robotske kosilnice se obrnite na pooblaščen servisni center.

1. Embalažo izdelka je treba odstraniti na trajnosten način: v za to določenih zbiralnikih ali v pooblaščenih zbirnih centrih.
2. Odstranite robotsko kosilnico v skladu z lokalnimi zakonskimi predpisi.
3. Obrnite se na ustrezne ustanove za recikliranje in odstranjevanje, saj je robotska kosilnica uvrščena med OEEO (odpadno električno in elektronsko opremo).
4. Stare ali iztrošene akumulatorje je treba odstraniti na trajnosten način: v za to določenih zbiralnikih ali v pooblaščenih zbirnih centrih.

7. TEHNIČNI PODATKI

TEHNIČNE SPECIFIKACIJE	TIP: SRSW01 (glejte etiketo izdelka)	TIP: SRBW01 (glejte etiketo izdelka)
Dimenzije (ŠxVxG)	413 x 252 x 560 [mm]	529 x 299 x 695 [mm]
Teža robotske kosilnice	Odvisno od modela: 7,9 [kg] – 8,2 [kg] (*) (negotovost +/-0,1 [kg])	Odvisno od modela: 12,8 [kg] – 13,5 [kg] (*) (negotovost +/-0,1 [kg])
Višina košnje (Min–Max)	20–60 [mm]	20–65 [mm]
Premer rezila	180 [mm]	260 [mm]
Hitrost košnje	2850+/-50 [rpm]	2400+/-50 [rpm]
Hitrost premikanja	22 [m/min]	Odvisno od modela: 24 [m/min]; 28 [m/min] (*)
Maksimalni naklon	45%	50%
Maksimalni naklon vzdolž oboda		20%
Sistem košnje	4 vrtljiva rezila	6 vrtljiva rezila
Koda rezalne naprave		322104105/0
Izmerjena raven zvočne moči	57 [dB] (A)	56 [dB] (A)
Negotovost glede emisij hrupa, KWA	1,47 [dB] (A)	0,56 [dB] (A)
Zajamčena raven zvočne moči	59 [dB] (A)	57 [dB] (A)
Raven zvočnega tlaka na ušesu upravljavca	46,3 [dB] (A)	45,2 [dB] (A)
Klasifikacija IP robotske kosilnice		IPX5
Klasifikacija IP polnilne postaje		IPX1
Klasifikacija IP napajalnika		IP67
Delovna temperatura okolja robotske kosilnice [°C]		0–50
Delovna temperatura okolja polnilne postaje [°C]		-10–50
Delovna temperatura okolja napajalnika [°C]		-10–50
Delovna zmogljivost	Odvisno od modela (*)	Odvisno od modela (*)
Napajanje	Vhod: 100–240 VAC, 1,2 A; izhod: 30 VDC, 2 A Uporabite eno od spodaj navedenih originalnih kod ali poznejših posodobitev (posvetujte se s pooblaščenim prodajalcem STIGA) 118204158/0 (UE) 118204161/0 (UK) 118204163/0 (CH)	Vhod: 200–240 VAC, 0,8 A; izhod: 30 VDC, 4 A Uporabite eno od spodaj navedenih originalnih kod ali poznejših posodobitev (posvetujte se s pooblaščenim prodajalcem STIGA) 118204159/0 (UE) 118204162/0 (UK) 118204164/0 (CH)
Dovoljeni so kabelski podaljški 30 VDC	Uporabite eno od spodaj navedenih originalnih kod ali poznejših posodobitev (posvetujte se s pooblaščenim prodajalcem STIGA) Koda: 1127-0010-01, dolžina 5 m Koda: 1127-0020-01, dolžina 15 m	
Model akumulatorja	Odvisno od modela: 25,2V - 2Ah; 25,2V - 2,5Ah; 25,2V - 5Ah; 25,2V - 6Ah (*)	Odvisno od modela: 25,2V – 5Ah; 25,2V – 6Ah; 25,2V – 2x5Ah; 25,2V – 2x6Ah (*)
Čas polnjenja	Odvisno od modela: 60 [min]; 80 [min]; 150 [min] (*)	Odvisno od modela: 150 [min]; 180 [min] (*)
Delovni čas	Odvisno od modela: 60 [min]; 90 [min]; 150 [min] (*)	270 [min]
Povezljivost	Bluetooth®	Bluetooth®, 4G, 3G, GSM
Navigacijska tehnologija		GNSS

(*) Za dodatne informacije o posameznem modelu glejte kompletni priročnik, ki je na voljo na spletu (glejte kodo QR na prvi strani te knjižice).

Полный текст руководства доступен:

- ▷ на веб-сайте stiga.com
- ▷ в приложении STIGA GO, доступном в App Store и Google Play
- ▷ методом сканирования QR-кода



ПРИМЕЧАНИЕ: указания, приведенные в настоящем руководстве, действительны для всех автономных моделей робота-газонокосилки с периметровым ограничителем. Если не указано иное, рисунки относятся к платформе SRSW01.

ПРИМЕЧАНИЕ: данное руководство содержит основные инструкции, в основном относящиеся к технике безопасности. Для правильной установки необходимо внимательно прочитать и соблюдать все положения руководства по эксплуатации (см. выше).

- c. Периодически проводите визуальный осмотр ножей, болтов ножей и режущего инструмента, чтобы убедиться, что они не изношены и не повреждены. Заменяйте изношенные или поврежденные ножи и болты попарно, чтобы сохранить балансировку машины.
- d. По периметру рабочей зоны машины должны быть размещены предупреждающие знаки, если она используется в общественных или открытых для публики местах. Знаки должны содержать следующую информацию: «Внимание! Автоматическая газонокосилка! Не приближайтесь к машине! Следите за детьми!»

1.1.1. ПРИНЦИП РАБОТЫ

Общие сведения

- a. Не используйте машину с неисправными ограждениями или отсутствующими предохранительными устройствами, например, без защиты.
- b. Не приближайте руки и ноги к вращающимся частям и не помещайте их под ними. Всегда держитесь на расстоянии от разгрузочного отверстия.
- c. Не прикасайтесь к подвижным узлам машины, пока они полностью не остановятся.
- d. Во время работы машины всегда надевайте прочную обувь и длинные брюки.
- e. Никогда не поднимайте и не транспортируйте машину с включенным двигателем.
- f. Снимайте отключающее устройство:
 - Перед устранением засора;
 - До того, как приступить к проверке, чистке или обслуживанию машины;
 - Чтобы проверить машину на наличие повреждений после удара о посторонний предмет;
 - Чтобы осмотреть машину на наличие повреждений перед повторным запуском, если машина начинает аномально вибрировать.
- g. Не оставляйте работающую машину без

1. БЕЗОПАСНОСТЬ

ОБЯЗАТЕЛЬНОЕ УСЛОВИЕ:

Внимательно прочитайте настоящее руководство перед использованием машины и сохраните его на будущее.

1.1. БЕЗОПАСНЫЕ МЕТОДЫ ЭКСПЛУАТАЦИИ

Обучение

- a. Внимательно прочтите указания, ознакомьтесь с управлением и правильным использованием машины.
- b. Никогда не позволяйте детям, людям с ограниченными физическими, сенсорными или умственными способностями, а также людям, не имеющим опыта и знаний, либо не ознакомившимся с настоящим руководством, использовать машину. Местные нормативные требования могут ограничивать возраст оператора.
- c. Оператор или пользователь несет ответственность за несчастные случаи или опасные ситуации, в которых оказываются вовлечены третьи лица или чужое оборудование.

Подготовка

- a. Убедитесь, что автоматическое ограждение по периметру установлено правильно, согласно указаниям данного руководства.
- b. Периодически осматривайте рабочую зону машины и удаляйте камни, палки, кабели и другие посторонние предметы, которые могут помешать работе.

присмотра в присутствии домашних животных, детей или других людей.

Техобслуживание и хранение

- Плотно затяните все гайки, болты и винты для безопасной работы машины.
- Часто проверяйте робот-газонокосилку на предмет износа или ухудшения состояния.
- В целях безопасности необходимо заменять изношенные или поврежденные детали.
- Убедитесь, что ножи заменяются исключительно на подходящие запчасти.
- Убедитесь, что аккумуляторные батареи заряжаются с помощью подходящего зарядного устройства, рекомендованного изготовителем. Неправильное использование может вызвать электрические удары, перегрев или утечку едкой жидкости из аккумуляторной батареи.
- В случае утечки электролита промойте водой/нейтрализующим средством и обратитесь за медицинской помощью в случае его попадания в глаза.
- Техническое обслуживание машины должно проводиться в соответствии с указаниями изготовителя.

Остаточные риски

- Несмотря на то, что изделие соответствует всем требованиям безопасности, могут возникнуть дополнительные риски из-за неправильной установки и/или непредвиденных обстоятельств.

Поэтому в пределах рабочей зоны изделия не должно быть предметов, людей и животных, а также необходимо предупредить о возможной опасности всех лиц, которые могут иметь доступ в рабочую зону, даже иногда.

- При грозе с риском попадания молнии и вообще в преддверии плохих погодных условий рекомендуется не использовать изделие и отключить периметровый ограничитель от зарядной станции, а также все периферийные устройства от электросети. Для того чтобы использовать изделие, снова подключите периметровый ограничитель и периферийные устройства к электросети в соответствии с указаниями, приведенными в руководстве.

1.2. ОПИСАНИЕ ИЗДЕЛИЯ

Робот-газонокосилка предназначен для стрижки травы на участках газона, границы которых очерчены периметровым ограничителем.

В основе принципа его работы лежит хаотичное перемещение. Робот-газонокосилка меняет траекторию, когда обнаруживает на своем пути периметровый ограничитель или препятствие.

Любое другое использование может стать источником опасности и причинить ущерб людям и/или имуществу. Входят в понятие неправильного использования (в качестве примера, но не ограничиваясь этими случаями): перевозка на машине взрослых людей, детей или животных; использование машины для собственного перемещения; использование машины для буксировки или подталкивания грузов; использование машины для стрижки нетравянистых растений.

Платформа TYPE: Модель SRBW01 оснащена модулем 3G/4G с SIM-картой и модулем GNSS, которые позволяют дистанционно управлять роботом-газонокосилкой и функциями поддержки при перемещении.

1.3. СИМВОЛЫ И ЯРЛЫКИ



ВНИМАНИЕ:

Прежде чем включить изделие, ознакомьтесь с руководством пользователя.



ВНИМАНИЕ:

Опасность отбрасывания предметов в человека.

Во время работы держитесь на безопасном расстоянии от машины.



ВНИМАНИЕ:

Не вставляйте руки или ноги в выемку для режущего инструмента.

Снимите отключающее устройство перед обслуживанием машины или перед ее подъемом.



ВНИМАНИЕ:

Не вставляйте руки или ноги в выемку для режущего инструмента.

Не залезайте на машину.



ЗАПРЕТ:

Убедитесь, что во время работы машины в рабочей зоне нет людей (особенно детей, пожилых людей или инвалидов) и домашних животных.

Когда машина работает, дети, домашние животные и посторонние должны находиться на безопасном расстоянии.



ЗАПРЕТ:

Не используйте очистители высокого давления для очистки или мойки машины.



Устройство с классом изоляции III, питание от аккумулятора (робот-газонокосилка) или от специального блока питания (зарядная станция и опорная станция).



Используйте оригинальный блок питания с характеристиками, указанными на заводской табличке.



Символ источника питания постоянного тока.

IPXX

Степень защиты от проникновения твердых частиц и воды.



Отходы электрического и электронного оборудования, которые должны быть доставлены в специальный пункт сбора для переработки и утилизации.



Гарантируемый уровень звуковой мощности

1.4. БЕЗОПАСНАЯ ОСТАНОВКА И ВЫКЛЮЧЕНИЕ РОБОТА-ГАЗОНОКОСИЛКИ



ОБЯЗАТЕЛЬНОЕ УСЛОВИЕ:

Всегда выключайте робот-газонокосилку в условиях безопасности перед любой операцией по очистке, транспортировке или техническому обслуживанию.

1. Нажмите кнопку "STOP" (Рис. 1.A), чтобы безопасно остановить робот-газонокосилку, и откройте защитную крышку (Рис. 1.B).
2. Нажмите на кнопку выключения (Рис. 1.E) на несколько секунд и дождитесь, пока светодиодный индикатор на кнопке погаснет.
3. Только после того, как светодиодный индикатор погаснет (Рис. 1.E), извлеките ключ безопасности (Рис. 1.D), чтобы выключить робот-газонокосилку в условиях безопасности.
4. Робот-газонокосилка останавливается или выключается в условиях безопасности.

2. УСТАНОВКА



ВНИМАНИЕ:

Не модифицируйте, не повреждайте, не удаляйте и не отключайте установленные защитные устройства.

ПРИМЕЧАНИЕ: Для получения дополнительных разъяснений по установке изделия свяжитесь с дилером STIGA.

КОМПЛЕКТУЮЩИЕ ДЛЯ УСТАНОВКИ (Рис. 2)

(А) Зарядная станция, (В) Блок питания, (С) Периметровый ограничитель, (D) Крепежные гвозди для периметрового ограничителя, (Е) Крепежные винты для зарядной станции, (F) Соединитель для периметрового ограничителя, (G) Разъемы для зарядной станции.

2.1. ПРОВЕРКА СООТВЕТСТВИЯ ТРЕБОВАНИЯМ ДЛЯ УСТАНОВКИ

2.1.1. ПРОВЕРКА ГАЗОНА:

- Проверьте состояние газона, как описано в главе 1.
- Выворачивайте почву, чтобы во время дождя не образовывались лужи.

2.1.2. ПРОВЕРКИ ПЕРЕД УСТАНОВКОЙ ЗАРЯДНОЙ СТАНЦИИ И БЛОКА ПИТАНИЯ:



ЭЛЕКТРИЧЕСКАЯ ОПАСНОСТЬ:

Необходимо обеспечить розетку, соответствующую действующему законодательству страны эксплуатации изделия.



ЭЛЕКТРИЧЕСКАЯ ОПАСНОСТЬ:

Поставляемая цепь должна быть защищена дифференциальным выключателем (УЗО) с током срабатывания не выше 30 мА.



ЭЛЕКТРИЧЕСКАЯ ОПАСНОСТЬ:

Не подключайте блок питания к розетке, если вилка или кабель повреждены.
Не подключайте и не прикасайтесь к поврежденному кабелю, пока он не будет отключен от источника питания.
Поврежденный кабель может привести к соприкосновению с частями, находящимися под напряжением.

1. Обеспечьте ровную площадку на краю газона для размещения зарядной станции.
2. Убедитесь, что расстояние от станции до ближайшего изгиба составляет не менее 200 см.



ВНИМАНИЕ:

Кабель питания, блок питания, удлинитель и любые другие электрические кабели, не имеющие отношения к изделию, должны оставаться за пределами зоны стрижки, во избежание их соприкосновения с опасными движущимися частями и повреждения кабелей, что может привести к контакту с частями, находящимися под напряжением.

3. Подготовьте место для установки блока питания, чтобы ни при каких погодных условиях он не оказался погруженным в воду. Рекомендуется устанавливать блок питания в закрытом помещении, защищенном от атмосферного воздействия и недоступном для посторонних лиц.

2.1.3. ОСНОВНЫЕ ПРОВЕРКИ ПЕРЕД УСТАНОВКОЙ ПЕРИМЕТРОВОГО ОГРАНИЧИТЕЛЯ:

1. Убедитесь, что максимальный уклон рабочей зоны меньше или равен 45% или 50%, в зависимости от модели (см. Пункт 7 ТЕХНИЧЕСКИЕ ХАРАКТЕРИСТИКИ), и соблюдайте правила, показанные на Рис. 3.



ВНИМАНИЕ:

Робот может косить траву на участках с максимальным уклоном 45% или 50%, в зависимости от модели. В случае несоблюдения предписаний робот может скользить и выйти за пределы рабочей зоны.



ВНИМАНИЕ:

Зоны газона, в которых превышает допустимый уклон, не могут обрабатываться роботом. Поместите периметровый ограничитель до уклона, и исключите из зоны стрижки этот участок газона.

2. Проверьте состояние всей рабочей зоны: оцените препятствия и участки, которые необходимо исключить из рабочей зоны, очерченной периметровым ограничителем.

2.2. КРИТЕРИИ УСТАНОВКИ ПЕРИМЕТРОВОГО ОГРАНИЧИТЕЛЯ

Ниже приведены критерии установки периметрового ограничителя. Более подробная информация содержится в полном тексте руководства.

МИНИМАЛЬНОЕ РАССТОЯНИЕ		
ЭЛЕМЕНТ КОНСТРУКЦИИ	МИНИМАЛЬНОЕ РАССТОЯНИЕ УСТАНОВКИ КАБЕЛЯ ПО ОТНОШЕНИЮ К ЭЛЕМЕНТУ КОНСТРУКЦИИ	
	ТИП	SRSW01
Тротуар или дорожка на одном уровне с газоном	5 см	5 см
Ров, стена или парапет	35 см	45 см
Живая изгородь или растение с выступающими корнями	30 см	40 см
Бассейн, не огороженный пруд, не огороженная дорога общего пользования	90 см	100 см
Бассейн или дорога в конце спуска	150 см	150 см

СПОСОБЫ ОБХОДА ПРЕПЯТСТВИЙ		
ПРОХОД МЕЖДУ ДВУМЯ УЧАСТКАМИ ПЕРИМЕТРОВОГО ОГРАНИЧИТЕЛЯ		
ТИП		
SRSW01	SRBW01	
X ≥ 70 см (Рис. 4)	X ≥ 90 см (Рис. 4)	Можно задать границы препятствия, наложив друг на друга участки ограничителя, проложенные в прямом и обратном направлении без их пересечения.
X < 70 см (Рис. 5)	X < 90 см (Рис. 5)	Можно задать границы препятствия, проложив участки ограничителя в прямом и обратном направлении на расстоянии не менее Y = 30 см друг от друга. Если препятствие достаточно прочное, его можно оставить без защиты.

ПРОХОДЫ МЕЖДУ РАЗЛИЧНЫМИ УЧАСТКАМИ САДА		
ШИРИНА КОРИДОРА Z		
ТИП		
SRSW01	SRBW01	
Z ≥ 70 см (Рис. 6)	Z ≥ 90 см (Рис. 6)	Зона (Рис. 6.А) доступна для робота-газонокосилки.
Z < 70 см (Рис. 6)	Z < 90 см (Рис. 6)	Зона (Рис. 6.А) не доступна для робота-газонокосилки и считается "Закрытой зоной".



ПРЕДУПРЕЖДЕНИЕ:

Рабочая зона и в целом зоны, по которым может перемещаться робот-газонокосилка, должны быть обнесены ограждением, предотвращающим доступ.

Обеспечьте надлежащее ограждение или следите за роботом-газонокосилкой во время работы.

2.3. УСТАНОВКА КОМПЛЕКТУЮЩИХ



ЭЛЕКТРИЧЕСКАЯ ОПАСНОСТЬ:

Используйте исключительно зарядное устройство и блок питания, поставленные изготовителем. Использование неподходящего оборудования может привести к поражению электрическим током и/или перегреву.



ПРЕДУПРЕЖДЕНИЕ:

Опасность порезов рук.

Используйте защитные перчатки, чтобы не порезать руки.



ПРЕДУПРЕЖДЕНИЕ:

Опасность попадания пыли в глаза.

Используйте защитные очки, чтобы пыль не попала в глаза.



ЭЛЕКТРИЧЕСКАЯ ОПАСНОСТЬ:

Подключайте изделие к источнику питания только по завершении всех операций по установке. При необходимости во время установки отключите общее питание.

2.3.1. УСТАНОВКА ПЕРИМЕТРОВОГО ОГРАНИЧИТЕЛЯ

РАЗМЕЩЕНИЕ С ПОМОЩЬЮ КОЛЫШКОВ

1. Разместите периметровый ограничитель, начиная с зоны установки зарядной станции.
2. Проложите ограничитель по всему маршруту, закрепив его колышками (Рис. 7.В) с шагом около 100 см и соблюдая указанные требования к установке (См. пункт 2.2).
3. Оставьте лишний отрезок ограничителя в 2 м, чтобы впоследствии обрезать его до нужного размера на заключительном этапе подключения.
4. На изгибах расположите ограничитель так, чтобы радиус изгиба составлял около 20 см (Рис. 7.А).

ОБЩАЯ ДЛИНА ПЕРИМЕТРОВОГО ОГРАНИЧИТЕЛЯ	КАБЕЛИ STIGA, СОВМЕСТИМЫЕ С УСТАНОВКОЙ	
	Код	Катушка
< 400 м	Код 1127-0000-01	Катушка 150 м, Ø 2,7 мм
	Код 1127-0001-01	Катушка 300 м, Ø 2,7 мм
	Код 1127-0002-01	Катушка 500 м, Ø 3,4 мм
	Код 1127-0003-01	Катушка 1000 м, Ø 3,4 мм
≥ 400 м до макс. 1000 м	Код 1127-0002-01	Катушка 500 м, Ø 3,4 мм
	Код 1127-0003-01	Катушка 1000 м, Ø 3,4 мм

**ВНИМАНИЕ:**

Убедитесь, что ограничитель соприкасается с землей по всей длине маршрута, чтобы робот-газонокосилка не повредила его.

ПРИМЕЧАНИЕ: Периметровый ограничитель, используемый для установки, должен иметь длину не менее 40 м. Если его длина меньше, то необходимо установить резистор код 122063053/0. См. полное руководство по эксплуатации.

2.3.2. УСТАНОВКА ЗАРЯДНОЙ СТАНЦИИ

Установите зарядную станцию соосно с периметровым ограничителем, чтобы робот мог получить доступ к станции, перемещаясь вдоль периметрового ограничителя по часовой стрелке.

1. Проверьте соответствие требованиям к установке, как указано в пункте 2.2.
2. При необходимости подготовьте почву так, чтобы поверхность зарядной станции находилась на одном уровне с газоном. Почва должна быть идеально ровной и плотной, чтобы избежать деформации поверхности зарядной станции.
3. Снимите крышку (Рис. 8.С).
4. Установите зарядную станцию соосно с периметровым ограничителем (Рис. 8.D2), чтобы робот мог получить доступ к станции, перемещаясь вдоль периметрового ограничителя по часовой стрелке.
5. Вставьте два конца ограничителя в отверстия (Рис. 8.E2).
6. Обрежьте концы кабеля до нужного размера.
7. Установите самосверлящие соединители на кабель (Рис. 9.F), (Рис. 9.G), (Рис. 9.H).
8. Подключите соединители к клеммам (Рис. 8.I).
9. Прикрепите зарядную станцию (Рис. 10.L) к грунту с помощью крепежных винтов (Рис. 10.M).
10. вновь установите крышку (Рис. 10.C).
11. Подключите блок питания к зарядной станции и прикрутите разъем.
12. Подключите вилку блока питания к розетке.
13. Убедитесь, что, когда робот-газонокосилка не находится на зарядной станции, индикатор на зарядной станции (Рис. 10.N) горит непрерывно (см. главу 3.3).

2.4. ЗАРЯДКА РОБОТА-ГАЗОНОКОСИЛКИ ПОСЛЕ УСТАНОВКИ

Аккумуляторные батареи при первой зарядке должны заряжаться не менее 2 часов.

2.5. НАСТРОЙКИ ИЗДЕЛИЯ

Работа робота-газонокосилки в автоматическом режиме требует задать ряд параметров, что можно осуществить с мобильного устройства (смартфона) iOS или Android с установленным приложением «STIGA GO».

ПРИМЕЧАНИЕ: Более подробное описание доступных функций содержится в полном тексте руководства.

3. ПРИНЦИП РАБОТЫ

3.1. РАБОТА РОБОТА-ГАЗОНОКОСИЛКИ В РУЧНОМ РЕЖИМЕ

Робота-газонокосилку можно использовать без выполнения описанного программирования (См. Пункт 2.5). В этом режиме робот-газонокосилка выполняет рабочий цикл, возвращается на зарядную станцию и остается там до следующего ручного запуска.

1. Разместите робот-газонокосилку на зарядной станции или, в любом случае, внутри периметра установки.
2. Нажмите кнопку «STOP» (Рис. 1.A), чтобы открыть крышку (Рис. 1.B) и получить доступ к консоли управления (Рис. 1.C).
3. Держите нажатой кнопку «ON/OFF» (Рис. 1.E) в течение 5 секунд, чтобы включить робот-газонокосилку.
4. Держите нажатой кнопку «ВЫБОР РЕЖИМА» (Рис. 1.F) до тех пор, пока не будет мигать только индикатор (Рис. 1.L).
5. Нажмите кнопку «ПОДТВЕРДИТЬ» (Рис. 1.G). Индикатор (Рис. 1.L) загорится красным светом в знак подтверждения операции.
6. Закройте крышку (Рис. 1.B). Робот-газонокосилка приступит к работе.

ПРИМЕЧАНИЕ: Этот режим может не гарантировать надлежащего покрытия площади газона как с точки зрения времени, так и с точки зрения однородного результата стрижки, особенно если сад имеет неправильную форму. Для извлечения максимальной пользы из робота-газонокосилки рекомендуется выполнить программирование (См. пункт 2.5).

3.2. ОПИСАНИЕ ОРГАНОВ УПРАВЛЕНИЯ РОБОТА-ГАЗОНОКОСИЛКИ

Список органов управления, индикаторов и их функций:

- Кнопка «STOP» (Рис. 1.A): используется для безопасного останова робота-газонокосилки.
- «КЛЮЧ БЕЗОПАСНОСТИ» (Рис. 1.D): используется для безопасного выключения робота-газонокосилки.
- Кнопка «ON/OFF» (Рис. 1.E): используется для включения и выключения робота-газонокосилки и для сброса аварийных сигналов.
- Кнопка «ВЫБОР РЕЖИМА» (Рис. 1.F): она нужна для выбора режима работы робота-газонокосилки и для его принудительного возврата на зарядную станцию.
- Кнопка «ПОДТВЕРДИТЬ» (Рис. 1.G): она нужна для подтверждения заданного режима работы.
- Световой индикатор «ЗАПРОГРАММИРОВАННАЯ ПРОГРАММА» (Рис. 1.I): он нужен для отображения параметров запрограммированной программы.
- Световой индикатор «ОДИНОЧНЫЙ РАБОЧИЙ ЦИКЛ» (Рис. 1.L): он нужен для отображения параметров одиночного рабочего цикла.
- Световой индикатор «ВОЗВРАТ НА СТАНЦИЮ» (Рис. 1.H): он используется для отображения параметров принудительного возврата робота-газонокосилки на зарядную станцию.
- Кнопка «BLUETOOTH» (Рис. 1.M): используется только сервисным центром для выполнения диагностики.
- Световой индикатор «АВАРИЯ» (Рис. 1.N): он используется для отображения аварийных состояний.
- Световой индикатор «БАТАРЕЯ» (Рис. 1.O): он используется для отображения состояния заряда батареи.

ПРИМЕЧАНИЕ: Более подробное описание вышеуказанных органов управления содержится в полном тексте руководства.

3.3. ПРИНЦИП РАБОТЫ ЗАРЯДНОЙ СТАНЦИИ

Зарядная станция оснащена световым индикатором (Рис. 10.N), который загорается, как приведено ниже:

- Индикатор не горит: зарядная станция отключена от источника питания или робот находится на станции.
- Индикатор горит непрерывно: периметровый ограничитель правильно подключен к зарядной станции и сигнал периметра передается правильно.

- Индикатор медленно мигает: периметровый ограничитель не подключен или оборван.
- Индикатор быстро мигает: периметровый ограничитель слишком короткий или зарядная станция неисправна.

3.4. ЗАРЯДКА БАТАРЕИ

Процедура “ЗАРЯДКА БАТАРЕИ” позволяет вручную заряжать робот-газонокосилку.

1. Разместите робот-газонокосилку на зарядной станции (Рис. 11.Р).
2. Поместите робот-газонокосилку на зарядную станцию, пока не защелкнется разъем для зарядки (Рис. 11.С).
3. Нажмите кнопку “STOP” (Рис. 11.А), чтобы открыть крышку (Рис. 11.В) и получить доступ к консоли управления (Рис. 11.С).
4. Включите робот-газонокосилку с помощью кнопки “ON/OFF” (Рис. 11.Е).
5. Световой индикатор “БАТАРЕЯ” (Рис. 11.Л) мигает, робот-газонокосилка заряжается.
6. Закройте крышку (Рис. 11.В).
7. Оставьте робот-газонокосилку заряжаться, по крайней мере, на время, указанное в пункте 2.4.

ПРИМЕЧАНИЕ: Зарядку аккумуляторной батареи перед зимним хранением необходимо выполнять, как указано в Пункте 4.3.

3.5. РЕГУЛИРОВКА ВЫСОТЫ СТРИЖКИ

ПЛАТФОРМА ТИПА SRSW01 - РУЧНАЯ РЕГУЛИРОВКА

1. Выключите робот-газонокосилку и приведите его в безопасное состояние (см. пункт 1.4).
2. С помощью регулятора высоты (Рис. 12.Р) выберите желаемую высоту стрижки, чтобы длина срезаемой травы не превышала 10 мм.

ПРИМЕЧАНИЕ: Длина срезаемой роботом-газонокосилкой части травы не должна превышать 10 мм.

ПЛАТФОРМА ТИПА SRBW01 - С ЭЛЕКТРИЧЕСКОЙ РЕГУЛИРОВКОЙ

Для выполнения регулировки высоты стрижки следуйте пошаговой процедуре в приложении.

Система регулировки высоты ножа требует первоначальной калибровки и периодических калибровок, которые выполняются автоматически. Калибровку также можно выполнить вручную через специальное меню в приложении.



ПРЕДУПРЕЖДЕНИЕ:
Не прикасайтесь к режущему инструменту во время регулировки высоты стрижки.

ПРИМЕЧАНИЕ: Длина срезаемой роботом-газонокосилкой части травы не должна превышать 10 мм.

4. ТЕХНИЧЕСКОЕ ОБСЛУЖИВАНИЕ



ПРЕДУПРЕЖДЕНИЕ:
Используйте только оригинальные запчасти.



ПРЕДУПРЕЖДЕНИЕ:
Не модифицируйте, не повреждайте, не удаляйте и не отключайте установленные защитные устройства.



ПРЕДУПРЕЖДЕНИЕ:
Опасность порезов рук.
Используйте защитные перчатки, чтобы не порезать руки.



ПРЕДУПРЕЖДЕНИЕ:
Опасность попадания пыли в глаза.
Используйте защитные очки, чтобы пыль не попала в глаза.



ВНИМАНИЕ:
Избыточное количество воды может привести к проникновению воды, с повреждением электрических частей.



ЗАПРЕТ:
Не используйте струи воды под давлением.



ЗАПРЕТ:
Чтобы не повредить необратимым образом электрические и электронные компоненты, нельзя погружать робот-газонокосилку полностью или частично в воду.



ЗАПРЕТ:
Чтобы не повредить электрические и электронные компоненты, не мойте внутренние части робота-газонокосилки.



ЗАПРЕТ:
Чтобы не повредить окрашенные поверхности и пластиковые компоненты, не используйте растворители или бензин.

4.1. ПЛАНОВОЕ ТЕХНИЧЕСКОЕ ОБСЛУЖИВАНИЕ

Для повышения эффективности работы и увеличения срока службы не забывайте регулярно чистить изделие и заменять изношенные детали.

Выполняйте обслуживание с периодичностью, указанной в таблице.

ЧАСТОТА	КОМПОНЕНТ	ТИП ОПЕРАЦИИ
Еженедельно	Нож	Очистка и проверка эффективности ножа. (см. пункт 4.2) Если нож погнулся от удара или сильно изношен, замените его. (см. пункт 4.2)
	Контакты зарядной станции	Очистите и устранили следы окисления. (См. полное руководство)
Ежемесячно	Робот-газонокосилка	Проведите очистку. (См. полное руководство)
	Зарядная станция и кабели питания	Проверьте наличие признаков износа и при необходимости замените их. (См. полное руководство)
По окончании сезона или раз в шесть месяцев, если робот-газонокосилка не используется	Батарея	Зарядите батарею перед хранением. (см. пункт 4.3)
Раз в год или по окончании сезона	Робот-газонокосилка	Пройдите техосмотр в авторизованном сервисном центре. (см. пункт 4.1)

Для поддержания роботагазонокосилки в рабочем состоянии необходимо ежегодно проходить техосмотр в авторизованном сервисном центре.

ПРИМЕЧАНИЕ: гарантия не распространяется на любые неисправности, вызванные отсутствием прохождения ежегодного техосмотра.

5. ТРАНСПОРТИРОВКА, ХРАНЕНИЕ И УТИЛИЗАЦИЯ

5.1. ТРАНСПОРТИРОВКА

ПРИМЕЧАНИЕ: Рекомендуется использовать оригинальную упаковку для транспортировки на большие расстояния.

1. Выключите робот-газонокосилку и приведите его в безопасное состояние (см. пункт 1.4).
2. Очистите робот-газонокосилку (См. полное руководство).
3. Поднимите робот-газонокосилку за специальную ручку (Рис. 15.D) и перенесите его, следя за тем, чтобы режущий инструмент находился как можно дальше от тела.

5.2. ХРАНЕНИЕ

После очистки и подготовки аккумуляторной батареи к зиме необходимо хранить робот-газонокосилку в горизонтальном положении в сухом месте, где он не будет подвержен морозу (см. Гл. 4). Во время длительных простоев отключайте зарядную станцию от электросети.

5.3. УТИЛИЗАЦИЯ



ПРЕДУПРЕЖДЕНИЕ:

Для того чтобы извлечь аккумуляторную батарею из робота-газонокосилки, обратитесь в авторизованный сервисный центр.

1. Утилизируйте упаковку изделия экологически безопасным способом, используя специальные контейнеры или сдав ее в центр сбора отходов.
2. Утилизируйте робот-газонокосилку в соответствии с требованиями местного законодательства.
3. Сдайте оборудование в центр переработки и утилизации, так как робот-газонокосилка классифицируется как ОЭЭО (отходы электрического и электронного оборудования).
4. Утилизируйте старые или отработанные батареи экологически безопасным способом, используя специальные контейнеры или сдав их в центр сбора отходов.

4.2. ЗАМЕНА РЕЖУЩЕГО ИНСТРУМЕНТА

1. Выключите робот-газонокосилку и приведите его в безопасное состояние (см. пункт 1.4).
2. Переверните робот-газонокосилку вверх дном, стараясь не повредить плавающую крышку.
3. Отвинтите крепежные винты (Рис. 14.E).
4. Замените ножи (Рис. 14.D).
5. Затяните крепежные винты (Рис. 14.E).

4.3. ПОДГОТОВКА БАТАРЕИ К ЗИМЕ И ХРАНЕНИЕ

1. Зарядите аккумулятор согласно пошаговой процедуре, приведенной в Приложении, на странице «Настройки».
2. Очистите робот-газонокосилку (См. полное руководство).
3. Храните робот-газонокосилку в сухом месте, где он не будет подвержен морозу, и удостоверьтесь, что он выключен.

ПРИМЕЧАНИЕ: Подробное описание процедуры зарядки для подготовки к зиме изложено в полном тексте руководства.

ПРИМЕЧАНИЕ: Для того, чтобы гарантия на аккумуляторную батарею оставалась в силе, требуется регистрация процедуры зарядки через приложение.

4.4. ЗАМЕНА АККУМУЛЯТОРНОЙ БАТАРЕИ

Замену батареи может выполнять исключительно ПЕРСОНАЛ СЛУЖБЫ ТЕХНИЧЕСКОЙ ПОДДЕРЖКИ STIGA.

Если необходимо заменить аккумуляторную батарею, обращайтесь в сервисный центр или к вашему дилеру.

6. УСТРАНЕНИЕ НЕИСПРАВНОСТЕЙ



ПРЕДУПРЕЖДЕНИЕ:

Выключите робот-газонокосилку и приведите его в безопасное состояние (См. Пункт 1.4).

Ниже приведен список неполадок, которые могут возникнуть во время работы.

НЕПОЛАДКА	ПРИЧИНЫ	УСТРАНЕНИЕ
Аномальная вибрация. Робот-газонокосилка работает шумно.	Диск или ножи повреждены	Замените поврежденные комплектующие (См. Пункт 4.2).
	Режущий инструмент застревает из-за наличия отходов работы (ленты, веревки, куски пластмассы и т.д.)	Выключите робот-газонокосилку и приведите его в безопасное состояние (См. Пункт 1.4). Разблокируйте нож.
	Запуск робота-газонокосилки произошел при наличии не предусмотренных препятствий (упавшие ветки, забытые предметы и т.д.).	Выключите робот-газонокосилку и приведите его в безопасное состояние (См. Пункт 1.4). Устраните препятствия и снова запустите робот-газонокосилку.
	Электрический двигатель в состоянии аварии.	Замените двигатель, обратитесь в ближайший авторизованный сервисный центр.
Робот-газонокосилка не устанавливается правильно внутри зарядной станции.	Трава слишком высокая.	Увеличьте высоту стрижки (См. Пункт 3.5). Выполнить предварительную стрижку в зоне с нормальной газонокосилкой.
	Неправильное положение периметрового ограничителя.	Проверьте подключение зарядной станции (См. Пункт 2.3.2).
	Оседание земли рядом с зарядной станцией.	Восстановите правильное положение зарядной станции. (см. пункт 2.3.2).

НЕПОЛАДКА	ПРИЧИНЫ	УСТРАНЕНИЕ
Робот-газонокосилка ведет себя anomalно при обходе препятствий по периметру.	Периметровый ограничитель проложен неправильно.	Проложите периметровый ограничитель правильно (по часовой стрелке) (См. Пункт 2.3.1).
Индикатор зарядной станции не загорается, когда робот находится вне зарядной станции.	Отсутствует электроснабжение или зарядная станция неисправна.	Проверьте правильное соединение с розеткой блока питания. Проверьте целостность соединительного кабеля блока питания.
Индикатор зарядной станции загорается и медленно мигает	Периметровый ограничитель не подключен или оборван	Проверьте установку и устраните разрыв (См. Пункт 2.3)
Индикатор зарядной станции загорается и быстро мигает	Периметровый ограничитель слишком короткий или зарядная станция неисправна.	Проверьте, что длина периметрового ограничителя превышает указанную в пункте 2.2.3. Если проблема не решилась, обратитесь в сервисный центр.
На клавиатуре загорелся индикатор Warning	Он указывает на anomalию/неполадку.	Дополнительную информацию можно узнать из приложения или из полного текста руководства.

7. ТЕХНИЧЕСКИЕ ДАННЫЕ

ТЕХНИЧЕСКИЕ ХАРАКТЕРИСТИКИ	ТИП: SRSW01 (см. этикетку изделия)	ТИП: SRBW01 (см. этикетку изделия)
Габариты (ШхВхГ)	413 x 252 x 560 [мм]	529 x 299 x 695 [мм]
Вес робота-газонокосилки	В зависимости от модели: 7,9 [кг] - 8,2 [кг] (*) (Погрешность +/-0,1 [кг])	В зависимости от модели: 12,8 [кг] - 13,5 [кг] (*) (Погрешность +/-0,1 [кг])
Высота стрижки (мин-макс)	20-60 [мм]	20-65 [мм]
Диаметр ножа	180 [мм]	260 [мм]
Скорость стрижки	2850 +/- 50 [об/мин]	2400 +/- 50 [об/мин]
Скорость движения	22 [м/мин]	В зависимости от модели: 24 [м/мин]; 28 [м/мин] (*)
Максимальный уклон	45%	50%
Максимальный уклон по периметру		20%
Тип режущего инструмента	4 плавающих ножей	6 плавающих ножей
Код режущего инструмента		322104105/0
Измеренный уровень звуковой мощности	57 [дБ] (A)	56 [дБ] (A)
Погрешность измерения уровня шума, KWA	1,47 [дБ] (A)	0,56 [дБ] (A)
Гарантируемый уровень звуковой мощности	59 [дБ] (A)	57 [дБ] (A)
Уровень звукового давления на уши оператора	46,3 [дБ] (A)	45,2 [дБ] (A)
Степень защиты IP робота-газонокосилки		IPX5
Степень защиты IP зарядной станции		IPX1
Степень защиты IP блока питания		IP67
Рабочая температура окружающей среды робота-газонокосилки [°C]		0 ± 50
Рабочая температура окружающей среды зарядной станции [°C]		-10 ± 50
Рабочая температура окружающей среды блока питания [°C]		-10 ± 50
Площадь покоса	Зависит от модели (*)	Зависит от модели (*)
Питание	Вход: 100-240 В переменного тока, 1,2 А; Выход: 30 В постоянного тока, 2 А Используйте один из приведенных ниже оригинальных кодов или последующие обновления (обращайтесь к официальному дилеру STIGA) 118204158/0 (ЕС) 118204161/0 (ВЕЛИКОБРИТАНИЯ) 118204163/0 (ШВЕЙЦАРИЯ)	Вход: 200-240 В переменного тока, 0,8 А; Выход: 30 В постоянного тока, 4 А Используйте один из приведенных ниже оригинальных кодов или последующие обновления (обращайтесь к официальному дилеру STIGA) 118204159/0 (ЕС) 118204162/0 (ВЕЛИКОБРИТАНИЯ) 118204164/0 (ШВЕЙЦАРИЯ)
Допускается использование кабелей-удлинителей с напряжением 30 В постоянного тока	Используйте один из приведенных ниже оригинальных кодов или последующие обновления (обращайтесь к официальному дилеру STIGA) Код: 1127-0010-01, длина 5 м Код: 1127-0020-01, длина 15 м	
Модель аккумуляторной батареи	В зависимости от модели: 25,2 В - 2 Ач; 25,2 В - 2,5 Ач; 25,2 В - 5 Ач; 25,2 В - 6 Ач (*)	В зависимости от модели: 25,2 В - 5 Ач; 25,2 В - 6 Ач; 25,2 В - 2x5 Ач; 25,2 В - 2x6 Ач (*)
Время зарядки	В зависимости от модели: 60 [мин]; 80 [мин]; 150 [мин] (*)	В зависимости от модели: 150 [мин]; 180 [мин] (*)
Время работы	В зависимости от модели: 60 [мин]; 90 [мин]; 150 [мин] (*)	270 [мин]
Подключение	Bluetooth®	Bluetooth®, 4G, 3G, GSM
Навигационные технологии		GNSS

(*) Для получения более подробной информации по конкретной модели ознакомьтесь с полным текстом руководства, доступным в Интернете (см. QR-код на первой странице данной инструкции).

DICHIARAZIONE CE DI CONFORMITÀ (Istruzioni Originali)
(Direttiva Macchine 2006/42/CE, Allegato II, parte A)

1. La Società: ST. S.p.A. – Via del Lavoro, 6 – 31033 Castelfranco Veneto (TV) – Italy
2. Dichiaro sotto la propria responsabilità, che la macchina:

Robot rasaerba

a) Tipo / Modello Base:	SRSW01
c) Numero di Serie:	22A**RMO000001 ÷ 99L**RMO999999
d) Motore:	a batteria

3. È conforme alle specifiche delle direttive:

- MD: 2006/42/EC
- EMCD: 2014/30/EU
- RoHS II: 2011/65/EU - 2015/863/EU
- RED: 2014/53/EU

4. Riferimento alle norme armonizzate e/o a norme tecniche:

EN 60335-1:2012 / AC:2014 / A11:2014 / A13:2017 /
A1:2019 / A2:2019 / A14:2019
EN 50636-2-107:2015 / A1:2018 / A2:2020 / A3:2021
ETSI EN 300 328 V2.2.2
ETSI EN 301 489-1 (V1.9.2)
ETSI EN 301 489-1 V2.2.3
ETSI EN 301 489-17 V3.2.4
ETSI EN 301 489-19 V2.1.1
ETSI EN 301 489-52 V1.1.2
ETSI EN 301 908-1 V15.1.1
ETSI EN 301 908-13 V13.1.1
ETSI EN 303 413 V1.1.1

EN 61000-3-2:2014
EN IEC 61000-3-2:2019 / A1:2021
EN 61000-3-3:2013 / A1:2019
EN 55014-1:2017 / A11:2020
EN IEC 55014-1:2021
EN 55014-2:1997 / A1:2001 / A2:2008 / AC:1997
EN IEC 55014-2:2021
EN 62233:2008
EN 62311:2008

i) Ampiezza di taglio: 18 cm

n) Persona autorizzata a costituire il Fascicolo
Tecnico:

ST. S.p.A.
Via del Lavoro, 6
31033 Castelfranco Veneto (TV) - Italia

o) Castelfranco Veneto, 10/02/2024

CEO Stiga Group
Sean Robinson



UK DECLARATION OF CONFORMITY

(Supply of Machinery (Safety) Regulations 2008, S.I. 2008 No. 1597, Annex II, part A)

1. The company: ST. S.p.A. – Via del Lavoro, 6 – 31033 Castelfranco Veneto (TV) – Italy

2. Hereby declares under its own responsibility that the machine:

Robotic lawnmower

a) Homologation type:	SRSW01
c) Serial number:	22A••RMO000001 ÷ 99L••RMO999999
d) Engine:	battery-operated

3. Conforms to UK Regulations:

- S.I. 2008/1597 - Supply of Machinery (Safety) Regulations 2008
- S.I. 2016/1091 - Electromagnetic Compatibility Regulations 2016
- S.I. 2012/3032 - The Restriction of the Use of Certain Hazardous Substances in Electrical and Electronic Equipment Regulations 2012
- S.I. 2017/1206 - Radio Equipment Regulations 2017

4. Reference to harmonised standards and/or to technical standards:

EN 60335-1:2012 / AC:2014 / A11:2014 / A13:2017 /
A1:2019 / A2:2019 / A14:2019

EN 50636-2-107:2015 / A1:2018 / A2:2020 / A3:2021

ETSI EN 300 328 V2.2.2

ETSI EN 301 489-1 (V1.9.2)

ETSI EN 301 489-1 V2.2.3

ETSI EN 301 489-17 V3.2.4

ETSI EN 301 489-19 V2.1.1

ETSI EN 301 489-52 V1.1.2

ETSI EN 301 908-1 V15.1.1

ETSI EN 301 908-13 V13.1.1

ETSI EN 303 413 V1.1.1

EN 61000-3-2:2014

EN IEC 61000-3-2:2019 / A1:2021

EN 61000-3-3:2013 / A1:2019

EN 55014-1:2017 / A11:2020

EN IEC 55014-1:2021

EN 55014-2:1997 / A1:2001 / A2:2008 / AC:1997

EN IEC 55014-2:2021

EN 62233:2008

EN 62311:2008

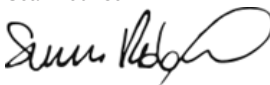
i) Cutting width: 18 cm

n) Person authorised to compile the technical file: ST. S.p.A.
Via del Lavoro, 6
31033 Castelfranco Veneto (TV) - Italia

o) Castelfranco Veneto, 10/02/2024

CEO Stiga Group

Sean Robinson



UK Importer: STIGA LTD
Unit 8, Bluewater Estate Plympton,
Devon, PL7 4JH, England



DICHIARAZIONE CE DI CONFORMITÀ (Istruzioni Originali)
(Direttiva Macchine 2006/42/CE, Allegato II, parte A)

1. La Società: ST. S.p.A. – Via del Lavoro, 6 – 31033 Castelfranco Veneto (TV) – Italy

2. Dichiaro sotto la propria responsabilità, che la macchina:

Robot rasaerba

a) Tipo / Modello Base:	SRBW01
c) Numero di Serie:	23A••RMO000001 ÷ 99L••RMO999999
d) Motore:	a batteria

3. È conforme alle specifiche delle direttive:

- MD: 2006/42/EC
- EMCD: 2014/30/EU
- RoHS II: 2011/65/EU - 2015/863/EU
- RED: 2014/53/EU

4. Riferimento alle norme armonizzate e/o a norme tecniche::

EN 60335-1:2012 / AC:2014 / A11:2014 / A13:2017 /
A1:2019 / A2:2019 / A14:2019
EN 50636-2-107:2015 / A1:2018 / A2:2020 / A3:2021
ETSI EN 300 328 V2.2.2
ETSI EN 301 489-1 (V1.9.2)
ETSI EN 301 489-1 V2.2.3
ETSI EN 301 489-17 V3.2.4
ETSI EN 301 489-19 V2.1.1
ETSI EN 301 489-52 V1.1.2
ETSI EN 301 908-1 V15.1.1
ETSI EN 301 908-13 V13.1.1
ETSI EN 303 413 V1.1.1

EN 61000-3-2:2014
EN IEC 61000-3-2:2019 / A1:2021
EN 61000-3-3:2013 / A1:2019
EN 55014-1:2017 / A11:2020
EN IEC 55014-1:2021
EN 55014-2:1997 / A1:2001 / A2:2008 / AC:1997
EN IEC 55014-2:2021
EN 62233:2008
EN 62311:2008

i) Ampiezza di taglio: 26 cm

n) Persona autorizzata a costituire il Fascicolo
Tecnico:

ST. S.p.A.
Via del Lavoro, 6
31033 Castelfranco Veneto (TV) - Italia

o) Castelfranco Veneto, 10/02/2024

CEO Stiga Group
Sean Robinson



UK DECLARATION OF CONFORMITY

(Supply of Machinery (Safety) Regulations 2008, S.I. 2008 No. 1597, Annex II, part A)

1. The company: ST. S.p.A. – Via del Lavoro, 6 – 31033 Castelfranco Veneto (TV) – Italy
2. Hereby declares under its own responsibility that the machine:

Robotic lawnmower

a) Homologation type:	SRBW01
c) Serial number:	23A••RMO000001 ÷ 99L••RMO999999
d) Engine:	battery-operated

3. Conforms to UK Regulations:

- S.I. 2008/1597 - Supply of Machinery (Safety) Regulations 2008
- S.I. 2016/1091 - Electromagnetic Compatibility Regulations 2016
- S.I. 2012/3032 - The Restriction of the Use of Certain Hazardous Substances in Electrical and Electronic Equipment Regulations 2012
- S.I. 2017/1206 - Radio Equipment Regulations 2017

4. Reference to harmonised standards and/or to technical standards:

EN 60335-1:2012 / AC:2014 / A11:2014 / A13:2017 /
A1:2019 / A2:2019 / A14:2019
EN 50636-2-107:2015 / A1:2018 / A2:2020 / A3:2021
ETSI EN 300 328 V2.2.2
ETSI EN 301 489-1 (V1.9.2)
ETSI EN 301 489-1 V2.2.3
ETSI EN 301 489-17 V3.2.4
ETSI EN 301 489-19 V2.1.1
ETSI EN 301 489-52 V1.1.2
ETSI EN 301 908-1 V15.1.1
ETSI EN 301 908-13 V13.1.1
ETSI EN 303 413 V1.1.1

EN 61000-3-2:2014
EN IEC 61000-3-2:2019 / A1:2021
EN 61000-3-3:2013 / A1:2019
EN 55014-1:2017 / A11:2020
EN IEC 55014-1:2021
EN 55014-2:1997 / A1:2001 / A2:2008 / AC:1997
EN IEC 55014-2:2021
EN 62233:2008
EN 62311:2008

- | | |
|---|--|
| i) Cutting width: | 26 cm |
| n) Person authorised to compile the technical file: | ST. S.p.A.
Via del Lavoro, 6
31033 Castelfranco Veneto (TV) - Italia |
| o) Castelfranco Veneto, 10/02/2024 | CEO Stiga Group
Sean Robinson |



UK Importer: STIGA LTD
Unit 8, Bluewater Estate Plympton,
Devon, PL7 4JH, England



<p>FR (Traduction de la notice originale)</p> <p>Déclaration CE de Conformité (Directive Machines 2006/42/CE, Annexe II, partie A)</p> <p>1. La Société</p> <p>2. Déclare sous sa propre responsabilité que la machine : Robot-tondeuse</p> <p>a) Type / Modèle de Base c) Série d) Moteur: batterie</p> <p>3. Est conforme aux prescriptions des directives :</p> <p>4. Renvoi aux Normes harmonisées et/ou à des normes techniques</p> <p>i) Largeur de coupe n) Personne habilitée à établir le Dossier Technique : o) Lieu et Date</p>	<p>DE (Übersetzung der Originalbetriebsanleitung)</p> <p>EG-Konformitätserklärung (Maschinenrichtlinie 2006/42/EG, Anhang II, Teil A)</p> <p>1. Die Gesellschaft</p> <p>2. Erklärt auf eigene Verantwortung, dass die Maschine: Mähroboter</p> <p>a) Typ / Basismodell c) Seriennummer d) Motor: Batterie</p> <p>3. Den Anforderungen der folgenden Richtlinien entspricht: 4. Bezugnahme auf die harmonisierten Normen und/oder technische Normen</p> <p>i) Schnittbreite</p> <p>n) Zur Verfassung der technischen Unterlagen befugte Person: o) Ort und Datum</p>	<p>NL (Vertaling van de oorspronkelijke gebruiksaanwijzing)</p> <p>EG-verklaring van overeenstemming (Richtlijn Machines 2006/42/CE, Bijlage II, deel A)</p> <p>1. Het bedrijf</p> <p>2. Verklaart onder zijn eigen verantwoordelijkheid dat de machine: Robotmaaier</p> <p>a) Type / Basismodel c) Serienummer d) Motor: accu</p> <p>3. Voldoet aan de specificaties van de richtlijnen: 4. Verwijzing naar de Geharmoniseerde normen en/of technische normen</p> <p>i) Snijbreedte</p> <p>n) Bevoegd persoon voor het opstellen van het Technisch Dossier o) Plaats en Datum</p>
<p>ES (Traducción del Manual Original)</p> <p>Declaración de Conformidad CE (Directiva Máquinas 2006/42/CE, Anexo II, parte A)</p> <p>1. La Empresa</p> <p>2. Declara bajo su propia responsabilidad que la máquina: Robot cortacésped</p> <p>a) Tipo / Modelo Base c) Matrícula d) Motor: batería</p> <p>3. Cumple con las especificaciones de las directivas:</p> <p>4. Referencia a las Normas armonizadas y/o normas técnicas</p> <p>i) Amplitud de corte n) Persona autorizada a realizar el Manual Técnico: o) Lugar y Fecha</p>	<p>PT (Tradução do manual original)</p> <p>Declaração CE de Conformidade (Diretiva de Máquinas 2006/42/CE, Anexo II, parte A)</p> <p>1. A Empresa</p> <p>2. Declara sob a própria responsabilidade que a máquina: Robot corta-relva</p> <p>a) Tipo / Modelo Base c) Matrícula d) Moto: Bateria</p> <p>3. É conforme às especificações das diretivas:</p> <p>4. Referência às Normas harmonizadas e/ou normas técnicas</p> <p>i) Amplitude de corte</p> <p>n) Pessoa autorizada a elaborar o Caderno Técnico o) Local e Data</p>	<p>NO (Oversettelse av original bruksanvisning)</p> <p>EF- Samsvarserklæring (Maskindirektiv 2006/42/EF, Vedlegg II, del A)</p> <p>1. Firmaet</p> <p>2. Erklærer på eget ansvar at maskinen: Robotgressklipper</p> <p>a) Type / Modell c) Serienummer d) Motor: batteri</p> <p>3. Oppfyller kravene i direktivene: 4. Henvising til harmoniserte standarder og/eller tekniske standarder</p> <p>i) Klippebredde</p> <p>n) Person som har fullmakt til å utferdige teknisk dokumentasjon: o) Sted og dato</p>
<p>SV (Översättning av bruksanvisning i original)</p> <p>EG-försäkran om överensstämmelse (Maskindirektiv 2006/42/EG, bilaga II, de la)</p> <p>1. Företaget</p> <p>2. Försäkrar på eget ansvar att maskinen: Gräsklipprobot</p> <p>a) Typ / Basmodell c) Serienummer d) Motor: batteri</p> <p>3. Överensstämmer med föreskrifterna i direktivet</p> <p>4. Referens till harmoniserade standarder och/eller tekniska standarder</p> <p>i) Skärbredd</p> <p>n) Auktoriserad person för upprättandet av den tekniska dokumentationen: o) Ort och datum</p>	<p>DA (Oversættelse af den originale brugsanvisning)</p> <p>EF-overensstemmelseserklæring (Maskindirektiv 2006/42/EF, bilag II, del A)</p> <p>1. Firmaet</p> <p>2. Erklærer på eget ansvar, at maskinen: Robotplæneklipper</p> <p>a) Type / Model c) Serienummer d) Motor: batteri</p> <p>3. Er i overensstemmelse med specifikationerne ifølge direktiverne: 4. Henvielse til harmoniserede standarder og/eller tekniske standarder</p> <p>i) Klippebredde</p> <p>n) Person, der har bemyndigelse til at udarbejde det tekniske dossier: o) Sted og dato</p>	<p>FI (Alkuperäisten ohjeiden kaännös)</p> <p>EY-VAATIMUSTENMUKAISUUSVAKUUTUS (Konedirektiivi 2006/42/EY, Liite II, osa A)</p> <p>1. Yritys</p> <p>2. Vakuuttaa omalla vastuullaan, että kone: Robottiruohonleikkuri</p> <p>a) Tyyppi / Perusmalli c) Sarjanumero d) Moottori : akku</p> <p>3. On yhdenmukainen seuraavien direktiivien asettamien vaatimusten kanssa: 4. Viittaus harmonisoiituihin standardeihin ja/tai tekniisiin standardeihin</p> <p>i) Leikkuuleveys</p> <p>n) Teknisten asiakirjojen laatimiseen valtuutettu henkilö: o) Paikka ja päivämäärä</p>

<p>SL (Prevod izvirnih navodil)</p> <p>ES izjava o skladnosti (Direktiva 2006/42/ES), priloga II, del A)</p> <ol style="list-style-type: none"> 1. Družba 2. pod lastno odgovornostjo izjavlja, da je stroj: Robotska kosilnica <ol style="list-style-type: none"> a) Tip / osnovni model c) Serijska številka d) Motor: baterija <ol style="list-style-type: none"> 3. Skladen je z določili direktiv : 4. Sklicevanje na usklajene predpise in/ali tehnične standarde <p>i) Obseg košnje</p> <p>n) Oseba, pooblaščenca za sestavo tehnične knjižice:</p> <p>o) Kraj in datum</p>	<p>LT (Originalių instrukcijų vertimas)</p> <p>EB atitikties deklaracija (Mašinų direktyva 2006/42/CE, Priedas II, dalis A)</p> <ol style="list-style-type: none"> 1. Bendrovė 2. Prisiima atsakomybę, kad įrenginys: Žolės pjovimo robotas <ol style="list-style-type: none"> a) Tipas / Bazinis Modelis c) Serijos numeris d) Variklis: baterija <ol style="list-style-type: none"> 3. Atitinka direktyvose pateiktas specifikacijas: 4. Nuoroda į suderintas Normas ir (arba) techninius normas <p>i) Pjovimo plotis</p> <p>n) Autorizuotas asmuo sudaryti Techninę Dokumentaciją:</p> <p>o) Vieta ir Data</p>	<p>LV (Instrukciju tulkojums no oriģinālvalodas)</p> <p>EK atbilstības deklarācija (Direktīva 2006/42/EK par mašinām, pielikums II, daļa A)</p> <ol style="list-style-type: none"> 1. Uzņēmums 2. Uzņemoties par to pilnu atbildību, paziņo, ka mašīna: Robotizēta pļaujmašīna <ol style="list-style-type: none"> a) Tips / Bāzes modelis c) Sērijas numurs d) Motors: akumulators <ol style="list-style-type: none"> 3. Atbilst šādu direktīvu prasībām: 4. Atsaucē uz harmonizētiem standartiem un/vai tehniskajiem standartiem <p>i) Pļaušanas platums</p> <p>n) Pilnvarotais darbinieks, kas sagatavoja tehnisko dokumentāciju:</p> <p>o) Vieta un datums</p>
<p>CS (Překlad původního návodu k používání)</p> <p>ES – Prohlášení o shodě (Směrnice o Strojních zařízeních 2006/42/ES, Příloha II, část A)</p> <ol style="list-style-type: none"> 1. Společnost 2. Prohlašuje na vlastní odpovědnost, že stroj: Robotická sekačka <ol style="list-style-type: none"> a) Typ / Základní model c) Výrobní číslo d) Motor: akumulátor <ol style="list-style-type: none"> 3. Je ve shodě s nařízenímí směrnice: 4. Odkazy na Harmonizované normy a/nebo technické normy <p>i) Šířka řezání</p> <p>n) Osoba autorizovaná pro vytvoření Technického spisu:</p> <p>o) Místo a Datum</p>	<p>PL (Tłumaczenie instrukcji oryginalnej)</p> <p>Deklaracja zgodności WE (Dyrektywa maszynowa 2006/42/WE, Załącznik II, część A)</p> <ol style="list-style-type: none"> 1. Spółka 2. Oświadczam na własną odpowiedzialność, że maszyna: Kosiarka trawnikowa <ol style="list-style-type: none"> a) Typ / Model podstawowy c) Numer seryjny d) Silnik: akumulator <ol style="list-style-type: none"> 3. Spełnia podstawowe wymogi następujących Dyrektyw: 4. Odniesienie do Norm zharmonizowanych i/lub norm technicznych <p>i) Szerokość cięcia</p> <p>n) Osoba upoważniona do zredagowania Dokumentacji technicznej:</p> <p>o) Miejsowość i data</p>	<p>ET (Algupārāse kasutusjuhendi tõlge)</p> <p>EÜ vastavusdeklaratsioon (Masinadirektiiv 2006/42/EÜ, Lisa II, osa A)</p> <ol style="list-style-type: none"> 1. Firma 2. Kinnitab omal vastutusel, et masin: Robotniiduk <ol style="list-style-type: none"> a) Tüüp / Põhimudel c) Mootor: aku d) Motor: aku <ol style="list-style-type: none"> 3. Vastab direktiivide nõuetele: 4. Viide ühtlustatud standarditele ja/või tehnilistele standarditele <p>i) Lõikelaius</p> <p>n) Tehnilise Lehe autoriseeritud koostaja:</p> <p>o) Koht ja Kuupäev</p>
<p>HU (Eredeti használati utasítás fordítása)</p> <p>EK-megfelelőségi nyilatkozata (2006/42/EK gépirányelv, II. melléklet "A" rész)</p> <ol style="list-style-type: none"> 1. Alulírott Vállalat 2. Felelőségének teljes tudatában kijelenti, hogy az alábbi gép: Robotfűnyíró <ol style="list-style-type: none"> a) Típus / Alaptípus c) Gyártási szám d) Motor: akkumulátor <ol style="list-style-type: none"> 3. Megfelel az alábbi irányelvek előírásainak: 4. Hivatkozás a harmonizált szabványokra és/vagy műszaki szabványokra <p>i) Vágási szélesség</p> <p>n) Műszaki Dosszié szerkesztésére felhatalmazott személy:</p> <p>o) Helye és ideje</p>	<p>RU (Перевод оригинальных инструкций)</p> <p>Декларация соответствия нормам ЕС (Директива о машинном оборудовании 2006/42/ЕС, Приложение II, часть А)</p> <ol style="list-style-type: none"> 1. Предприятие 2. Заявляет под собственную ответственность, что машина: Робот-газонокосилка <ol style="list-style-type: none"> a) Тип / Базовая модель c) Паспорт d) Двигатель: батарея сгорания <ol style="list-style-type: none"> 3. Соответствует требованиям следующих директив: 4. Ссылки на гармонизированные нормы и/или технические стандарты <p>i) Амплитуда кошения</p> <p>n) Лицо, уполномоченное на подготовку технической документации:</p> <p>o) Место и дата</p>	<p>HR (Prijevod originalnih uputa)</p> <p>EK Izjava o sukladnosti (Direktiva 2006/42/EZ o strojevima, dodatak II, dio A)</p> <ol style="list-style-type: none"> 1. Tvrtka: 2. pod vlastitom odgovornošću izjavljuje da je stroj: Robotska kosilica <ol style="list-style-type: none"> a) Vrsta / Osnovni model c) Matični broj d) Motor: baterija <ol style="list-style-type: none"> 3. sukladan s temeljnim zahtjevima direktiva: 4. Primijenjene su sljedeće harmonizirane norme i/ili tehnički norme: <p>i) Širina rezanja</p> <p>n) Osoba ovlaštena za pravljenje Tehničke datoteke:</p> <p>o) Mjesto i datum</p>

STIGA

STIGA LTD (UK Importer)

Unit 8, Bluewater Estate Plympton,
Devon, PL7 4JH, England

STIGA S.p.A.

Via del lavoro, 6
31033 Castelfranco Veneto (TV)
Italy

stiga.com

