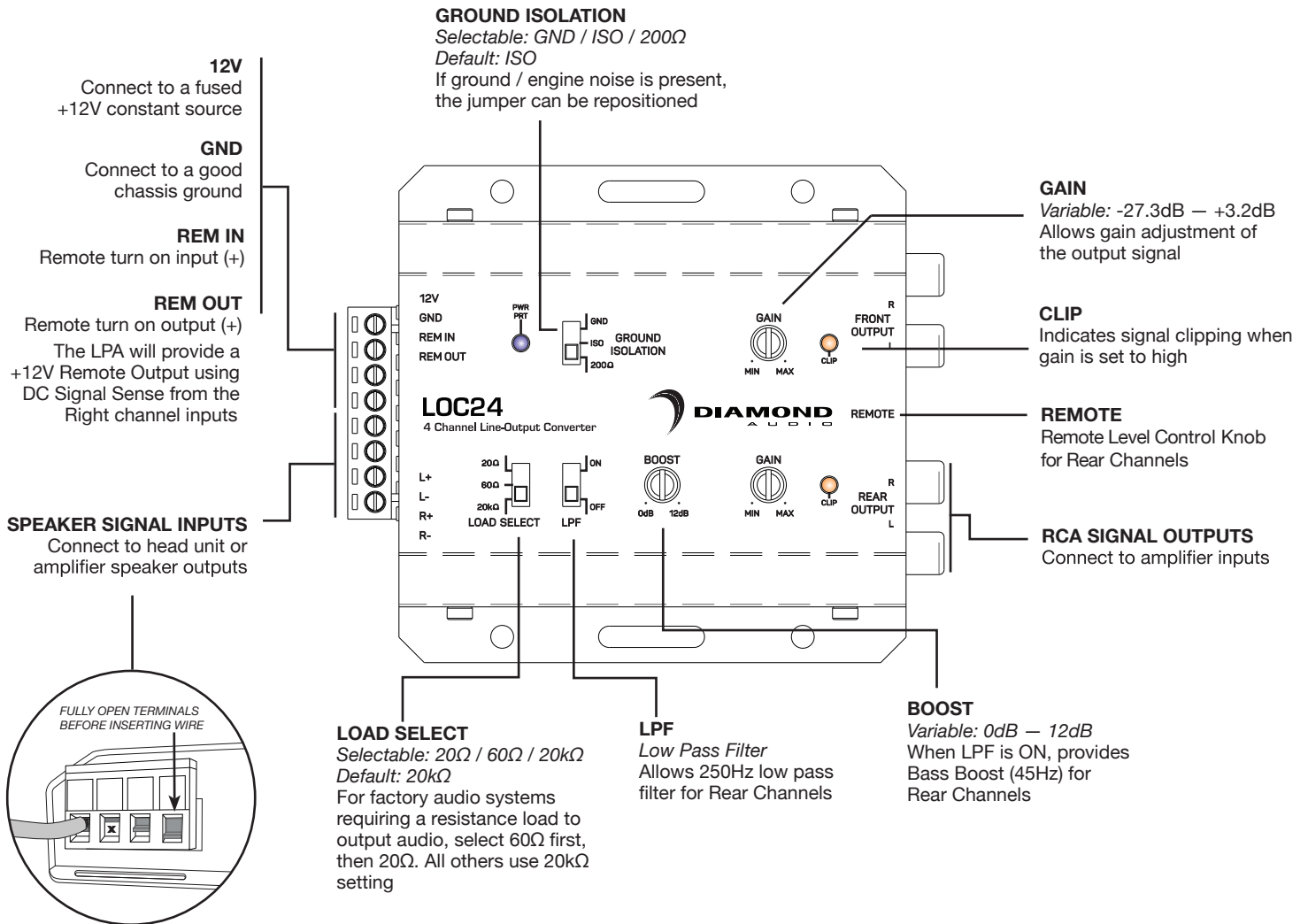


Quick Start Guide

The Diamond Audio LOC22 and LOC24 can be used to add amplifiers to an audio that does not have RCA outputs or when replacing OEM Radio and retaining the factory amplified system. Variable Gain Controls with Clipping Indicators, Selectable Ground Isolation and Load Select features ensure a pure, noise-free signal for any type of audio system.

This Quick Start Guide will get you going, but if you need additional help or information, please visit our website or contact Technical Support.

Features & Wiring Information



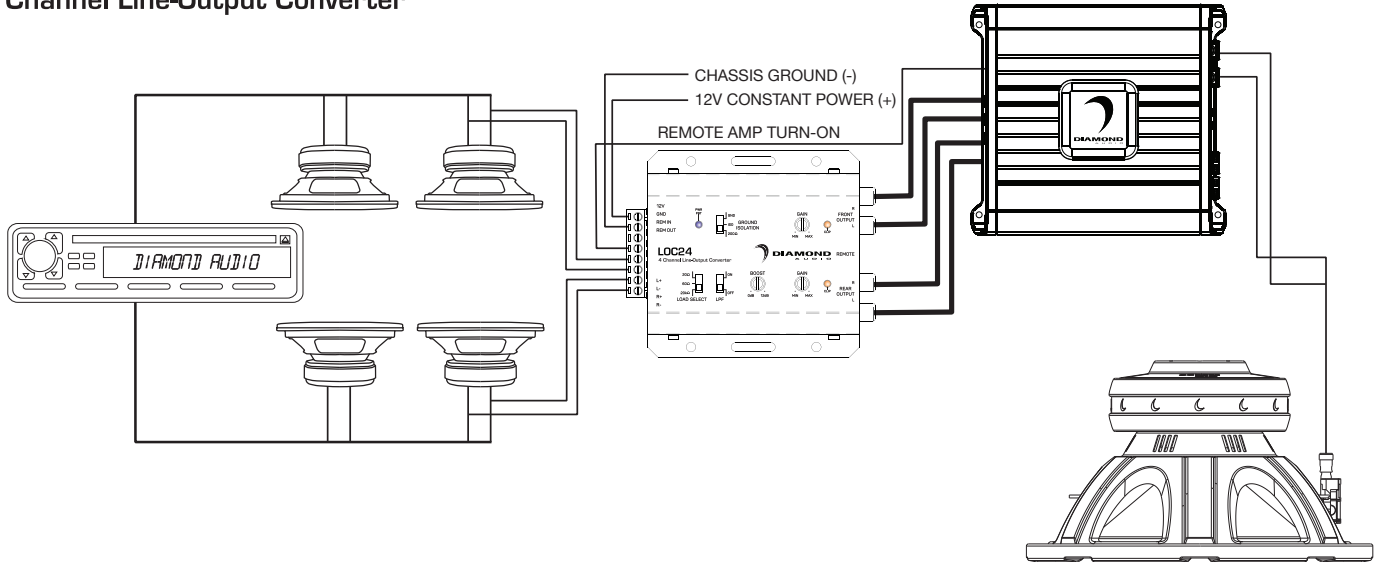
Installation

Speaker level input from a radio to RCA level output for an aftermarket amplifier is the most commonly used configuration for the LOC22 and LOC24. This will create RCA level outputs from a radio that only has speaker level outputs.

Below, the Positive (+) and Negative (-) wires of two speakers are “tapped” and connected to the amplifiers turn-on/ When the radio is turned on, the LOC will continue to play as normal. The REM OUT is connected to the amplifiers turn-on. When the radio is turned on, the Converter will automatically turn on the amplifier. Lastly, the RCA Signal Outputs from the LOC are connected to the aftermarket amplifiers inputs.

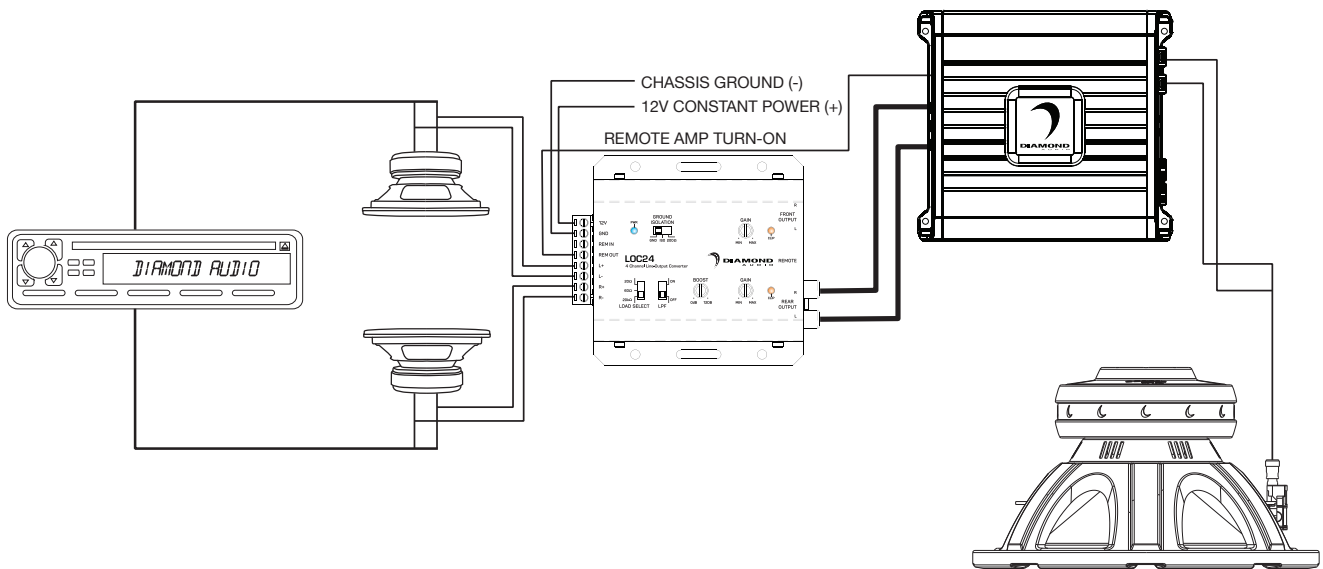
LOC24

4 Channel Line-Output Converter



LOC22

2 Channel Line-Output Converter



Specifications

Model Number	LOC22	LOC24
Channels	2 IN / 2 OUT	2 IN / 4 OUT
Operating Voltage	9V–16V	9V-16V
Max Input Level (20kH Ω Load Setting)	40V / 400W @ 4 Ohms	40V / 400W @ 4 Ohms
Auto Turn On	DC Offset / Remote	DC Offset / Remote
Output Voltage MAX @ 13.8V	9.5V RMS	9.5V RMS
Turn On Trigger (DC-Offset)	3V–7V	3V–7V
Load Input Impedance	20 Ω , 60 Ω , 20K Ω	20 Ω , 60 Ω , 20K Ω
Output Impedance	<120 Ω	<120 Ω
Variable Gain Adjustment	-28dB–+1dB	-28dB–+1dB
Signal To Noise	>110dBA @ 6.4V Output	>110dBA @ 6.4V Output
THD+N	< 0.01%	< 0.01%
Input Sensitivity	0.5V–40V	0.5V–40V
Frequency Response	10Hz–20kHz	10Hz–20kHz
Current Draw (Max)	40mA	40mA
Low Pass Filter	<250Hz	<250Hz
Bass Boost	0dB to +12dB	0dB to +12dB
Clip Indicator	YES	YES
Remote Level Control	YES	YES
Chassis Type	Stamped Steel	Stamped Steel
Terminal Gauge	18AWG / Quick Connect	18AWG / Quick Connect

For more installation examples, tech tips and updates,
visit the DIAMOND AUDIO product pages on
DiamondAudio.com





DIAMOND
A U D I O

**3761 South Hill Street
Los Angeles 90007, USA
P 213-261-4161 / F 213-947-4767**

WWW.DIAMONDAUDIO.COM

**©2021 Diamond Audio All rights reserved.
(a division of CV & DA Holdings, Inc.)**