



DIAMOND
AUDIO

SB4LED26/SB3LED34



**10 SPEAKER/6 SPEAKER
SOUNDBAR WITH LED**

Owners Manual



Thank you for purchasing a Diamond Audio product for your mobile/marine/powersport audio system. You have chosen Diamond Audio because you deserve the best!

Diamond Audio products are designed and engineered to the highest quality standards in the industry to create the ultimate listening experience. For optimal performance of this product, it is highly recommended that you have it installed by an authorized Diamond Audio dealer.

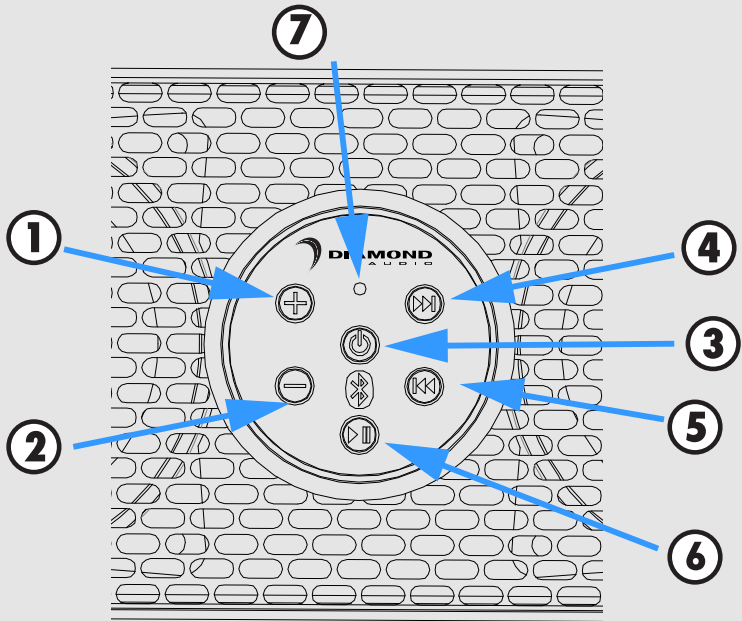
Please contact your local authorized Diamond Audio dealer if you have any questions regarding the instructions in this manual or the product's operational capabilities. If you require additional assistance, please contact the Diamond Audio Technical Support Department during business hours (PST) at 213-212-3187.

IN THE BOX

- Universal Bluetooth Soundbar with LED - SB4LED26/SB3LED34
- Installation Cables (Power/Ground/Accessory)
- Universal Mounting Clamps
- Long Bolts for Golf Cart "Tube" mounting

FEATURES

- Eight 3" Full Range Speakers and Two 1" High Frequency Tweeters with LED (SB3LED36)
- Four 4" Full Range Speakers and Two 1" High Frequency Tweeters with LED (SB4LED26)
- All-Weather Construction for Use in almost any environment
- Integrated Bluetooth Receiver
- Includes Passive Radiator for Better Low End Response
- Auxiliary Input for connecting an external amplifier or additional Soundbar
- Mounting Clamps Fit 1.75" and 2" Bars
- Long Bolts for Golf Cart "Tube" mounting
- Power, Ground, and Accessory Wire Included for Easy Installation



① Volume Up - Turns the Volume UP

② Volume Down - Turns the Volume DOWN

③ Power/Source

- Press and Hold for 3-5 Seconds to turn the unit on or off

④ Song Choice - Select NEXT song FORWARD

⑤ Song Choice - Select NEXT song BACKWARD

⑥ Play/Pause Button

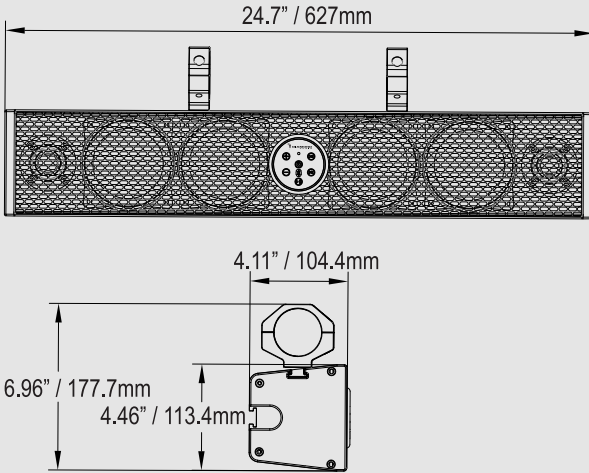
- Play songs/Suspend the songs
- Press and hold for 3 seconds to turn on /off the LED

⑦

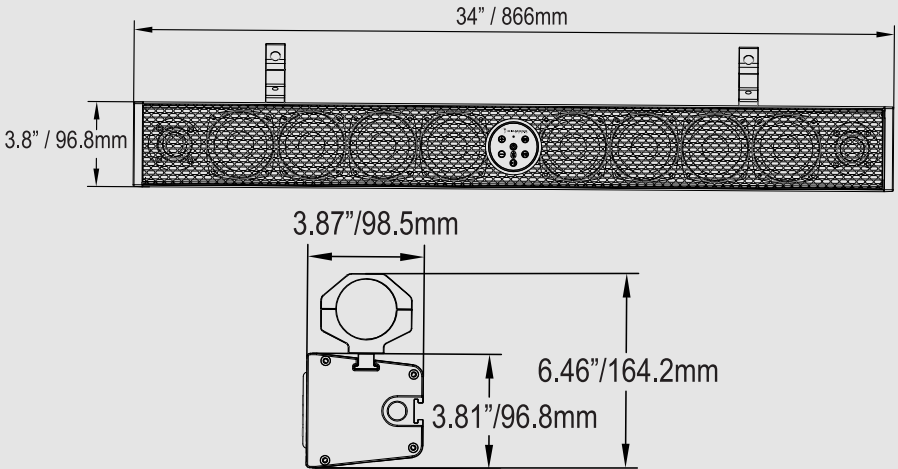
Indicator Light

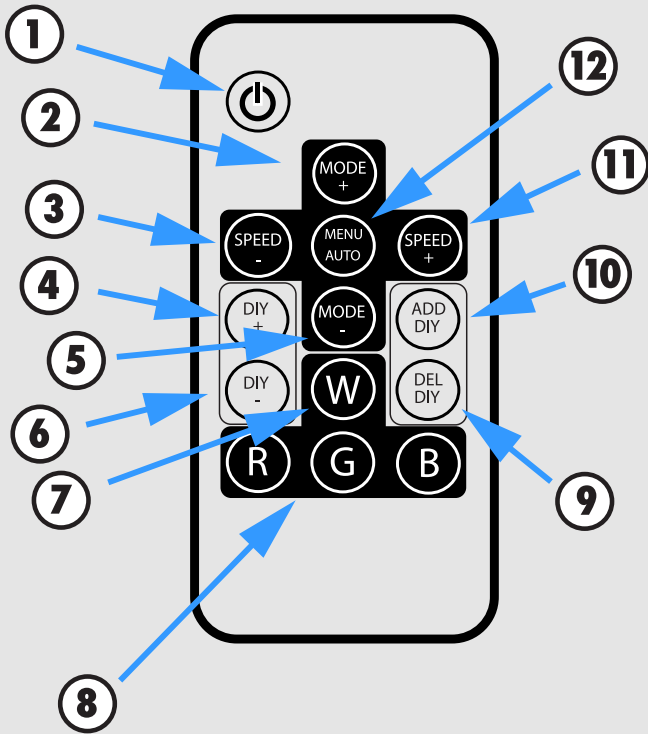
- Blinking Blue - Pairing Mode
- Blue - Bluetooth
- No Light - Aux

SB4LED26



SB3LED34





- 1** **Power On/Off**
Press the shutdown key to save the parameter.
- 2** **Mode +**
358 modes available.
- 3** **Speed - / Brightness -**
Adjust Speed and Brightness of LED
- 4** **Custom Mode +**
- 5** **Mode -**
358 modes available.

6 Custom Mode -

7 White

Delete Match the remote control ID: Press and hold the @ key for 5 seconds to cancel the remote control ID matching (LED Strip White Flashing 3 Times)

8 RGBW

RGBW Static Monochrome Mode.

Remote control ID match: long press "G" key 5 seconds, remote control one to one match (LED Strip Green Flash 3 Times).

9 DEL DIY

Removes the current effect from the custom mode.

10 ADD DIY

Adds the current effect to the custom mode.

11 Speed - / Brightness -

Adjust Speed and Brightness of LED

12 Menu / Auto

Auto play 368 Modes - To adjust the number of LED pixel points and the RGB order: In the off state, press MENU and hold for 5 seconds to enter the setup menu, press MODE + and MODE - to adjust the number of LED pixel points. Press the RGB key to adjust the RGB order, Press R until the led strip shows red. Press G until the led strip shows green, Press B until the LED Strip shows blue, adjust the end press the shutdown key to exit.

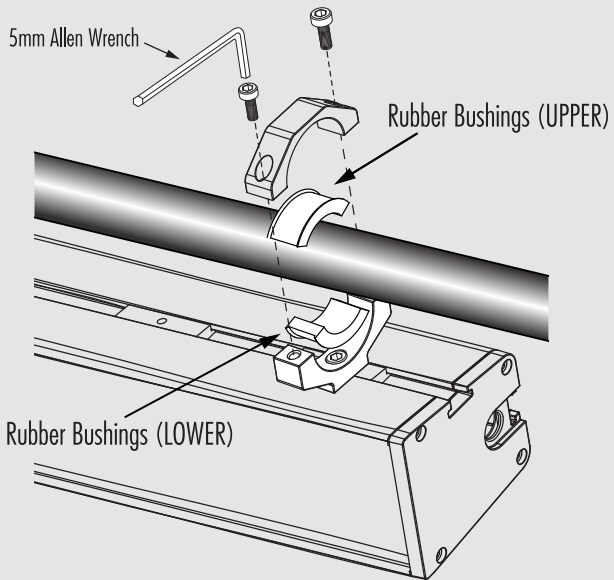
First Method - Mounting via Pipe Clamp (Bracket)

- Tighten bolt down to securely hold the bracket in place.
- Do this for both Pipe Clamps as two are included each speaker bar. No less that two should be used during installation.
- Place top Pipe Clamp over the bar the unit will be mounted to make sure you have chosen the correct rubber bushing for your tube size. Put the rubber bushing above the mountain pipe and below (as shown below)

Note: Placing the included rubber bushings between the Pipe Clamps, above and below, will reduce the possibility scratching your UTV bar during installation.

- Place the flange end bolt through the bracket strap and base. Tighten down with the included mounting bolts until the bar is securely locked in place.
- Connect wires to power, ground, and ignition.

PIPE BRACKET MOUNT

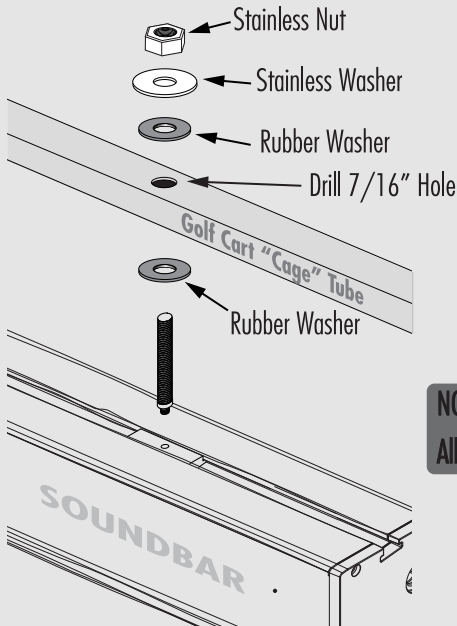


Two rubber bushing sizes are provided. The thinner bushings are for RZR vehicles with 1.75 inch ROPS tubing. The thicker bushings are for ACE and ATV vehicles with 1.5 inch tubing.

Second Method - Mounting via Threaded Bolts (this would be for Golf Cart typically)

1. Included are two threaded bolts that fit into the "Slide".
2. Slide the dove tail aluminum part with bolts into the recessed "notched" area.
3. Spread bolts with slide into the desired location where the unit is to be tightened down.
4. Measure the dimension between the bolts. Use this as the hole line up.
5. Drill 7/16" holes into the tube cage to put the bolts thru
6. Lift Soundbar with the bolts secured into the slide and press the bolts thru your drilled mounting holes.
7. Use included Steel washer, rubber washers and Stainless nuts to secure into place as shown below.
8. Tighten nuts so unit is secure. You may want to use "Loctite" to secure these nuts
9. Connect wires to power, ground, and ignition (See Wiring/Connection)

GOLF CART MOUNT



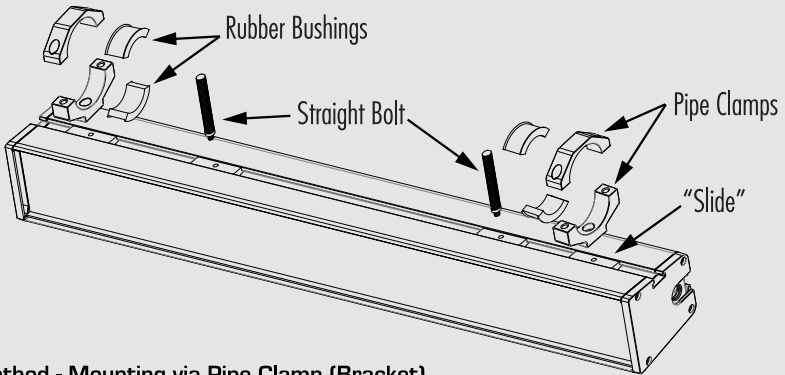
NOTE*
All Hardware is included

OVERVIEW OF SOUNDBAR AND THE 2 METHODS OF INSTALLATION

The SB3LED34/4LED26 can be used with any 12-volt system and can be mounted to a variety of bars using the included hardware. The unit has three wires in its wiring pigtail. The red wire, 12V+ (or B+), should be directly connected to vehicles positive battery terminal, the black wire, ground 12V- (B-), should be connected directly to the vehicle's chassis where paint has been removed or the negative terminal on the battery, and the blue wire, accessory, should be connected to the ignition wire on the vehicle thru the included "Carling" style rocker switch. The unit includes two low clearance brackets that fit 1.75" and 2" bars. The clamps can be used ONLY on the top channel and can be adjusted to fit multiple types of bars including vertical, horizontal, or angled bars allowing for multiple installation options.

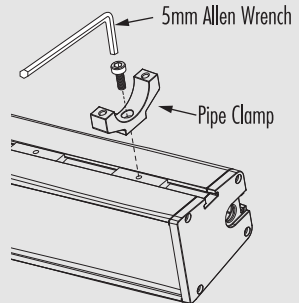
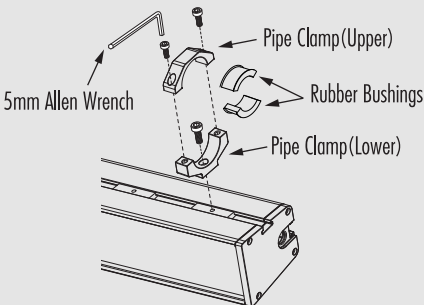
MOUNTING

1. Via Pipe (Bracket)
2. Via Straight Bolt through Dove Tail "Slide" piece.



First Method - Mounting via Pipe Clamp (Bracket)

- Take 14mm bolt with lock washer and place it through bottom of clamp and slightly thread into Dove tailed "Slide" piece. You will need a 5mm Allen to accomplish this task.
- Slide assembly and lock washer into the recessed "notched" area placing the unit at angle/mounting location to dial in bracket angle and placement.



1. Tap the Power button to turn the unit on. (Power, Ground, and ACC wire need to be connected to a 12V power source.)
2. Tap the Power button to switch modes between Bluetooth and AUX.
3. Hold the Power button for 2 seconds to turn the unit OFF. Note: The buttons will stay illuminated as long as the ACC wire has 12V applied to it.
4. The included fuse loop, ring terminals, and butt connector allow for easy wire connection to a 12V power source.

Note: The indicator light will illuminate Blue when in Bluetooth mode and Green when in AUX mode.

OPERATION

Follow these steps to use Bluetooth Functionality with a Bluetooth enabled device:

1. Power the unit on by tapping the Power button once.
2. Select Bluetooth by tapping the Power button until it blinks Blue.
3. Select "DATSB" from the menu on your Bluetooth enabled device. The unit will power on in Bluetooth mode first when it is turned by tapping. If the accessory wire is disconnected, (vehicle is turned off and then turned on) the unit will revert back to the previous Bluetooth or AUX setting.
4. Choose "Pair" when prompted.
5. Once "Paired" the unit will be able to play audio from your Bluetooth device. The front panel control buttons will control track forward/back and volume up/down in this mode. The Play/Pause button will mute the output and the LED indicator will blink Blue when in Mute mode..

Follow these steps to utilize an Auxiliary Input device (RED connector):

1. Power the unit On by tapping the Power button once.
2. Select Auxiliary by tapping the Power button until it blinks BLUE.
3. Connect an audio device to the AUX input using the "RED" 3.5mm input on the side of the unit.

The LED will illuminate Yellow, and will blink yellow when in mute mode.

The front panel control buttons will adjust the Volume up/Volume down in this mode. The Play/Pause button will mute the audio output and the LED indicator will blink Yellow when in Mute mode.

Using the Auxiliary Output (Black connector):

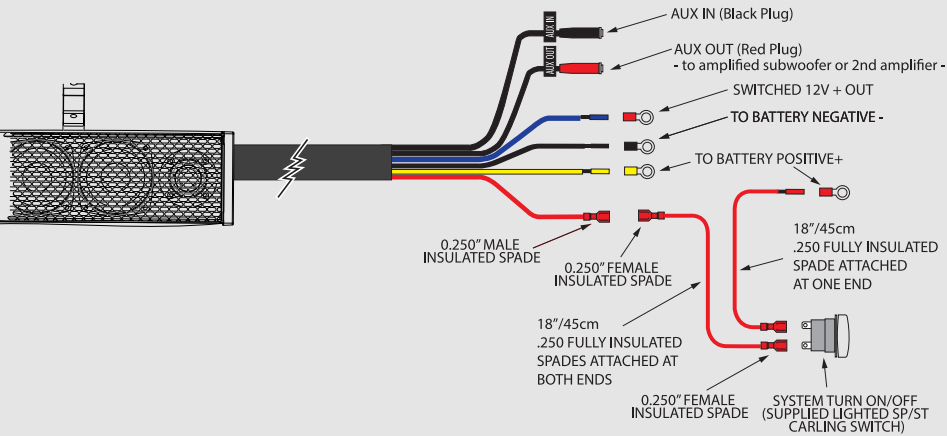
1. Auxiliary out is a variable output that allows connection to a secondary audio device, whether it is an external amplifier connected to speakers or subwoofer.
2. The SB3LED34/SB4LED26 can be used with a second SB3LED34/SB4LED26 unit. For the best performance, the second unit connected via Auxiliary should have the volume set to the max.

Controlling the Volume

The LED indicator light will blink in both Bluetooth and AUX modes at max volume.

1. If installing on an electric vehicle, switch it into TOW mode. Carefully remove the Positive (+) then Negative (-) battery wires.
2. If Installing on a gas vehicle, wire the Negative (Black) wire to the Negative (-) battery terminal and the Positive (Red) wire to the Positive (+) battery terminal.
3. Route the Aux In & Aux Out wires to your desired location. The Aux In is for a music source that does not have a Bluetooth capability. The Aux Out is to connect to an optional amplifier or amplified subwoofer.

DIAMOND AUDIO SOUNDBAR



4. The Blue Remote Out wire provides +12V when the soundbar is powered on. This may be used as a turn on (+12V) signal for additional amplifiers or an optional amplified subwoofer. (See 3 above)
5. There is a special function on SB3LED34/4LED26 Soundbars. If you follow the wiring above, after turning on the SB3LED34/4LED26 with the Carling Switch and THEN powering up the Bluetooth receiver. From this point IF you use the Carling switch to turn ON and OFF... your SB3LED34/4LED26 soundbar, then the Soundbars Bluetooth is Automatically TURNED ON and paired to the last phone.
6. IF you want to bypass the Auto-On Bluetooth feature.... simply turn on and off the Bluetooth receiver built in to the soundbar using its power on switch
7. Tie up all excess wires and reinstall the Positive (+) the Negative (-) battery wires. If installing on an electric vehicle, switch it back into RUN mode.

Note: DC-DC Converter is required on electric vehicles to avoid damage to the accessory and the vehicle.

WARRANTY

Diamond Audio Technologies (DAT), a division of CV & DA Holdings Incorporated, warrants this product to be free from defects in material and workmanship for a period of one (1) year from the original date of purchase, provided it was purchased from an authorized DAT retailer within the United States. Product warranty period starts at the date of purchase or one year past the manufacture date whichever is first. However, upon purchase and completion of the on-line registration and installation by an authorized DAT dealer, warranty period will be extended to two (2) years. This warranty extension offer will only be recognized upon completion of the on-line registration of your product within thirty (30) days of the date of purchase.

THIS WARRANTY IS NOT TRANSFERABLE AND APPLIES ONLY TO THE ORIGINAL PURCHASER OF THIS PRODUCT IN ITS ORIGINAL INSTALLATION. Original purchaser must reside in the United States and be able to provide proof of purchase and installation with the sales receipt and completion of online registration from the authorized DAT retailer that sold and installed the product.

Should a manufacturing defect occur during above said warranty period, DAT will replace or repair the defective product with a product of the same or equivalent value and performance, at DAT's discretion.

Damage or failure caused by any of the following is not covered under this warranty policy: negligence, improper use, abuse, product modification, unauthorized repair attempts, accident, acts of God, misrepresentations by DAT retailers, and improper/inadequate packaging during return shipping.

Warranty is void if serial numbers have been removed, altered or defaced.

HOW TO OBTAIN WARRANTY SERVICE

In the event a DAT product should require service, you should visit the authorized DAT retailer you purchased the product from and they can expedite your claim. All claims must fall into the guidelines listed above and be accompanied by a copy of the original sales and installation receipt from that authorized DAT retailer.

Product returned for warranty service must be freight-prepaid, properly packaged and clearly marked with the Return Authorization (RA) number issued by DAT. Any product returned to DAT that is improperly packaged, does not have a RA number clearly marked on the package, or never received a RA number, may be refused upon delivery. DAT does not assume responsibility for lost or misdirected product.

Repair or replacement under this warranty is the exclusive remedy of the consumer. DAT shall not be liable for any incidental or consequential damages for breach of any expressed or implied warranty on this product. Some states do not allow the exclusion or limitation of incidental or consequential damages, or allow limitations on how long an implied warranty lasts, so the above limitations or exclusions may not apply to you. This warranty gives you specific legal rights and you may also have other rights that may vary from state to state.

Customers outside the United States should contact their local sales office to obtain information on pricing, exchange unit availability, instructions, service and warranty/non-warranty replacement or repair.

Diamond Audio Technologies

3761 S. Hill Street

LOS ANGELES, CA 90007

Tel: 213-261-4161

Fax: 213-947-4767

Web: diamondaudio.com

Service/Tech Support:

213-261-4161

Tech Support Email

helpdesk@dat-cvm.com

SPECIFICATIONS

PRODUCT SPECIFICATIONS

	SB4LED26	SB3LED34
RMS Power Rating (rated at 0.1% THD)		
Max Power	200 W MAX	400 W MAX
RMS Power (4 Ω)	100 W RMS	200 W RMS
Driver Compliment		
	4 - 4" Mid Woofer 2 - 1" Titanium dome neodymium tweeter	6 - 3" Mid Woofer 2 - 1" Titanium dome neodymium tweeter
Type		
Topology	Full Range Class D	Full Range Class D
Power Supply		
Power Supply	Full PWM	Full PWM
Power Supply (Threshold)	10.0VDC - 17.0VDC	10.0VDC - 17.0VDC
Idle Current	(0.7A)	(0.7A)
Distortion		
THD (1KHz @4Ω)	0.1%	0.1%
S/N Ratio (A weighted @1W)	-85dBA	-90dBA
S/N Ratio (A weighted @ FP)	-101.1dBA	-101.1dBA
Input Sensitivity		
Hi/Low Input Level	0.15V - 12.0V	0.15V - 12.0V
Input Impedance		
Low Input Level	20 KΩ	20 KΩ
Frequency Response		
Bandwidth (+/-3dB)	70Hz-20KHz	10Hz-20KHz
Crossover (-12dB/Oct)		
High-Pass	4,500Hz	4,500Hz
Inputs		
	Bluetooth and AUX	Bluetooth and AUX
Fuse Ratings		
ATC FUSE	20A	30A
Dimensions:		
Length (inches/mm)	24" / 627m	34" / 866m
Height (inches/mm)	4.1" / 104.4m	3.8" / 96.8m
Depth (inches/mm)	4.46" / 113mm	3.87" / 198.5mm
Over All Height (inches/mm)	6.96" / 177mm	6.46" / 164.2mm



DIAMOND
AUDIO

3761 S. Hill Street
Los Angeles, CA 90007

©2021 Diamond Audio. All rights reserved.
(a division of CV & DA Holdings, Inc.)