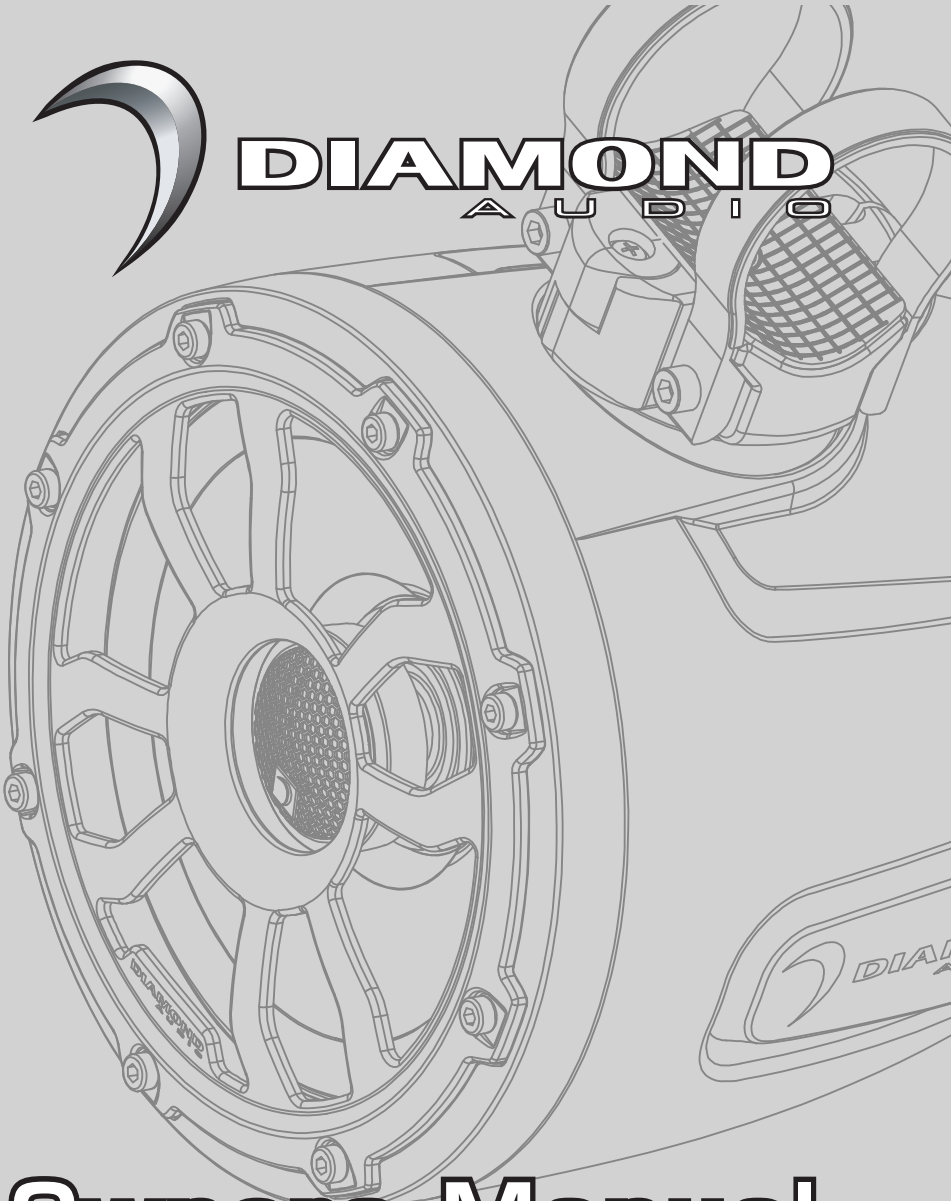


# MOTORSPORT SERIES SPEAKER PODS



**DIAMOND**  
AUDIO



# Owners Manual

## ABOUT THE DIAMOND AUDIO EXPERIENCE

---

Congratulations, you have just purchased the finest Marine Audio products on the market to date. At Diamond Audio, our products represent the latest advances in acoustic technology in sound reproduction for your power sport/marine applications. Diamond Audio products are designed, developed, and engineered using the latest innovative materials and components to provide the finest sound reproduction possible. Every Diamond Audio product has been Klippel verified and tested to ensure the best sounding and most reliable product on the market, if installed properly, Diamond Audio products will provide many years of the ultimate listening experience.

Please note that prolonged exposure to sound pressure levels in excess of 100dB can cause permanent hearing loss. Using Diamond Audio products can exceed that level so please exercise restraint in its operation in order to preserve your ability to enjoy its high fidelity sound for many years to come.

Diamond Audio recommends our products be professionally installed by an authorized Diamond Audio dealer to achieve the best possible system recommendation and installation. This will ensure a true Diamond Audio listening experience and sound you would expect from Diamond Audio products. In doing this you will extend your warranty from one year to two years.

Go ahead, Hear the Music

### GENERAL FEATURES

- Manufactured to IP65 Marine Grade Compliant Specifications
- 1" Bridge Mounted Titanium Dome Tweeter
- Shorting Ring Utilized In Motor Structure for better Frequency Response
- UV-Treated Thermal Molded Waterproof Kevlar Cone with Rubber Surround
- 12dB Bessel Crossover Network
- Super High Energy Neo Motor System with Milled aluminum top plate
- High Temperature UV-treated Injected Composite Basket
- Integrated RGB LED Lighting
- HXMRGBLC Multi-Function RGB LED Lighting Remote Control Available (optional)

### SUPPLIED HARDWARE/PARTS

- 1 - Pair Marine Grade Tower Speakers
- 1 - M6 Allen Hex Tool
- 1 - M3 Allen Hex Tool

Water Proof Wire Management System

6 Conductor(2)18AWG speaker/(4)22AWG RGB wire (for each speaker enclosure)

# FEATURES

---

## POD65F4B & POD65F4B SPECIAL FEATURES

- 2-Way 6.5" Pod Speaker System(Pair)
- 1" tweeter titanium dome
- US Manufactured 1.75" Black High Temperature Glue Coated Voice Coil
- 150W RMS/300W MAX Power Handling
- IP65 Marine Grade Compliant, 100% UV Stable
- Y35 Motor Structure With Max Xmax Suspension
- Molded injection ASA Grill and Enclosure With Matt Black painted,
- 316 Stainless Metal Mesh
- Integrated DIGITAL LED Lighting In Speakers and Enclosure
- 4"Passive design for bass boost
- Radial Zip Ring(RZR)Cone for Expanded High Frequency Requency reproduction
- Flat or Pipe mounting Bracket option

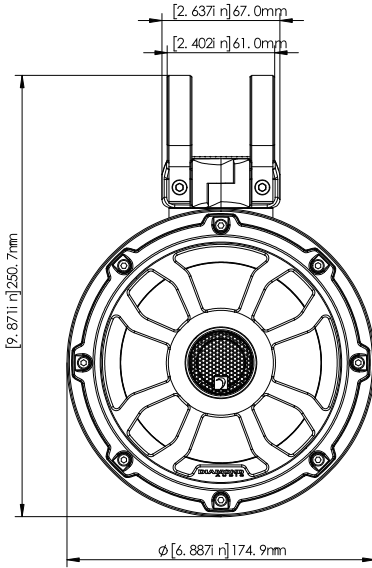
## POD8F4B & POD8F4W SPECIAL FEATURES

- 2-Way 8" Pod Speaker System(Pair)
- 1" tweeter titanium dome
- US Manufactured 1.75" Black High Temperature Glue Coated Voice Coil
- 175W RMS/350W MAX Power Handling
- IP65 Marine Grade Compliant, 100% UV Stable
- Y35 Motor Structure With Max Xmax Suspension
- Molded injection ASA Grill and Enclosure With UV Coating,
- 316 Stainless Metal Mesh
- Integrated DIGITAL LED Lighting In Speakers and Enclosure
- 5"Passive design for bass boost
- Radial Zip Ring(RZR)Cone for Expanded High Frequency Requency reproduction
- Flat or Pipe mounting Bracket option

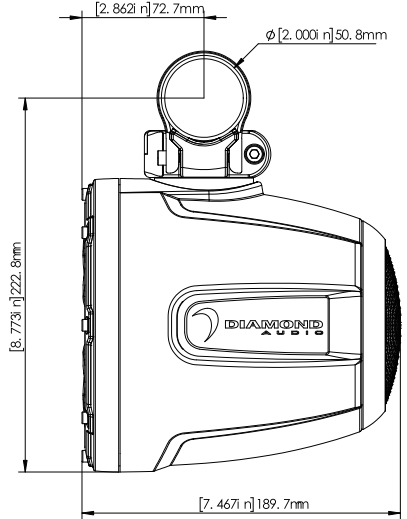
## POD10F4B & POD10F4W SPECIAL FEATURES

- 2-Way 10" Pod Speaker System(Pair)
- 1" tweeter titanium dome
- US Manufactured 2" Black High Temperature Glue Coated Voice Coil
- 200W RMS/400W MAX Power Handling
- IP65 Marine Grade Compliant, 100% UV Stable
- Y35 Motor Structure With Max Xmax Suspension
- Molded injection ASA Grill and Enclosure With UV Coating,
- 316 Stainless Metal Mesh
- Integrated DIGITAL LED Lighting In Speakers and Enclosure
- 6"Passive design for bass boost
- Radial Zip Ring(RZR)Cone for Expanded High Frequency Requency reproduction
- Flat or Pipe mounting Bracket option

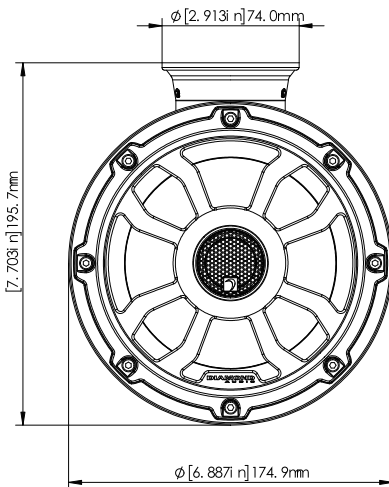
# POD65F4B



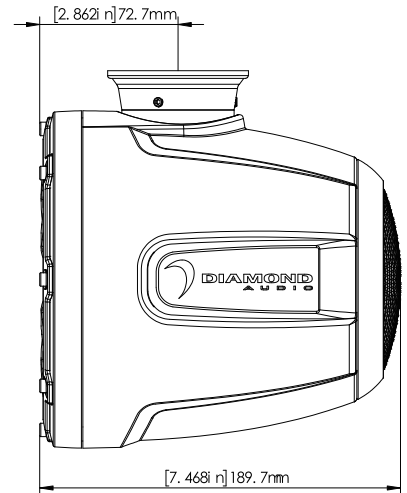
# POD65F4W



# POD8F4B

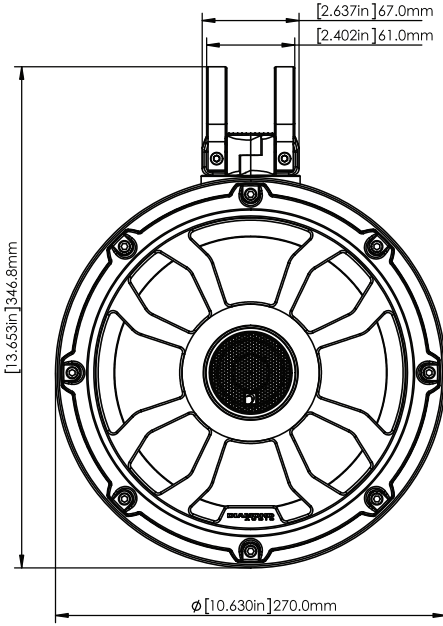


# POD8F4W

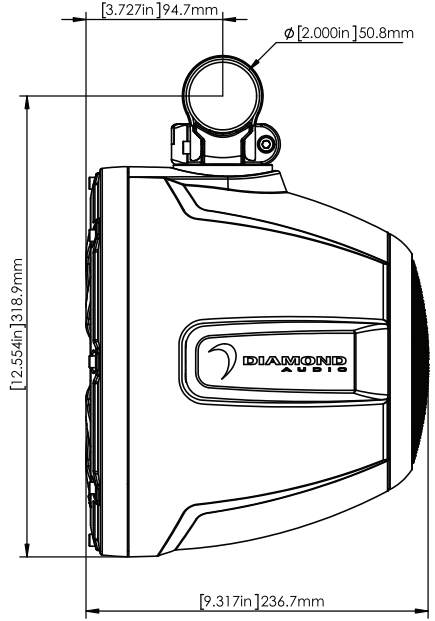




# POD10F4B



# POD10F4W



## INSTALLATION CONSIDERATIONS:

1. Be sure to carefully read and understand the instructions before attempting to install these speakers.
2. For safety, disconnect the negative battery terminal from the battery prior to beginning the installation.
3. For easier assembly, we suggest you have all your tools handy- Drill, Allen set, Crimps, Soldering iron, wire strippers, heat-shrink, etc
4. Use high quality "Water Proof" connectors for a reliable installation and to minimize signal or power loss.
5. Think before you drill! Be careful not to cut or drill into gas tanks, fuel lines, brake or hydraulic lines, vacuum lines or electrical wiring when working on any vehicle. If installation in a boat, take care not to cut or drill through the main hull.
6. Never run wires near fuel lines or power (if possible) . Running the wires inside the hull area provides the best protection.
7. Avoid running wires over or through sharp edges. Use rubber or plastic Grommets to protect any wires routed through metal, especially the tower.
8. Make sure that the mounting clamps are tight before leaving the dock
9. Decide early what type of LED lighting you want (if any) and wire accordingly (NOTE: if you want "Dancing lights" look to the DADLED - RF remote controlled LED light box. The easy way to have lighting ...YOUR way!)

## MOUNTING

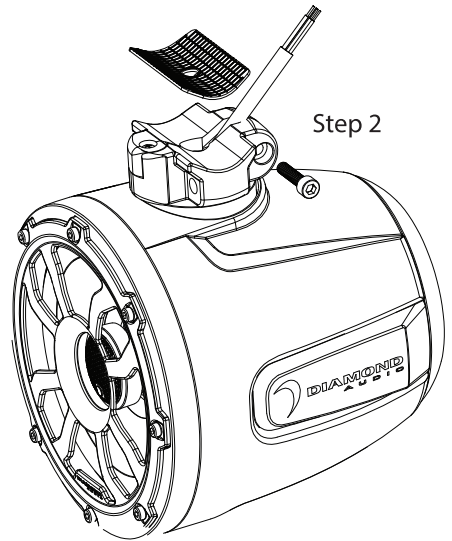
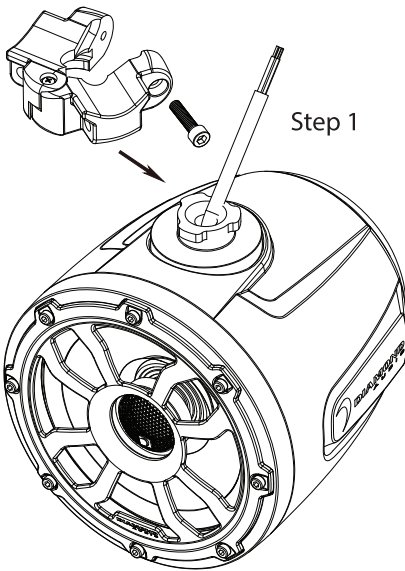
Step 1: Remove tower speakers from the packaging and ALL hardware

Step 2: Find a GOOD location that allows for easy wiring of the speakers (and LED lights) - PLUS.. does NOT impair you movement around the location.

Step 3: Using the supplied M6 Allen wrench remove the 2 bolts that hold the clamp tops onto the clamp bottoms of the tower speakers.

Step 4: These speakers are not too heavy but we recommend that you have a friend help you by holding the speaker/enclosure up while you insert and screw down the large M6 bolts. Or alternatively use a large tie-wrap to “hang” the tower speaker while you insert and screw down the large M6 bolts.

Step 5: Tighten the M6 clamp bolts down, but DO NOT over tighten as this will strip the clamps making them useless.

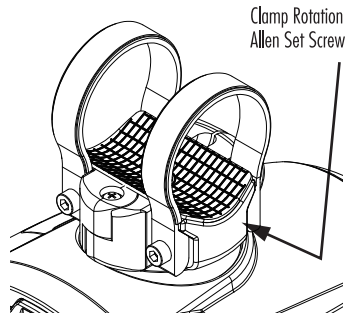


Step 6: if need be rotate the speakers for best dispersion. This is easily done by locating the included 3mm Allen set screw on the side of the mounting clamp. Once located release it using the included 3mm Allen wrench so that you may rotate the speaker/ enclosure to the desired angle. Once there...lock the Allen down.

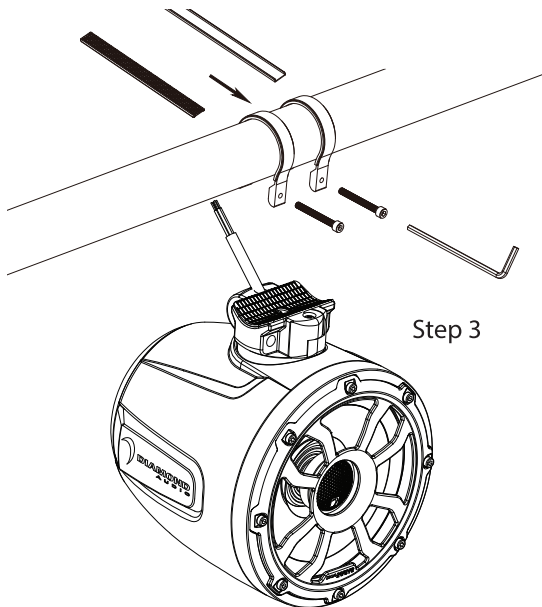
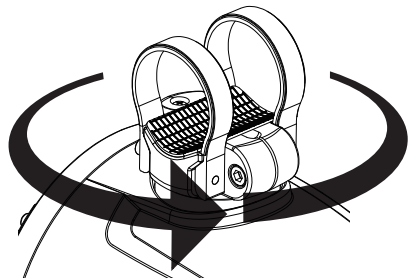
**NOTE:**  
Blue Loctite is recommended for ALL Allen head bolts/hardware

Step 7: During the mounting process you should have located the spot to drill your tower bar for the 5 conductor wire (Speaker and RGB lighting wiring) insertion.

Step 8: Drill a 3/8" hole in the pipe and de-burr the hole so there is no sharp edges. It is also recommended to install a rubber grommet in this hole to protect the wire.

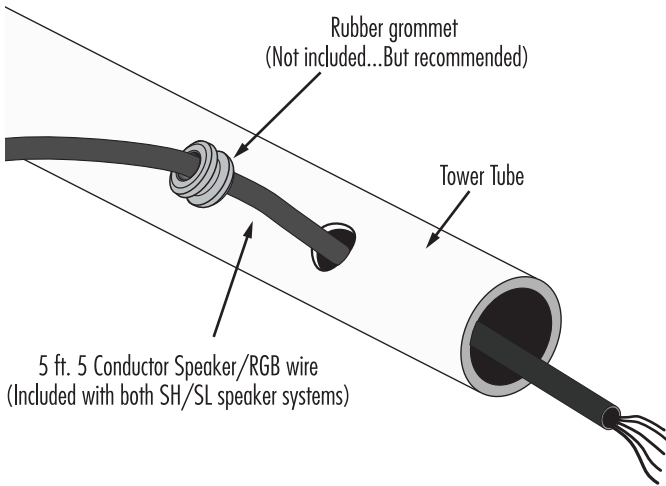


360 Degree Clamp Rotation

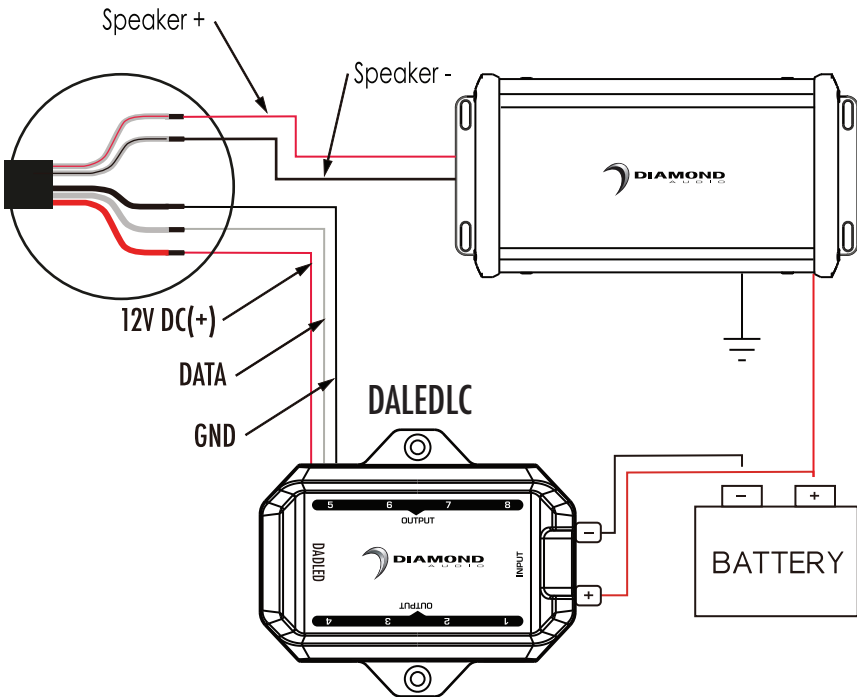


Step 9: Slide the wire jacket down thru the hole with grommet and wire. Snake the wire down to the bottom of the tower tube in a location that the wires can be attached to the audio (and lighting) system. Solder or butt connect the speaker wire coming from the tower to the speaker wire to the system. Then heat-shrink it for added protection from water/moisture.

# TOWER TUBE WIRING DETAIL



# LED/SPEAKER WIRING CONFIGURATION



# SPECIFICATIONS

Model	POD65F4B	POD65F4W	POD8F4B	POD8F4W	POD10F4B	POD10F4W
Nominal Diameter - inch (mm)	6.5 (165)	6.5 (165)	8 (203)	8 (203)	10 (254)	10 (254)
Description	2-Way	2-Way	2-Way	2-Way	2-Way	2-Way
Nominal Impedance (Ohms)	4Ω	4Ω	4Ω	4Ω	4Ω	4Ω
Frequency Response(Hz)	70-18 kHz	70-18 kHz	55-18 kHz	55-18 kHz	50-18 kHz	50-18 kHz
Voice Coil Diameter - Inch (mm)	1.75 (44.7)	1.75 (44.7)	1.75 (44.7)	1.75 (44.7)	2 (50.8)	2 (50.8)
Power Handling - Watts (RMS/Peak)	150/300	150/300	175/350	175/350	200/400	200/400
Fs - Free Air Resonance (Hz)	80	80	60	60	55	55
Qts	0.828	0.828	0.948	0.948	0.529	0.529
Vas - cu. ft. (Liter)	4.866	4.866	13.791	13.791	41.319	41.319
Sensitivity (1W/1M)	92	92	93	93	95	95
Sensitivity (2.83V/1M)	95	95	96	96	98	98
Mounting Height - inch (mm)	9.9 (250.7)	9.9 (250.7)	11.6 (44.7)	11.6 (44.7)	13.7 (346.8)	13.7 (346.8)
Mounting Diameter - inch (mm)	6.9 (174.9)	6.9 (174.9)	8.6 (219)	8.6 (219)	16.6 (270)	16.6 (270)
Mounting Length - inch (mm)	7.5 (189.7)	7.5 (189.7)	8.3 (210.7)	8.3 (210.7)	9.4 (239.2)	9.4 (239.2)
Clamps/Wire	YES	YES	YES	YES	YES	YES

We reserve the right to change products and specifications at any time without notice.  
Images may or may not include optional equipment.

# LIMITED SPEAKER WARRANTY STATEMENT

---

Diamond Audio Technologies, (CV & DA HOLDINGS INC.) warrants this product to be free from defects in material and workmanship for a period of one (1) year from the original date of purchase provided it was purchased from an authorized DAT retailer within the United States. Product warranty period starts at date of purchase or one year past manufacture date whichever is first. However, upon purchase, completion of the online registration and installation by an authorized DAT dealer your warranty period will be extended to two (2) years. This warranty extension offer will only be recognized upon completion of the online registration of your product within 30 days of the date of purchase.

THIS WARRANTY IS NOT TRANSFERABLE AND APPLIES ONLY TO THE ORIGINAL PURCHASER OF THIS PRODUCT IN ITS ORIGINAL INSTALLATION. Original purchaser must reside in the United States and be able to provide proof of purchase and installation with the sales receipt and completion of online registration from the authorized DAT retailer that sold and installed the product.

Should a manufacturing defect occur during above said warranty period, DAT will replace or repair the defective product with a product of the same or equivalent value and performance.

Damage or failure caused by any of the following is not covered under this warranty policy: negligence, improper use, abuse, product modification, unauthorized repair attempts, accident, acts of God, misrepresentations by DAT retailers, and improper/inadequate packaging during return shipping.

**Warranty is void if serial numbers have been removed, altered or defaced.**

## HOW TO OBTAIN WARRANTY SERVICE

---

In the event a DAT product should require service, you should visit the authorized DAT retailer you purchased the product from and they can expedite your claim. All claims must fall into the guidelines listed above and be accompanied by a copy of the original sales and installation receipt from that authorized DAT retailer.

Product returned for warranty service must be freight-prepaid, properly packaged and clearly marked with the Return Authorization (RA) number issued by DAT. Any product returned to DAT that is improperly packaged, does not have a RA number clearly marked on the package, or never received a RA number may be refused upon delivery. DAT does not assume responsibility for lost or misdirected product.

Repair or replacement under this warranty is the exclusive remedy of the consumer. DAT shall not be liable for any incidental or consequential damages for breach of any expressed or implied warranty on this product. Some states do not allow the exclusion or limitation of incidental or consequential damages, or allow limitations on how long an implied warranty lasts, so the above limitations or exclusions may not apply to you. This warranty gives you specific legal rights and you may also have other rights that may vary from state to state.

Customers outside the United States should contact their local sales office to obtain information on pricing, exchange unit availability, instructions, service and warranty/non-warranty replacement or repair.

---

### Diamond Audio Technologies

3761 South Hill St.  
LOS ANGELES, CA 90007  
Tel: 213-261-4161  
Fax: 213-947-4767  
Web: [diamondaudio.com](http://diamondaudio.com)

### Service/Tech Support:

213-261-4161  
Tech Support Email  
[techsupport@diamondaudio.com](mailto:techsupport@diamondaudio.com)



**DIAMOND**  
AUDIO

3761 South Hill St.  
Los Angeles, CA 90007

©2022 Diamond Audio. All Rights Reserved.  
(a division of CV & DA Holdings, Inc.)