

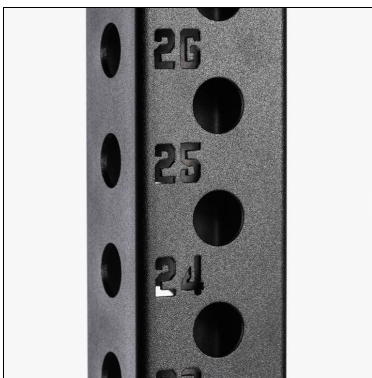
REVOLVE Pro Power Rack



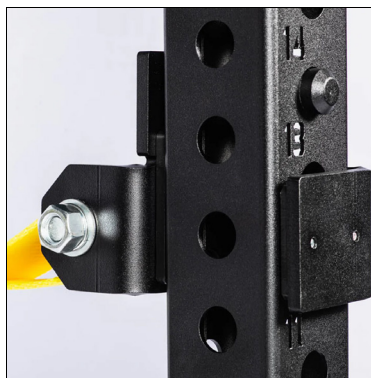
Description

A power rack is an essential tool in every gym, simply due to its immense variety of uses. The Bench Fitness Revolve Pro Power Rack is the crème de la crème of Power Racks. Built using the strongest, most durable materials, the Revolve Pro Power Rack offers a huge amount of adjustability.

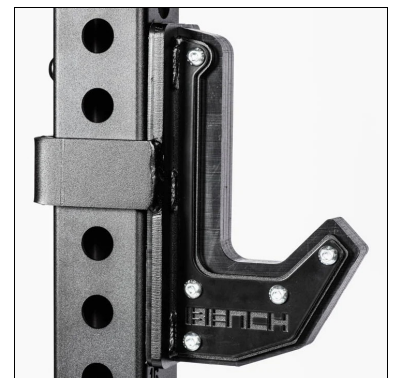
The Revolve Pro Power Rack uprights allow you to adjust the J-Hooks and safety straps over a wide range of heights. The Bench Fitness J-Hooks are coated in high density plastic to protect your barbell. The Bench Fitness Safety Straps are strong enough to handle whatever you drop on them all while making sure your barbells don't get damaged. The Revolve Pro Power Rack is fully compatible with the ever growing range of Bench Fitness Rack Accessories and comes with a standard horizontal pull up bar as well as a multi-grip pull up bar and adjustable band pegs. With the additional uprights and plate storage pins on the Pro model, this power rack is any a strength gyms must have. Our Revolve range offers you a full range of colours options and custom branding solutions available upon enquiry.



CNC 24 mm laser cut holes
(50mm hole spacing)



Safety strap system with high density
plastic to protect rack



Sandwich J Hooks with high density
plastic to protect barbell and rack

Features

- 10 year structural warranty
- Full customization available
- 1 inch black zinc bolts
- 1 inch black zinc band pegs
- Bench wrench included for easy assembly

Specifications

Material:	75 x 75 Tube
Length:	1925mm
Height:	2300mm
Width:	1250mm (1870mm bumper pin)
Weight:	210kg



REVOLVE Pro Power Rack



Dimensions

