

REVOLVE 45 Degree Back Extension



Description

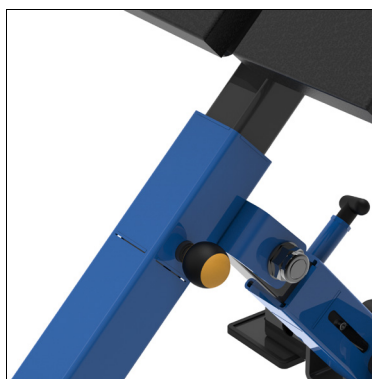
Over 70% of people will suffer some back pain every year while over 5% of people suffer from chronic back pain. One of the best ways to overcome this is to build a bulletproof back. The Bench Fitness Revolve Back Extension is an essential tool in your mission of building that bullet proof back.

The Bench Fitness Revolve Back Extension comes with fully adjustable hip pad and leg supports and while those are pretty standard on any back extension, the Revolve Back Extension also comes with adjustable angles and band peg attachment points to ensure you can stimulate the lower back at all angles.

Built Strong as only Bench Fitness can, the Revolve range offers fully customizable colours and branding upon enquiry.



35 to 50 degree adjustment



844-1119mm height adjustment



Adjustable Heel Lock

Features

- 10 year structural warranty
- 3 adjustment points
- 1 inch black zinc bolts
- Bench wrench included for easy assembly

Specifications

| | |
|-----------|------------------------|
| Material: | 75x75 Steel Tube Frame |
| Length: | 1247mm |
| Height: | 976mm (max) |
| Width: | 666mm |
| Weight: | 60kg |



REVOLVE 45 Degree Back Extension



Dimensions

