

Core Add On Kit

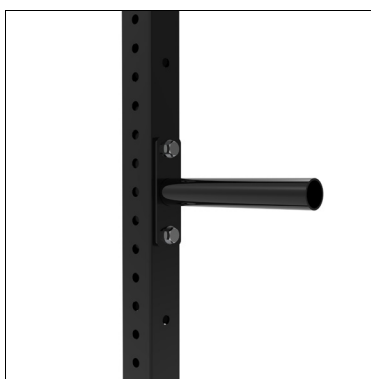


Description

The Core Add on Kit provides you with everything you need to turn your Core Power Rack into a Core Pro Power Rack. Rack must be bolted to floor.



CNC 17mm laser cut holes
(50mm hole spacing)



Includes 6 Bumper pins



Hardware and tools included
for assembly

Features

- Matt Black Powder Coat
- Store 450kg of bumpers in 675mm space
- Fits to Core Power Rack

Specifications

Material:	75mm x 75mm tube
Length:	675mm
Height:	2300mm
Width:	1250mm
Weight:	62kg





Dimension

