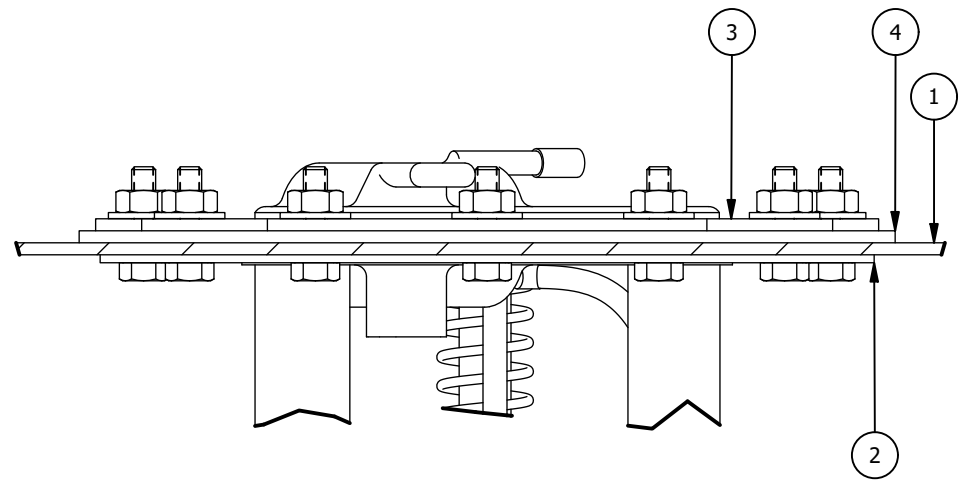


| PARTS LIST |     |                  |                             |
|------------|-----|------------------|-----------------------------|
| ITEM       | QTY | PART NUMBER      | DESCRIPTION                 |
| 1          | 1   | MB5005           | Jeep TJ Fuel Cell 30x12x9   |
| 2          | 1   | MB5007-3         | Split Ring                  |
| 3          | 1   | MB5007-1         | Clamp Ring                  |
| 4          | 1   | MOPAR 05161335AH | TJ Fuel Pump (Not Included) |
| 5          | 1   |                  | Filler Neck & Cap           |
| 6          | 1   |                  | Roll Over Valve             |
| 7          | 12  | 1/4-28 x 1 UNF   | Hex Bolt                    |
| 8          | 12  | 1/4 Flat Washer  | Nylon Flat Washer           |
| 9          | 12  | 1/4-28 UNF       | Nylock Hex Nut Zinc         |
| 10         | 1   | MB3000           | Fuel Cell Mount (OPTIONAL)  |
| 11         | 1   |                  | Male 8AN Fitting            |

NOTE: SEE "Filler Neck & Cap Assembly" DRAWING FOR ITEM 5



Dwg/Part No: **MB5005-TJ - Customer**  
 Description: **Fuel Cell, Jeep TJ 30x12x9**  
 Sheet No: **1** of **1**  
 Rev No: **0**  
 Mat'l: