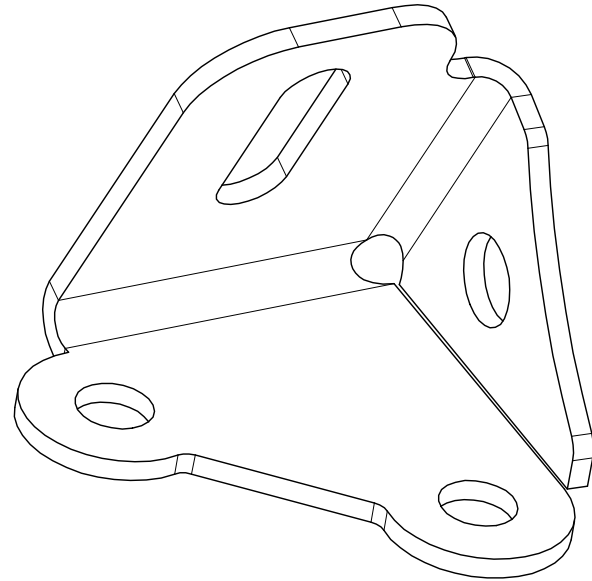
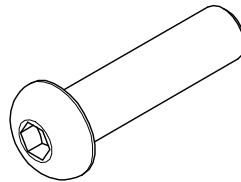


**MB2023-01**  
**Qty: 1**



**MB2023-01\_MIR**  
**Qty: 1**



**STAINLESS BUTTON HEAD SOCKET CAP SCREW**  
**M8-1.25 x 35mm**  
**Qty: 4**



Dwg/Part No:

**MB2023 - Shipping**

Description:

**JK A-Pillar Cube Light Mount**

Sheet No: **1** of **1**

Rev No: **0**

Mat'l: