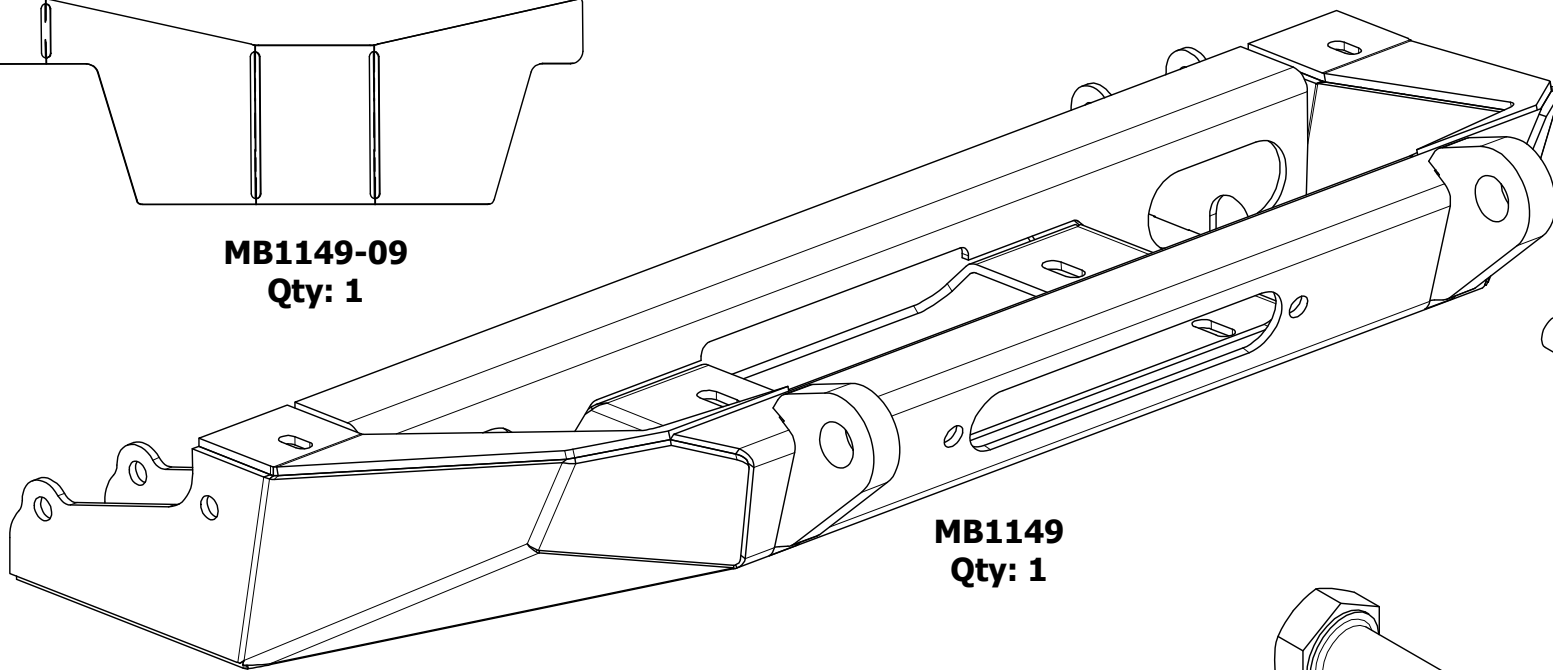
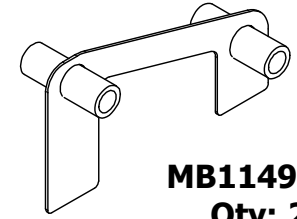


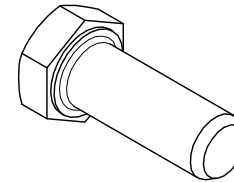
**MB1149-09**  
Qty: 1



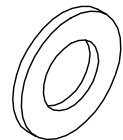
**MB1149**  
Qty: 1



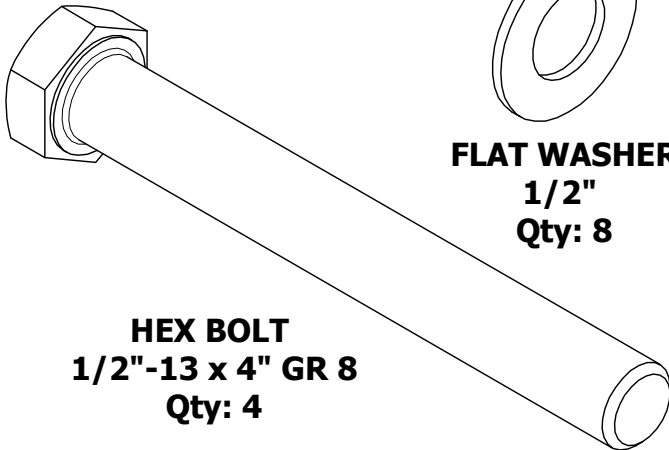
**MB1149-08**  
Qty: 2



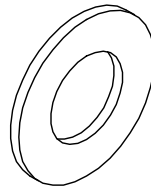
**HEX BOLT**  
3/8"-16 x 1" GR 8  
Qty: 2



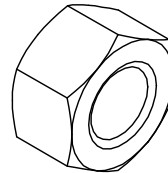
**FLAT WASHER**  
3/8"  
Qty: 2



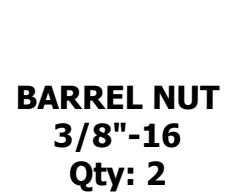
**HEX BOLT**  
1/2"-13 x 4" GR 8  
Qty: 4



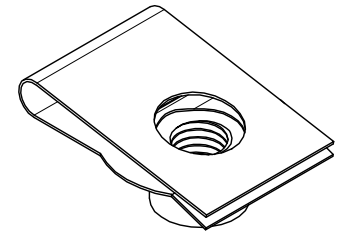
**FLAT WASHER**  
1/2"  
Qty: 8



**NYLOCK HEX NUT**  
1/2"-13 GR 8  
Qty: 4



**BARREL NUT**  
3/8"-16  
Qty: 2



Dwg/Part No:

**MB1149 - Shipping**

Description:

**Tomahawk Frame Chop Bumper**Sheet No: **1** of **1**Rev No: **0**

Mat'l: