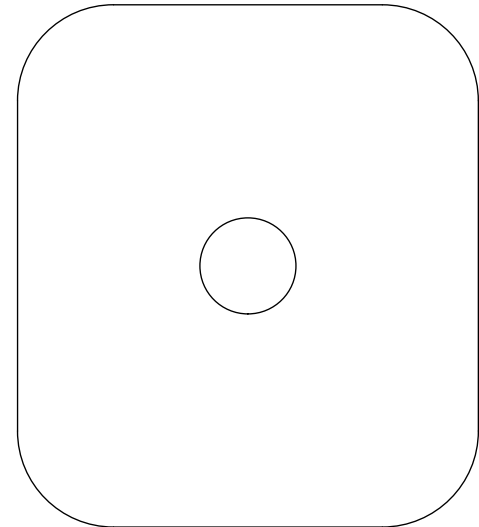
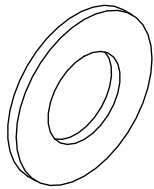


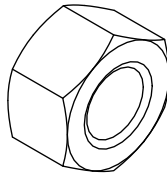
#MB1072
JK/JKU CRUSHER REAR BUMPER
QTY 1



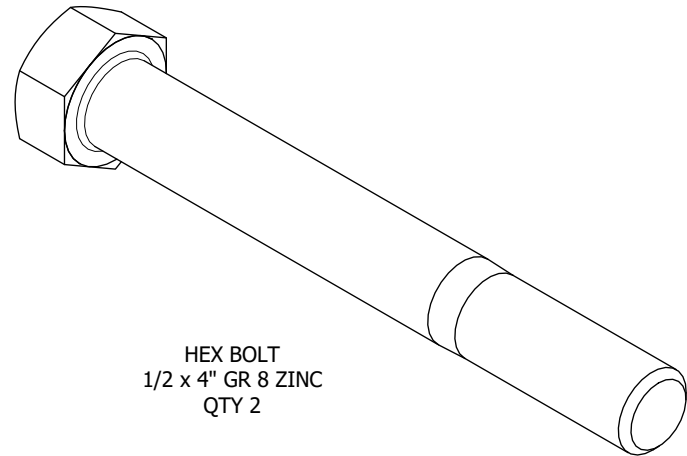
#MB1072-08
FRAME WASHER
QTY 2



FLAT WASHER
1/2"
QTY 2



NYLOCK HEX NUT
1/2" GR 8 ZINC
QTY 2



HEX BOLT
1/2 x 4" GR 8 ZINC
QTY 2



Dwg/Part No:

MB1072 - Customer

Description:

JEEP JK/JKU CRUSHER REAR BUMPER

Sheet No: **1** of **1**

Rev No: **0**

Mat'l: