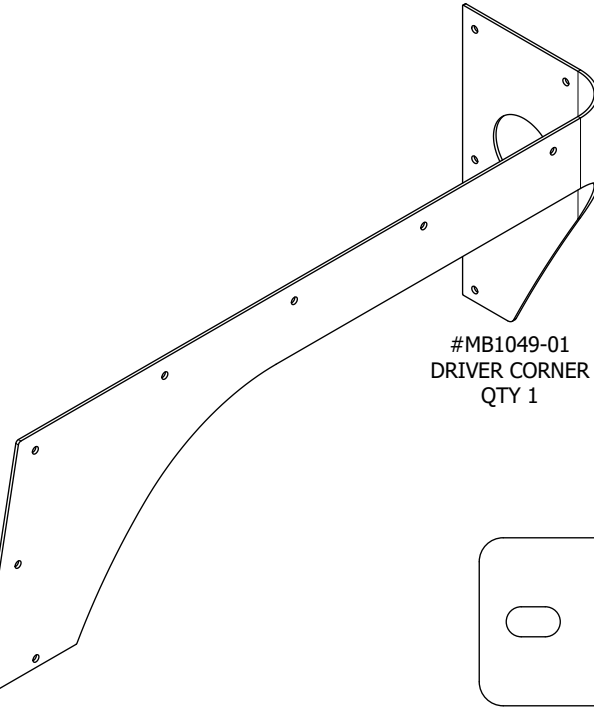
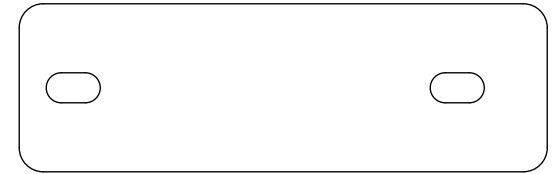


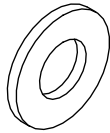
#MB1049-02  
PASSENGER CORNER  
QTY 1



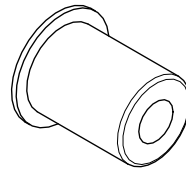
#MB1049-01  
DRIVER CORNER  
QTY 1



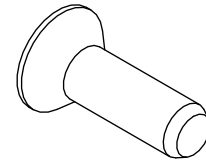
#MB1051-03  
HINGE SPACER PLATE  
QTY 2



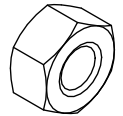
FLAT WASHER  
5/16"  
QTY 17



5/16" RIVNUT  
QTY 10



FLAT HEAD SOCKET CAP SCREW  
5/16 x 1" STAINLESS  
QTY 25



NYLOCK HEX NUT  
5/16" GR 8 ZINC  
QTY 17



Dwg/Part No:

**MB1051 - Customer**

Description:

**Jeep TJ Comp Cut Corners**

Sheet No: **1** of **1**

Rev No: **0**

Mat'l: **3/16" Steel**