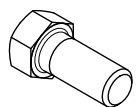

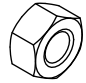
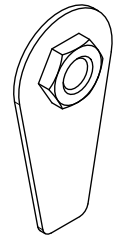
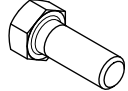

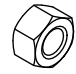
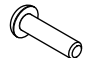
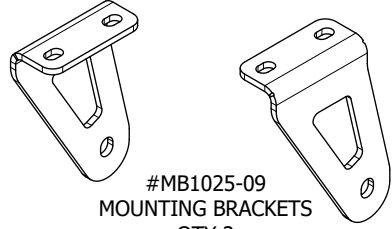
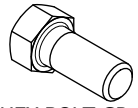


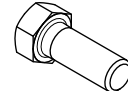

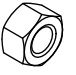
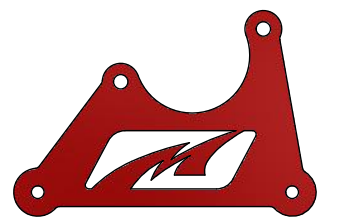


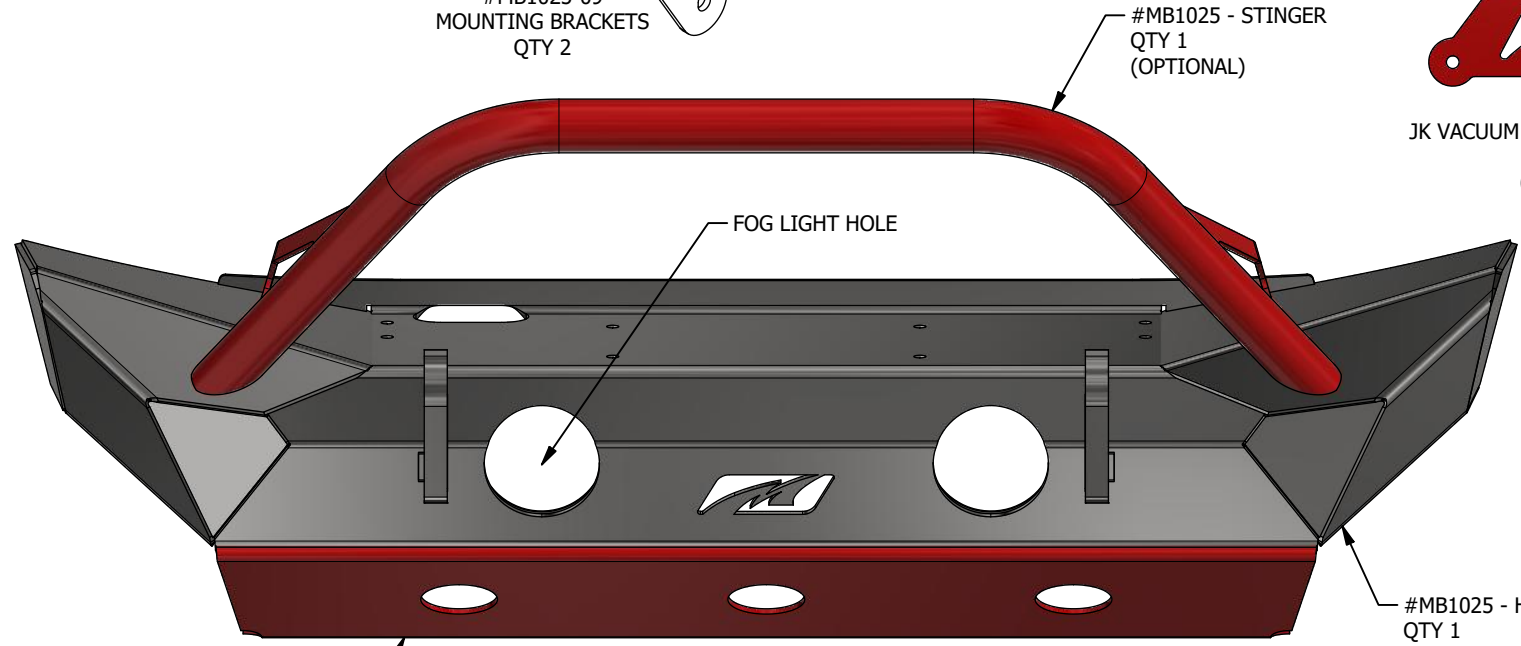
-  HEX BOLT GR 8
7/16" x 1" ZINC FINISH
QTY 2
-  7/16" FLAT WASHER
QTY 10
-  NYLOCK HEX NUT
7/16" GR 8 ZINC FINISH
QTY 8
-  7/16" FLAG NUT
QTY 2
-  HEX BOLT GR 8
3/8" x 1" ZINC FINISH
QTY 4
-  3/8" FLAT WASHER
QTY 4
-  NYLOCK HEX NUT
3/8" GR 8 ZINC FINISH
QTY 4
-  BUTTON HEAD SOCKET CAP SCREW
#10-24 x 3/4" BLACK OXIDE FINISH
QTY 8
-  #MB1025-09
MOUNTING BRACKETS
QTY 2

-  HEX BOLT GR 8
7/16" x 1" ZINC FINISH
QTY 2
-  7/16" FLAT WASHER
QTY 2
-  NYLOCK HEX NUT
7/16" GR 8 ZINC FINISH
QTY 2
-  HEX BOLT GR 8
3/8" x 1" ZINC FINISH
QTY 2
-  3/8" FLAT WASHER
QTY 2
-  NYLOCK HEX NUT
3/8" GR 8 ZINC FINISH
QTY 2

ONLY INCLUDED WITH #MB1036 OPTION



#MB2060
JK VACUUM RELOCATION BRACKET
QTY 1
(OPTIONAL)



#MB1036 - HAMMER BUMPER SKID PLATE
QTY 1
(OPTIONAL)

#MB1025 - STINGER
QTY 1
(OPTIONAL)

#MB1025 - HAMMER BUMPER
QTY 1



Dwg/Part No:
MB1025 - Customer
Description:
Jeep JK Front Bumper

Mat'l:

Sheet No: **1** of **1**
Rev No: **0**