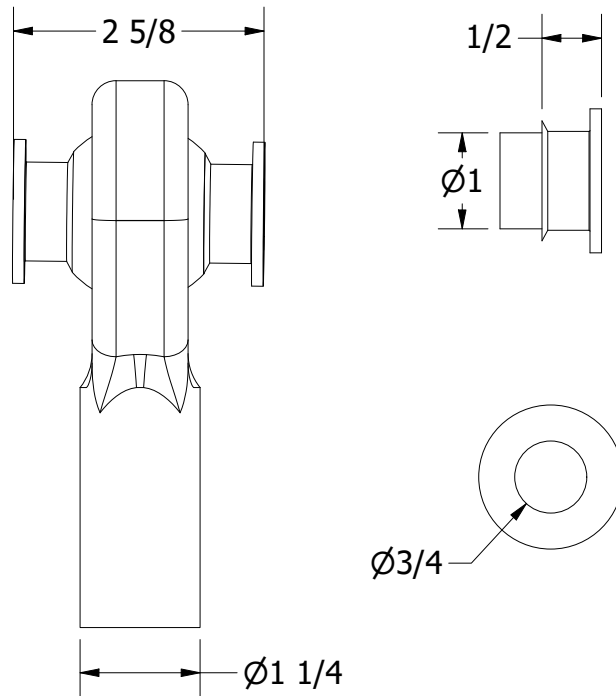


HEIM JOINT FOR 4 LINK SUSPENSION**LOWER 4 LINK SUSPENSION HEIM JOINT****UPPER 4 LINK SUSPENSION HEIM JOINT**