

MB8014 - Assembly Instructions Holley Pro Dash 6.86" Bezel Kit

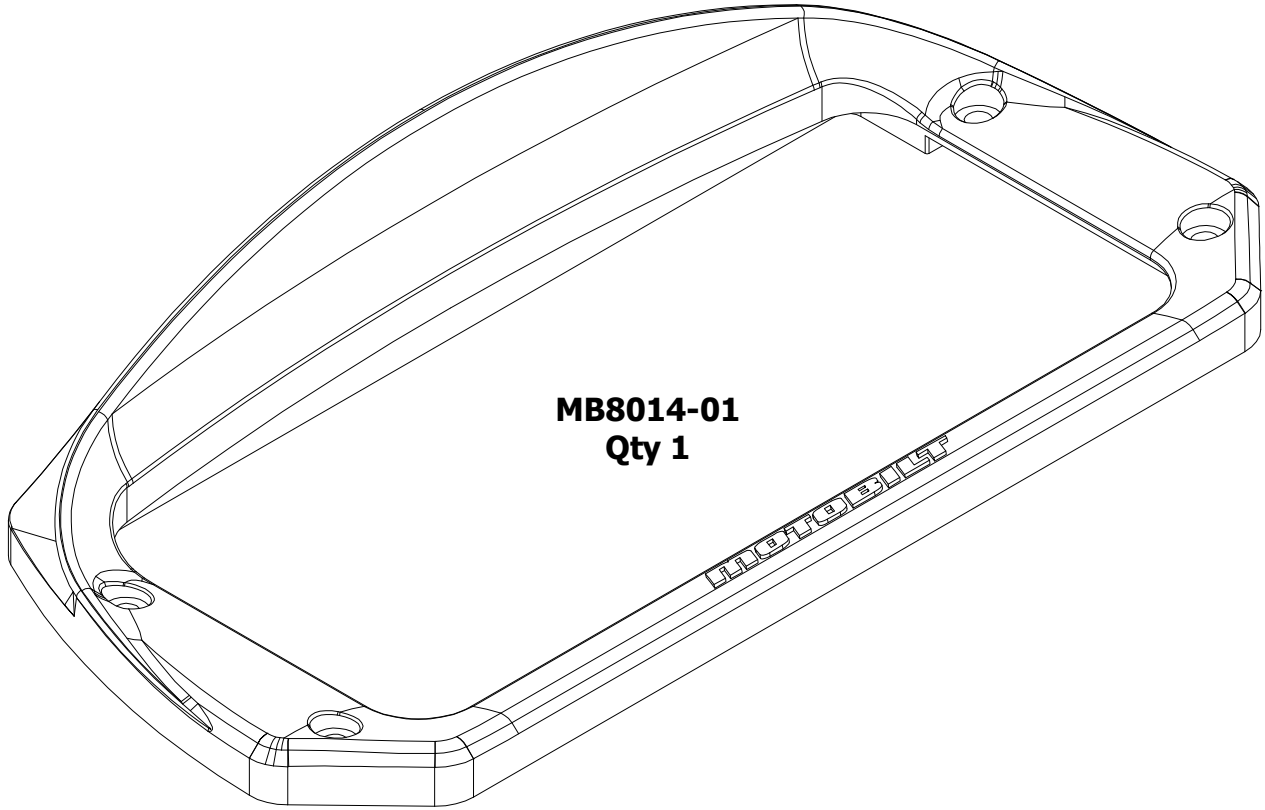
MB8014 - HOLLEY PRO DASH 6.86" BEZEL KIT



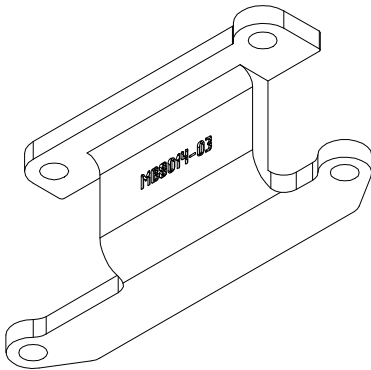
ASSEMBLY INSTRUCTIONS

MB8014 - Shipping Holley Pro Dash 6.86" Bezel Kit

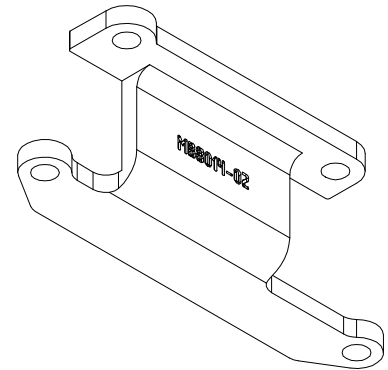
CONTENTS



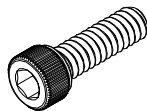
MB8014-01
Qty 1



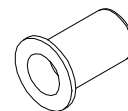
MB8014-03
Qty 1



MB8014-02
Qty 1



#10-24 x 5/8" - Socket Head Screw - Black
Qty 4



#10-24 Rivnut
Qty 6 (2 Spares)

MB8014 - Assembly Instructions Holley Pro Dash 6.86" Bezel Kit

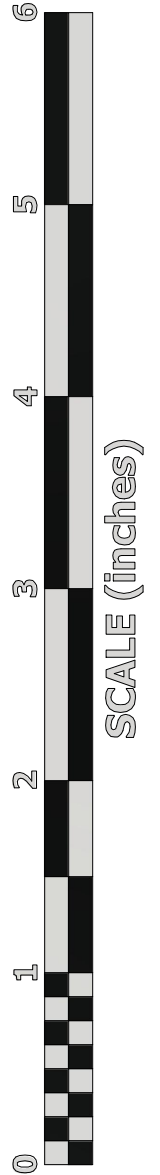
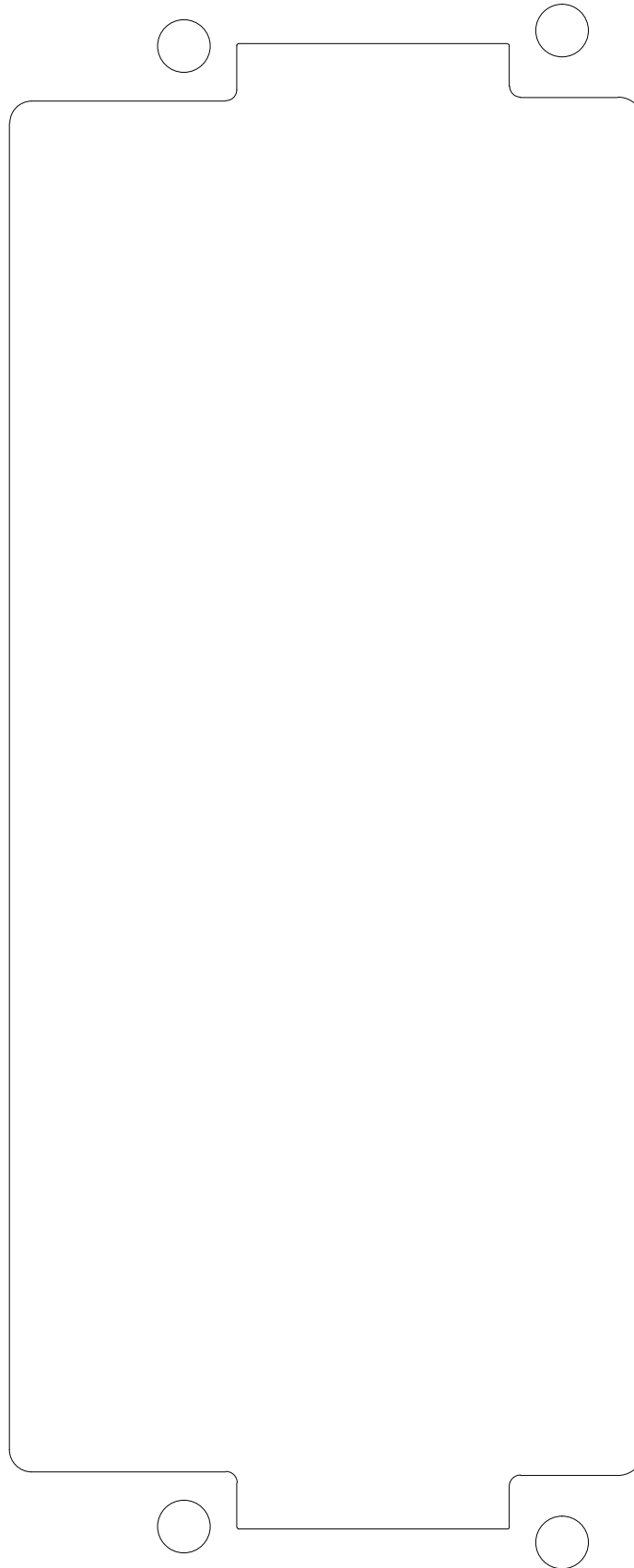
CUTOUT TEMPLATE

PRINT THIS SHEET AT A 1:1 SCALE ON 8-1/2" x 11" PAPER.

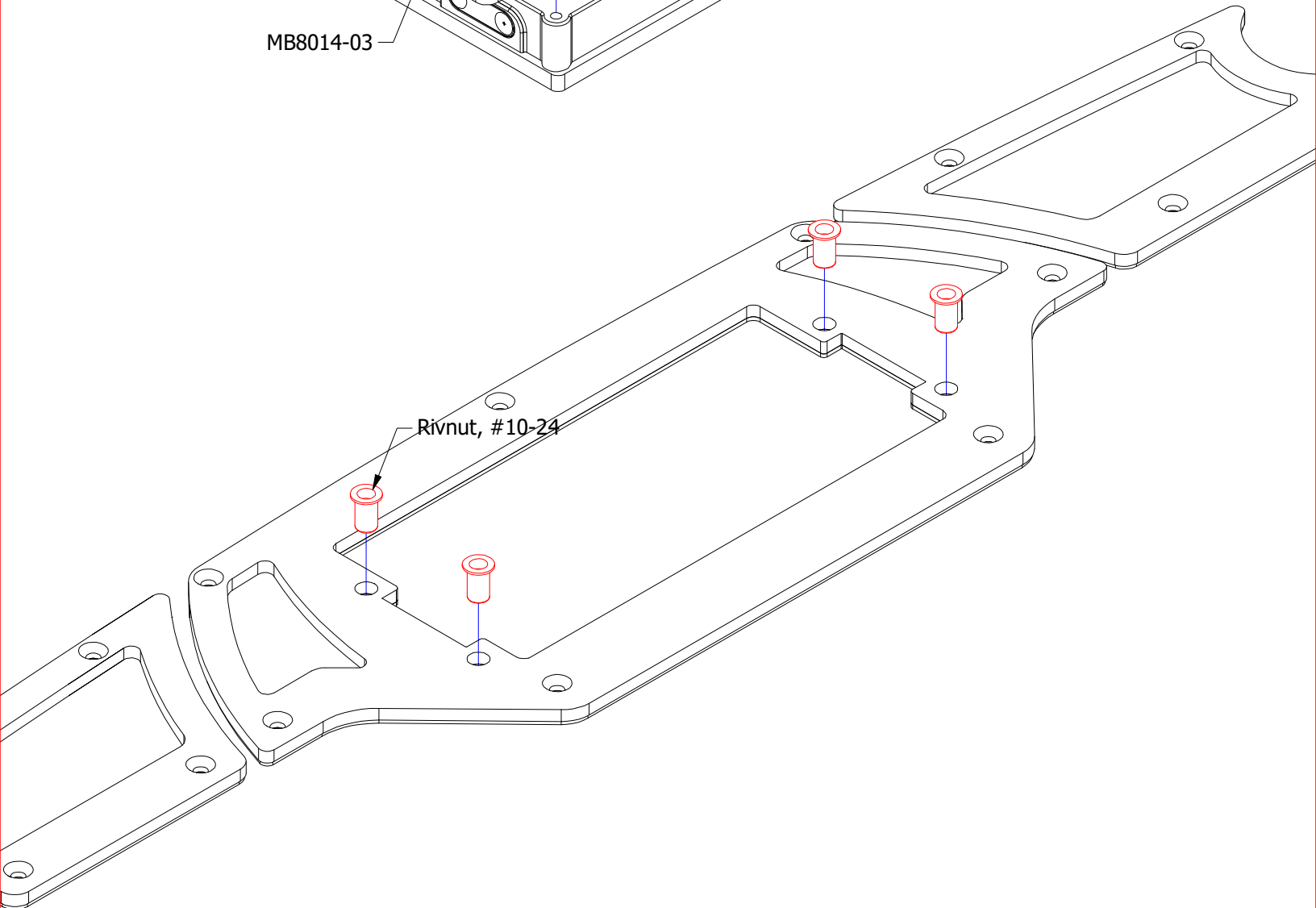
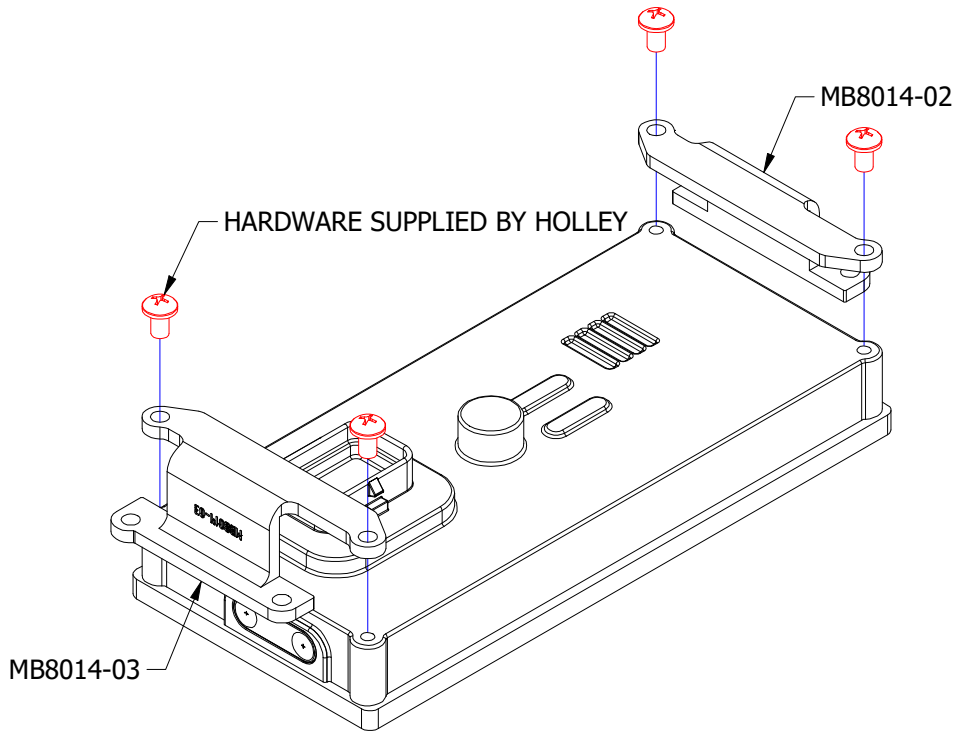
CHECK YOUR PRINT IS 100 TO SCALE BY USING THE REFERENCE SCALE ON THE BOTTOM OF THE SHEET.

USE THIS TEMPLATE AS A GUIDE TO MARK YOUR HOLE CENTERS & CUTOUT.

TOP



MB8014 - Assembly Instructions Holley Pro Dash 6.86" Bezel Kit



MB8014 - Assembly Instructions Holley Pro Dash 6.86" Bezel Kit

