

MB8013 - Assembly Instructions Switch Pros Tube Mount

MB8013 - SWITCH PROS TUBE MOUNT

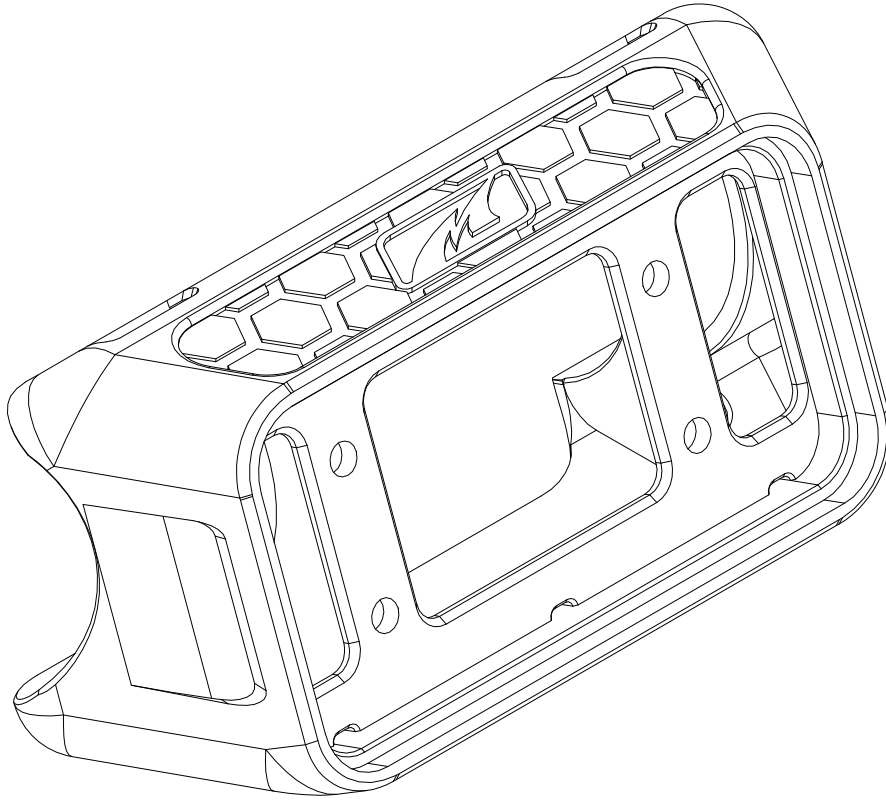
MB8013-01 - 1.75" TUBE / MB8013-02 - 2" TUBE



ASSEMBLY INSTRUCTIONS

MB8013 - Shipping Switch Pros Tube Mount

CONTENTS



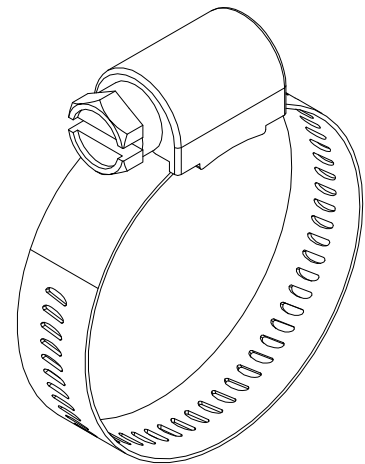
MB8013-01
Qty 1



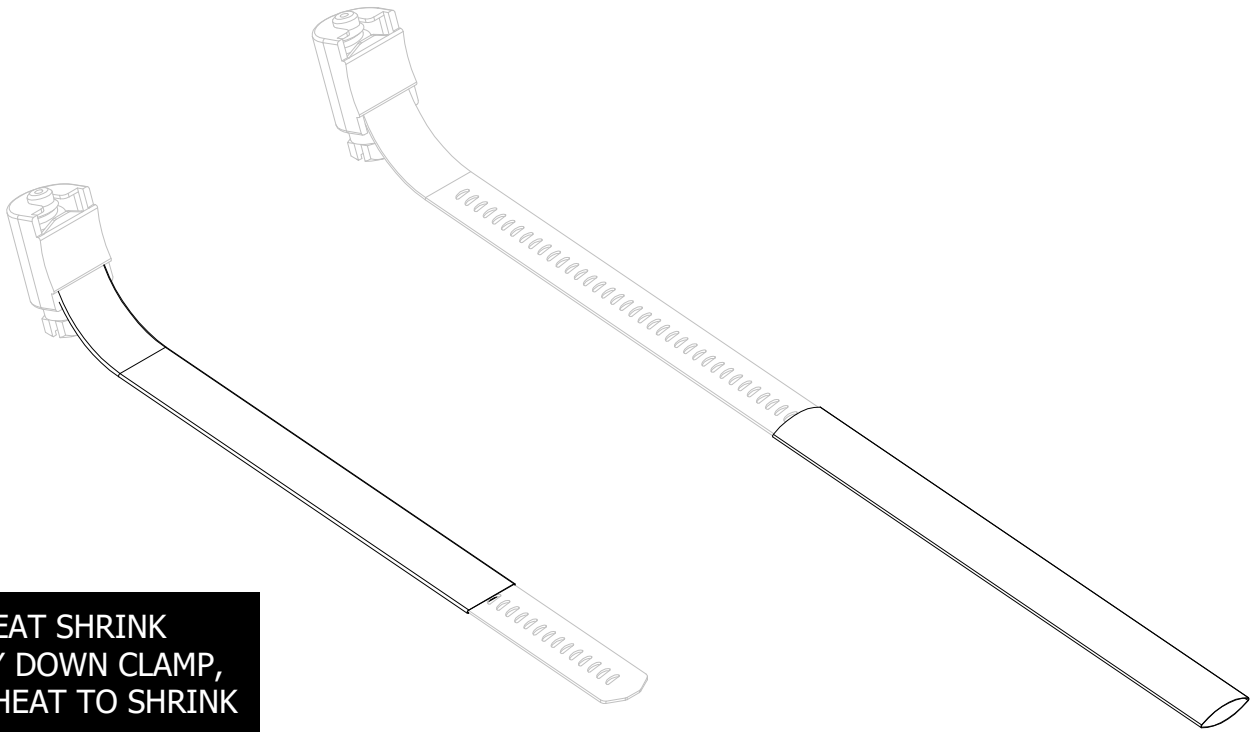
#6-32 x .25" Button Head Screw
Qty 4



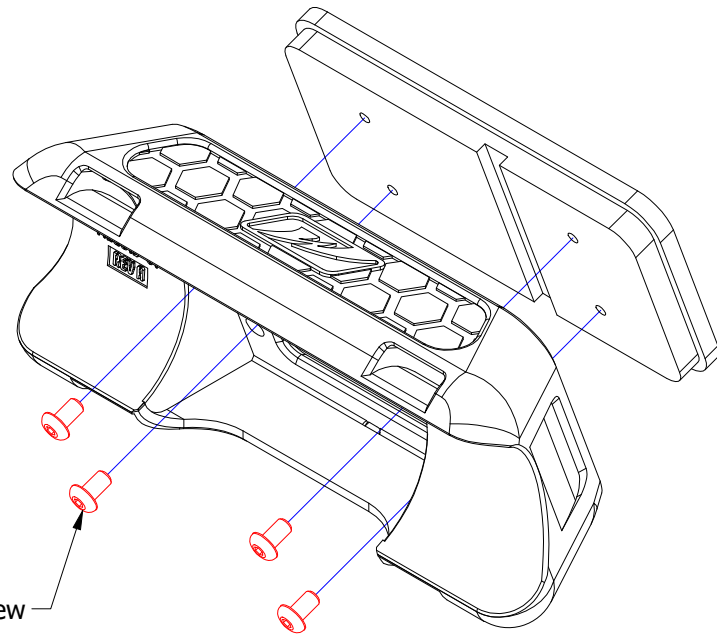
Qty 2



46-70 SS Hose Clamp
Qty 2

MB8013 - Assembly Instructions Switch Pros Tube Mount

SLIDE HEAT SHRINK
COMPLETELY DOWN CLAMP,
THEN APPLY HEAT TO SHRINK



#6-32 x .25" Button Head Screw

MB8013 - Assembly Instructions Switch Pros Tube Mount

THE MB8013 WAS DESIGNED TO CONCEAL THE SCREW CLAMP FOR A CLEAN INSTALLATION.
INSTALL CLAMPS IN THE ORIENTATION THAT WORKS BEST FOR YOUR APPLICATION.
UNIVERSAL INSTALLATION WILL VARY RESULTS.

